

700023 STAINLESS STEEL BALL VALVE

2-piece stainless steel FNPT threaded ball valve, full port.

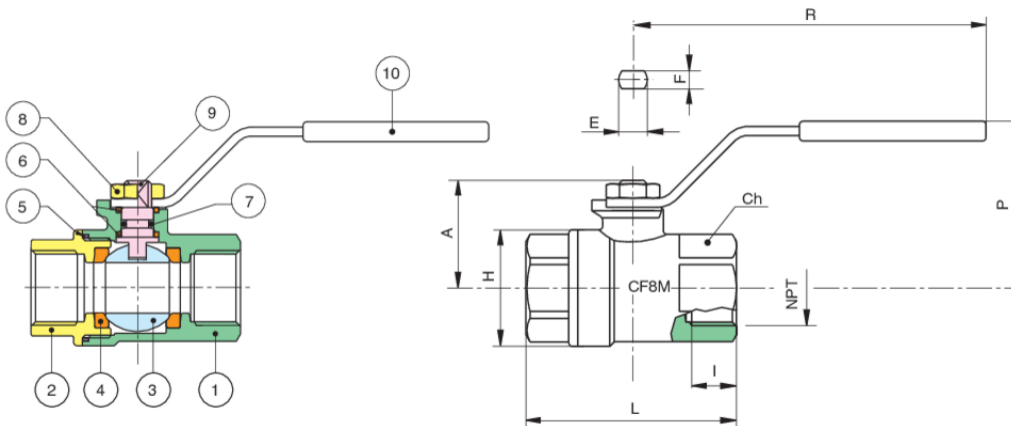
- Pressure rating 1000 psi, 150 psi steam.
- Temperature range -4°F to +366°F.
- Blow-out proof stem.
- PTFE seats, packing, and thrust washer.
- 100% electronically tested in the open and closed position at 80 psi.
- ANSI B1.20.1 connections.

700023: size 1/4" to 2".

COMPLIES WITH NACE MR 0175/ISO 15156 AND NACE MR 0103.



Technical specifications



POSITION	PART NAME	MATERIAL	N.° PIECES
1	BODY	CF8M	1
2	END CONNECTION	CF8M	1
3	BALL	AISI 316-CF8M	1
4	BALL SEAT	PTFE	2
5	SEAT	PTFE	1
6	STEM SEAL	PTFE	2
7	O-RING	FKM (Viton)	1
8	NUT	AISI 304	1
9	STEM	AISI 316	1
10	HANDLE	AISI 430	1

SIZE	A	H	L	R	CH	I	E	F	P	CV	PSI	WEIGHT (LBS)
1/4"	1.10	1.18	2.10	4.35	0.86	0.39	0.31	0.19	1.75	6.36	1000	0.48
3/8"	1.10	1.18	2.10	4.35	0.86	0.39	0.31	0.19	1.75	9.83	1000	0.44
1/2"	1.20	1.27	2.36	4.35	1.06	0.51	0.31	0.19	1.85	22.21	1000	0.55
3/4"	1.45	1.57	2.75	5.17	1.25	0.55	0.39	0.27	2.14	40.50	600	1.00
1"	1.61	1.92	3.11	5.17	1.61	0.66	0.39	0.27	2.30	74.63	600	1.88
1 1/4"	1.96	2.44	3.58	6.87	1.96	0.74	0.47	0.31	2.70	120.10	350	2.66
1 1/2"	2.24	2.95	4.05	6.87	2.16	0.76	0.47	0.31	3.01	201.32	350	4.00
2"	2.59	3.74	4.88	6.87	2.75	0.88	0.47	0.31	3.38	348.60	350	6.00