

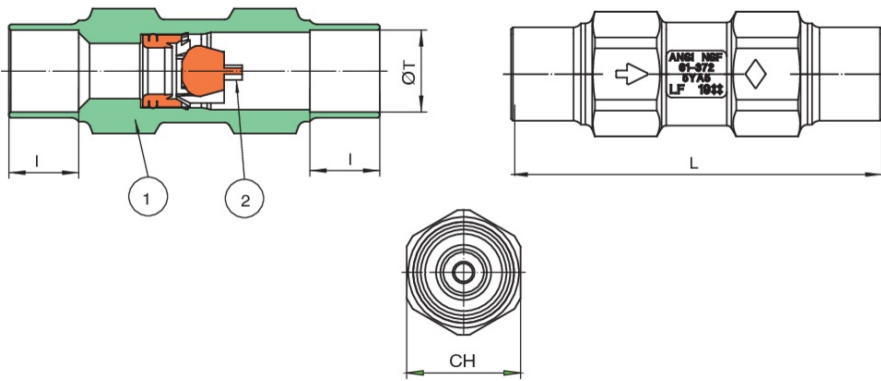


100722 LF CHECK VALVE

Unibody check valve, high flow rate, lead free brass, solder ends, in-line spring loaded check valve.

- Pressure rating 400 WOG.
 - Low cracking pressure 1/2 psi.
 - Wide temperature range: -4°F to 210°F.
 - ANSI B16.18 connections.
 - Soft seat for bubble tight shutoff, spring loaded for fast seating action.
 - Flow pattern to minimize head loss.
 - Perfect sealing both at high and low pressure.
 - High technology materials to ensure best resistance in any condition.
- 100722 LF: size 1/2" to 2".

Technical specifications



POSITION	PART NAME	MATERIAL	N.° PIECES
1	BODY	LF BRASS C28500*	1
2	CHECK VALVE	POM	1

* **Lead free** refers to the wetted surface of pipe, fittings and fixtures in potable water systems that have a weighted average lead content not more than 0.25%. Source: California health & Safety code (116875). Vermont Act 193.

SIZE	S	L	ØH	I	CH	PSI	CV	WEIGHT (LBS)
1/2"	0.71	3.13	0.63	0.5	1.18	400	5.32	0.43
3/4"	0.91	3.98	0.88	0.75	1.22	400	10.17	0.6
1"	0.94	4.67	1.13	0.91	1.5	400	17.34	0.95
1 1/4"	1.22	4.55	1.38	0.97	1.89	400	25.43	1.5
1 1/2"	1.5	5.47	1.63	1.1	2.13	400	36.99	2.08
2"	1.69	6.24	2.13	1.34	2.64	400	63.58	3.33

WARNING: This product can expose you to chemicals including lead, which is known to the State of California to cause cancer and birth defects or other reproductive harm. For more information go to www.p65warnings.ca.gov.

Certifications



UL certified

HEALTH EFFECTS
UL-CA NSF372
NSF61

HEALTH EFFECTS