

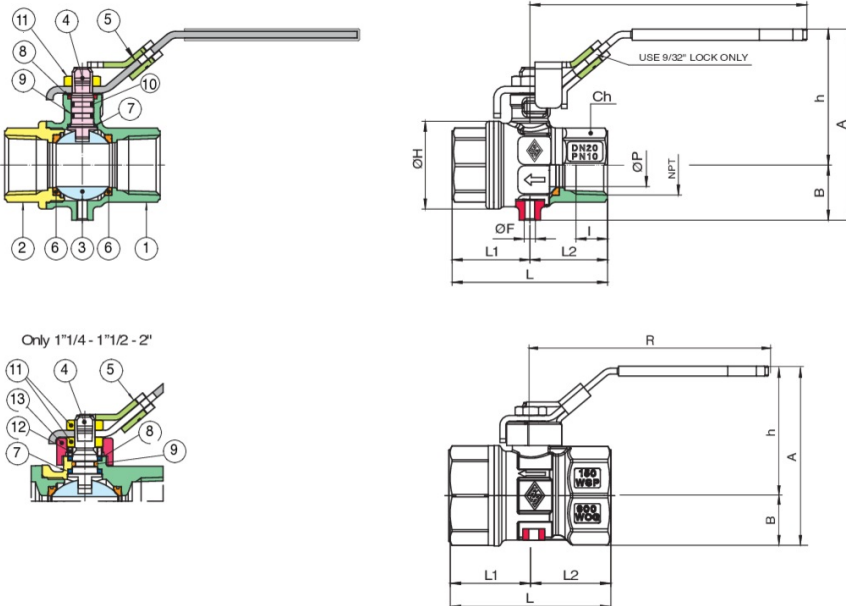
## 511L SAFETY EXHAUST

Exhaust brass ball valve, full port with bleed hole, FNPT threaded, with latch lock handle.

- Pressure rating 200 psi.
- Temperature range -4°F to +350°F.
- ANSI B1.20.1 connections.
- Blow-out proof stem, chrome plated brass ball.
- RPTFE seats, seals and thrust washer.
- Adjustable stem packing.
- 100% electronically tested in the open position 80 psi.
- Valve to be used in fully open or fully closed position.
- With reference to OSHA requirement.

511L: LOCK HANDLE - size 1/4" to 2".

### Technical specifications

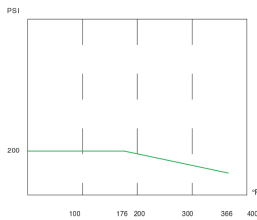


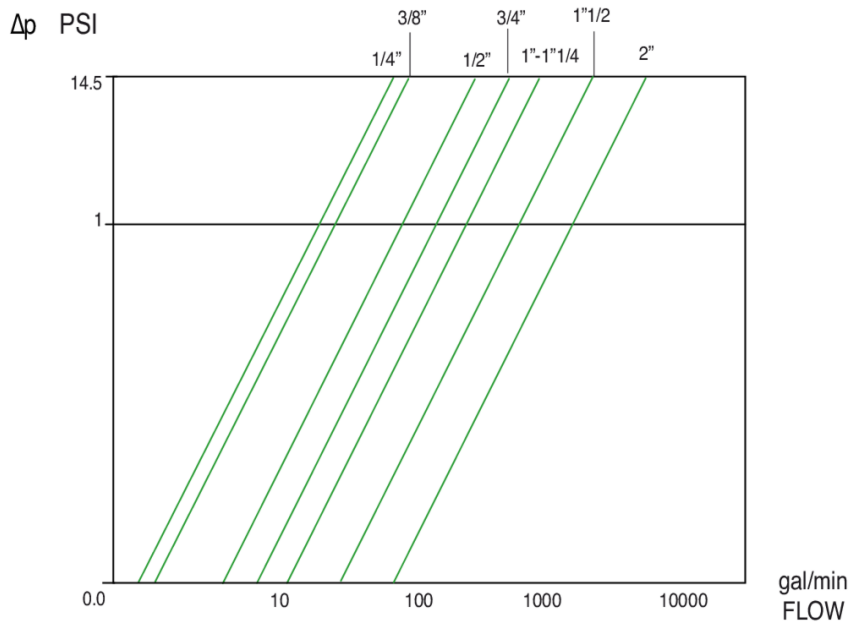
The Buna O-ring is fitted to the stem of the valve as the best possible protection against potential gas leakage under extreme duty, or low pressure applications. A secondary PTFE stem seal will also assure that the valve is suitable for use up to 366°F.

POSITION	PART NAME	MATERIAL	N.° PIECES
1	BODY	BRASS C37700	1
2	END CONNECTION	BRASS C37700	1
3	BALL	BRASS C38500	1
4	STEM	BRASS C38500	1
5	HANDLE	FE DD 11 UNI EN 10111	1
6	SEAT BALL	RPTFE	2
7	THRUST WASHER/STEM SEAL	PTFE	2
8	PACKING GLAND	BRASS C38500	1
9	O-RING	NBR	1
10	O-RING	FKM	1
11	NUT	STEEL CL 04	2
12	PACKING GLAND	BRASS C38500	1
13	LOCKING DEVICE	FE DD11 UNI EN 10111	1

SIZE	ØP	ØF	A	B	H	ØH	I	L	L1	L2	R	CH	CV	PSI	WEIGHT (LBS)
1/4"	0.39	10-32 UNF	2.42	0.61	1.81	0.91	0.39	2.03	1.08	0.94	3.78	0.79	6.24	200	0.4
3/8"	0.39	10-32 UNF	2.42	0.61	1.81	0.91	0.41	2.03	1.08	0.94	3.78	0.79	6.94	200	0.36
1/2"	0.55	10-32 UNF	2.74	0.79	1.96	1.3	0.54	2.44	1.22	1.22	3.78	0.98	18.15	200	0.54
3/4"	0.75	10-32 UNF	3.35	0.96	2.38	1.54	0.55	2.72	1.36	1.36	4.84	1.22	32.37	200	0.89
1"	0.94	10-32 UNF	3.71	1.14	2.57	1.93	0.66	3.07	1.54	1.54	4.84	1.5	47.97	200	1.28
1 1/4"	0.94	0.18	3.66	1.02	2.64	2.05	0.68	3.31	1.67	1.63	4.84	1.89	41.27	200	1.65
1 1/2"	1.25	0.24	4.27	1.12	3.15	2.32	0.68	3.54	1.77	1.77	5.94	2.13	81.5	200	1.92
2"	1.56	0.28	4.76	1.36	3.4	2.87	0.7	4.07	2.03	2.05	5.94	2.64	124.28	200	2.69

## Diagrams





## Certifications



TSSA