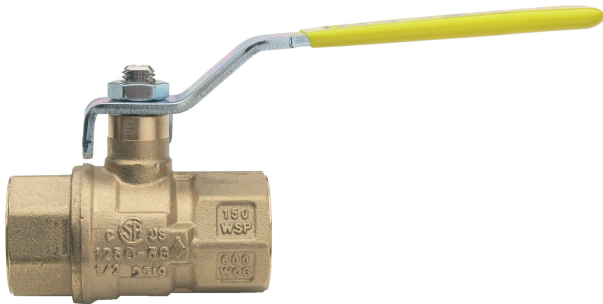


SUPER-SFER



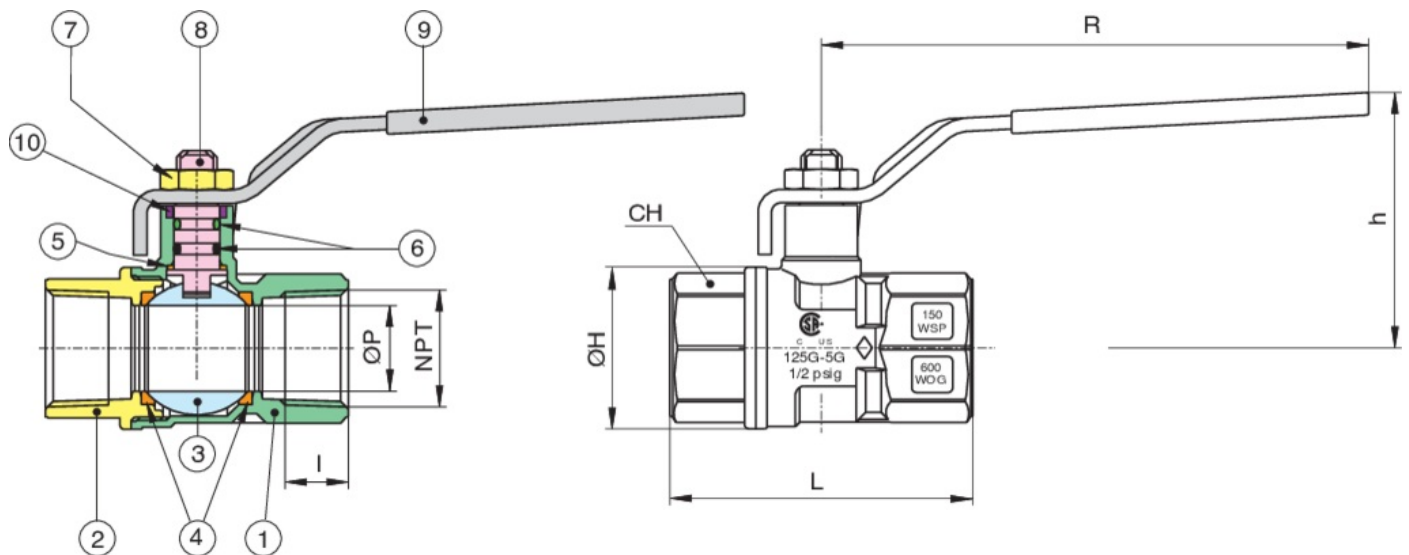
162N

Brass ball valve, FNPT threaded, full port.

- Pressure rating 600 WOG-150 WSP.
 - Temperature range -4°F to +366°F.
 - ANSI B1.20.1 connections.
 - Blow-out proof stem, chrome plated brass ball.
 - P.T.F.E seats and double O-ring stem packing.
 - 100% electronically tested in the open and closed position at 80 psi.
 - Not to be used for drinking water.
 - Valve to be used in fully open or fully closed position.
- 161N: LEVER HANDLE - size 1/2" to 4". 162N: T-HANDLE - size 1/2" to 1". For sizes 1/4", 3/8" see 171N.

Technical specifications

Drawing



Materials

POSITION	PART NAME	MATERIAL	N.° PIECES
1	BODY	BRASS C37700	1
2	END CONNECTION	BRASS C37700	1
3	BALL	BRASS C37700	1
4	BALL SEAT	P.T.F.E	2
5	THRUST WASHER	P.T.F.E	1

POSITION	PART NAME	MATERIAL	N.° PIECES
6	O-RING	FKM (VITON)	1
7	NUT	STEEL CL04	1
8	STEM	BRASS C38500	1
9	HANDLE	STEEL DD11	1
10	PACKING RING	P.T.F.E	1

Table

SIZE	ØP	I	L	ØH	CH	R	H	CV	PSI	WEIGHT (LBS)
1 1/2"	1.5	0.68	3.7	2.56	2.13	5.94	3.09	252.6	600	2.16
1 1/4"	1.19	0.68	3.37	2.09	1.89	5.94	2.85	97.8	600	1.66
1/2"	0.55	0.54	2.22	1.18	0.98	3.78	1.77	18.15	600	0.4
1"	0.94	0.66	3.01	1.71	1.5	4.76	2.32	47.98	600	0.98
2 1/2"	2.44	0.93	5.16	4.09	3.27	8.07	4.59	593.06	600	6.67
2"	1.95	0.7	4.31	3.39	2.64	6.3	3.7	290.75	600	3.52
3/4"	0.75	0.55	2.46	1.42	1.22	4.76	2.22	32.37	600	0.68
3"	2.99	1.02	5.94	4.96	3.86	8.07	4.98	958.84	600	9.82
4"	2.99	1.09	6.5	4.96	4.92	8.07	4.98	1526.59	600	12.57

Notes

WARNING: This product can expose you to chemicals including lead, which is known to the State of California to cause cancer and birth defects or other reproductive harm. For more information go to www.p65warnings.ca.gov.

Certifications

Factory Mutual Research 400 | CSA International
WOG

| Underwriters Laboratories
Inc. |

Technical Standards and
Safety Authority