



JOB NAME:	CONTRACTOR:
JOB LOCATION:	APPROVAL:
ENGINEER:	CONTRACTOR P.O.:
APPROVAL:	REPRESENTATIVE:

PP760021V36DA	30-60° BALL	PP760021V36SR	30-60° BALL
PP760021V6DA	60° BALL	PP760021V6SR	60° BALL
PP760021V9DA	90° BALL	PP760021V9SR	90° BALL

760021V36/V6/V9, 2-WAY STAINLESS STEEL, ANSI 150 FLANGED, FOR STEAM, SPLIT BODY STYLE FULL PORT BALL VALVE WITH **DOUBLE ACTING PNEUMATIC ACTUATOR AND PNEUMATIC PNP-B 3-15 PSI POSITIONER**

SIZES 1/2" TO 6"

760021V36/V6/V9, 2-WAY STAINLESS STEEL, ANSI 150 FLANGED, FOR STEAM, SPLIT BODY STYLE FULL PORT BALL VALVE WITH **SPRING RETURN PNEUMATIC ACTUATOR AND PNEUMATIC PNP-B 3-15 PSI POSITIONER**

SIZES 1/2" TO 6"

SPECIFICATIONS

The PP760021V36/V6/V9 DA and SR series V-ball packages feature the Valpres 760021V36/V6/V9 ball valve with 25% carbon filled PTFE steam trim seats and seals. The valve is ANSI Class 150, meets B16.10 and B16.34, and incorporates a grounded ball and stem. The valve is rated up to 200WSP. The Valbia pneumatic actuator comes with a hard-anodized aluminum body, and powder coat-ed end caps. In addition, all Valbia pneumatic actuators are standardly furnished with elevated temperature seals to 302°F. The patented side loaded limit stops never enter the piston chamber eliminating extra possible leak paths. The assembled package also features a compact PNP-B positioner with an input signal of 3-15psig.

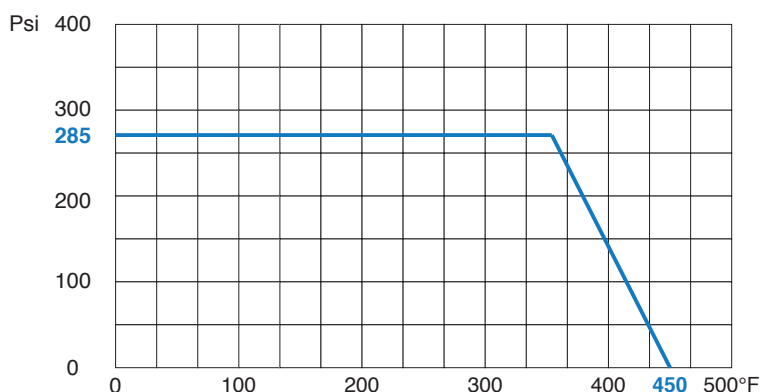
ACTUATOR FEATURES

- Hard anodized extruded aluminum body
- Concentric spring sets
- Die cast aluminum end caps
- Solid steel barstock pinion (not casting)
- 0°-90° rotation adjustment cam
- 0°-90° rotation adjustment bolts
- POM piston guides
- Minimum air pressure rating: 80 psi
- Maximum air pressure rating: 116 psi
- Working temperature: -4°F - 302°F
- No lubrication maintenance required for the entire actuator lifetime
- 100% factory tested

VALVE FEATURES

- Stainless Steel, ANSI class 150 flanged
- Full port, sizes 1/2" to 6"
- Temperature range -4°F to 450°F
- Blow-out proof stem, adjustable stem packing
- 25% Carbon Filled P.T.F.E. seats
- Steam pressure to 200 psi
- 100% tested
- PED 97/23/CE
- ANSI B16.5, B16.10, B16.34 design
- Fire Safe API 6FA-API 607 4th edition
- Antistatic Device
- ISO 5211 mounting pad with double "D" stem

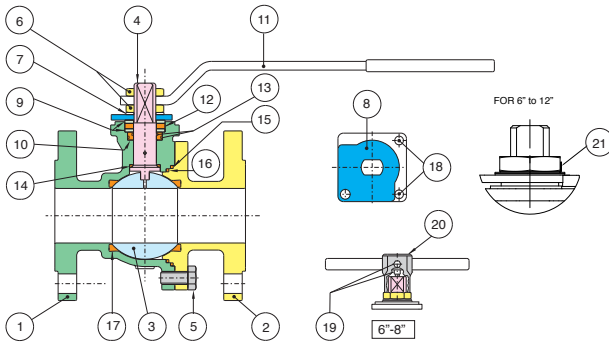
PRESSURE - TEMPERATURE CHART FOR SERIES 760021V36/V6/V9



PP760021V* DA - PP760021V* SR V-BALL SERIES MODEL OPTIONS

	90° V-BALL
	PP760021V9DA PP760021V9SR
	60° V-BALL
	PP760021V6DA PP760021V6SR
	30-60° V-BALL
	PP760021V36DA PP760021V36SR

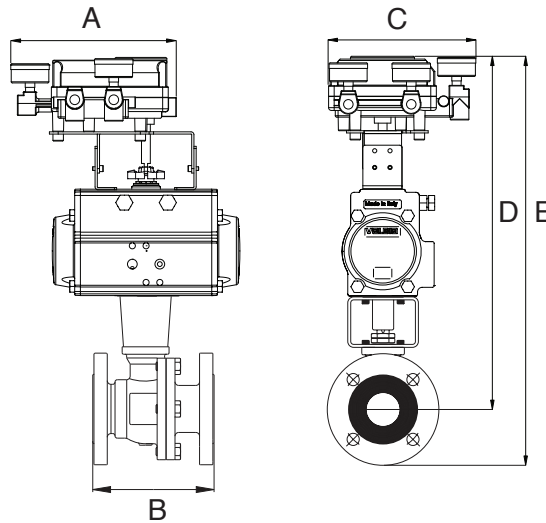
BILL OF MATERIALS FOR 760021V36/V6/V9



N POS	PART NAME	MATERIAL	N PCS
1	BODY	A351 CF8M	1
2	END CONNECTION	A351 CF8M	1
3	BALL	A479-316/A351 CF8M	1
4	STEM	A276-316	1
5	SCREW	STEEL	4-8
6	NUT	STEEL	1-2
7	SPRING WASHER	STEEL	2
8	TRAVEL STOP	STEEL	1
9	PACKING GLAND	STEEL	2
10	STEM SEAL	P.T.F.E.	1
11	HANDLE	STEEL	1

N POS	PART NAME	MATERIAL	N PCS
12	STEM SEAL	GRAPHOIL	1
13	O-RING	FKM (Viton®)	2
14	THRUST WASHER	P.T.F.E.	1
15	SEAL	GRAPHOIL	1
16	SEAL	P.T.F.E.	1
17	BALL SEATS	R.P.T.F.E.	2
18	SCREW	STEEL	2
19	SCREW	STEEL	2
20	BODY HANDLE	CAST IRON	1
21	UNSCREWING GROWER	A182-F316	1

DIMENSIONS



PP760021V36DA 760021V36 with **DA** Actuator & PNP-B Positioner
PP760021V6DA 760021V6 with **DA** Actuator & PNP-B Positioner
PP760021V9DA 760021V9 with **DA** Actuator & PNP-B Positioner

PP760021V36SR 760021V36 with **SR** Actuator & PNP-B Positioner
PP760021V6SR 760021V6 with **SR** Actuator & PNP-B Positioner
PP760021V9SR 760021V9 with **SR** Actuator & PNP-B Positioner

Size	A	B	C	D	E	ACT. DA
1/2"	7.32	4.25	6.52	9.82	11.59	32
3/4"	7.32	4.61	6.52	11.44	13.40	52
1"	7.32	5.00	6.52	12.14	14.31	52
1-1/2"	7.32	6.50	6.52	13.80	16.36	63
2"	7.32	7.01	6.52	14.82	17.77	75
3"	7.32	7.99	6.52	17.11	20.85	85
4"	7.32	9.02	6.52	18.17	22.70	100
6"	7.32	15.51	6.52	22.18	27.70	125

Size	A	B	C	D	E	ACT. SR
1/2"	7.32	4.25	6.52	11.87	13.84	52
3/4"	7.32	4.61	6.52	12.58	14.74	63
1"	7.32	5.00	6.52	15.06	17.62	63
1-1/2"	7.32	6.50	6.52	15.88	18.84	85
2"	7.32	7.01	6.52	19.47	23.21	100
3"	7.32	7.99	6.52	20.02	24.55	125
4"	7.32	9.02	6.52	23.99	29.51	125
6"	7.32	15.51	6.52	26.19	31.71	160

CV VERSUS VALVE OPENING PERCENTAGE

Size	Degree	10%	20%	30%	40%	50%	60%	70%	80%	90%
1/2"	30-60°	0	0.0	0.1	0.2	0.4	0.6	1.0	1.7	3
	60°	0	0.1	0.2	0.4	0.7	1.2	1.9	3.3	6
	90°	0	0.1	0.3	0.7	1.2	2.0	3.4	5.9	10
3/4"	30-60°	0	0.1	0.2	0.5	0.8	1.3	2.2	3.9	6
	60°	0	0.1	0.4	0.9	1.5	2.6	4.3	7.5	12
	90°	0	0.3	0.8	1.6	2.7	4.6	7.7	13.3	22
1"	30-60°	0	0.1	0.4	0.8	1.4	2.4	4.0	6.9	11
	60°	0	0.3	0.8	1.6	2.7	4.6	7.7	13.4	22
	90°	0	0.5	1.4	2.8	4.9	8.2	13.7	23.7	39
1-1/2"	30-60°	0	0.3	1.0	2.0	3.5	5.9	9.8	17.0	28
	60°	0	0.7	2.0	4.0	7.1	11.9	20.0	34.5	57
	90°	0	1.1	3.3	6.6	11.6	19.5	32.6	56.4	93
2"	30-60°	0	0.5	1.5	3.1	5.5	9.2	15.4	26.7	44
	60°	0	1.1	3.1	6.3	11.1	18.7	31.2	54.0	89
	90°	0	2.0	6.0	12.0	21.2	35.6	59.5	102.9	170
3"	30-60°	0	1.3	3.9	7.8	13.8	23.2	38.9	67.2	111
	60°	0	2.7	7.9	16.0	28.2	47.4	79.3	137.1	227
	90°	0	4.7	13.6	27.3	48.1	80.9	135.4	234.1	387
4"	30-60°	0	2.1	6.1	12.3	21.6	36.3	60.8	105.2	174
	60°	0	4.3	12.4	25.0	44.1	74.1	124.1	214.5	355
	90°	0	8.1	23.6	47.5	88.8	140.8	235.7	407.50	675
6"	30-60°	0	4.7	13.7	27.6	28.7	81.9	137.0	236.9	392.0
	60°	0	9.6	28.0	56.3	99.3	166.8	279.3	482.8	799.0
	90°	0	17.7	51.6	103.8	183.1	307.6	514.9	890.2	1473.0