



JOB NAME:	CONTRACTOR:
JOB LOCATION:	APPROVAL:
ENGINEER:	CONTRACTOR P.O.:
APPROVAL:	REPRESENTATIVE:

<b>PP724102V36DA</b>	<b>30-60°</b>	<b>PP724102V36SR</b>	<b>30-60°</b>
<b>PP724102V6DA</b>	<b>60°</b>	<b>PP724102V6SR</b>	<b>60°</b>
<b>PP724102V9DA</b>	<b>90°</b>	<b>PP724102V9SR</b>	<b>90°</b>

**724102V36/V6/V9, 2-WAY CARBON STEEL, ANSI 150 FLANGED, DIRECT MOUNT WAFER STYLE, FULL PORT BALL VALVE WITH DOUBLE ACTING PNEUMATIC ACTUATOR AND PNEUMATIC PNP-B 3-15 PSI POSITIONER**

**SIZES 1/2" TO 4"**

**724102V36/V6/V9, 2-WAY CARBON STEEL, ANSI 150 FLANGED, DIRECT MOUNT WAFER STYLE, FULL PORT BALL VALVE WITH SPRING RETURN PNEUMATIC ACTUATOR AND PNEUMATIC PNP-B 3-15 PSI POSITIONER**

**SIZES 1/2" TO 4"**

## SPECIFICATIONS

The Bonomi PP724102V36/V6/V9 series pneumatic packages features the ANSI Class 150 30-60, 60, and 90 degree V-port carbon steel space saving, 724102V36/V6/V9 series direct mount, low torque, wafer style ball valve. This ball valve series feature a double O-ring stem seal, grounded ball & stem, and incorporates an ISO 5211 mounting pad and square stem. Sizes are 1"-4"

The Valbia pneumatic actuator comes with a hard-anodized aluminum body, and powder coated end caps. In addition, all Valbia pneumatic actuators are standardly furnished with elevated temperature seals to 302°F. The patented side loaded limit stops never enter the piston chamber eliminating extra possible leak paths. The assembled package also features a compact PNP-B positioner with an input signal of 3-15psig.

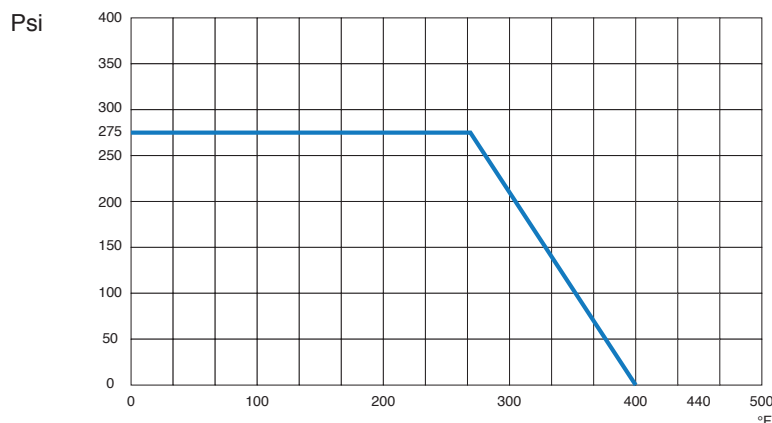
## ACTUATOR FEATURES

- Hard anodized extruded aluminum body
- Concentric spring sets
- Die cast aluminum end caps
- Solid steel barstock pinion (not casting)
- 0°-90° rotation adjustment cam
- 0°-90° rotation adjustment bolts
- POM piston guides
- Minimum air pressure rating: 80 psi
- Maximum air pressure rating: 116 psi
- Working temperature: -4°F - 302°F
- No lubrication maintenance required for the entire actuator lifetime
- 100% factory tested

## VALVE FEATURES

- Direct mount, Stainless steel ANSI class 150 Wafer-style flanged ball valve
- 30-60, 60, and 90 degree V-port, sizes 1" to 4"
- Temperature range -4°F to +366°F
- Anti-static Stem Device
- Blow out proof stem
- 23% Carbon-filled P.T.F.E. and 2% Graphite-filled P.T.F.E. seats
- P.T.F.E. seats and double O-ring stem packing
- 100% electronically tested in the open and closed position at 80 psi
- ISO 5211 mounting pad/square stem
- Low Torque Design
- 17-4 PH stem

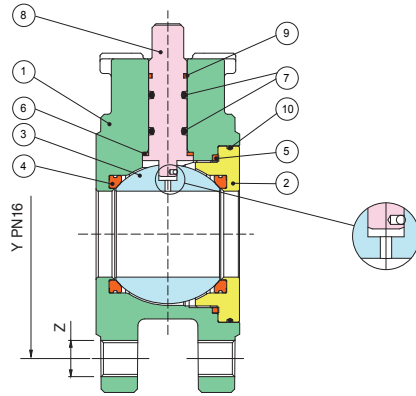
## PRESSURE - TEMPERATURE CHART FOR SERIES 724102V36/V6/V9



## PP724102V \* DA - PP724102V \* SR V-BALL SERIES MODEL OPTIONS

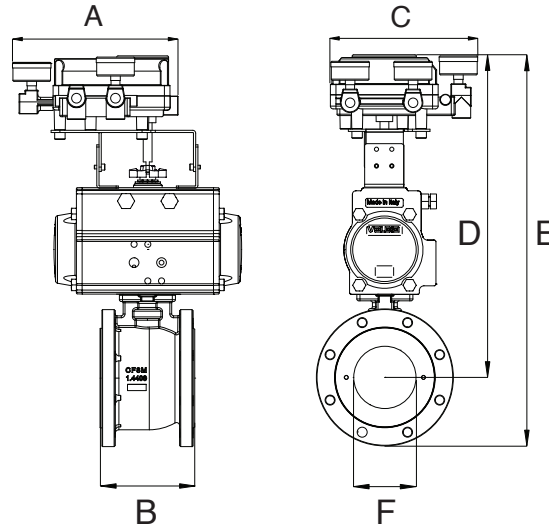
	<b>90° V-BALL</b> <b>PP724102V9DA</b> <b>PP724102V9SR</b>
	<b>60° V-BALL</b> <b>PP724102V6DA</b> <b>PP724102V6SR</b>
	<b>30-60° V-BALL</b> <b>PP724102V36DA</b> <b>PP724102V36SR</b>

## BILL OF MATERIALS FOR 724102V36-V6-V9



N POS	PART NAME	MATERIAL	N PCS
1	BODY	A352-LCB	1
2	END CONNECTION	ASTM A105	1
3	BALL	A351-CF8/A182-F304	1
4	BALL SEAT	23% CARBON FILLED + 2% GRAPHITE FILLED P.T.F.E.	2
5	BODY SEAT	P.T.F.E.	1
6	THRUST WASHER	TFM®	1
8	STEM	A564-Tp630 H1150D (17-4-PH)	1
9	STEM SEAT	Virgin P.T.F.E.	1

## DIMENSIONS



**PP724102V36DA** 724102V36 with **DA** Actuator & PNP-B Positioner  
**PP724102V6DA** 724102V6 with **DA** Actuator & PNP-B Positioner  
**PP724102V9DA** 724102V9 with **DA** Actuator & PNP-B Positioner

**PP724102V36SR** 724102V36 with **SR** Actuator & PNP-B Positioner  
**PP724102V6SR** 724102V6 with **SR** Actuator & PNP-B Positioner  
**PP724102V9SR** 724102V9 with **SR** Actuator & PNP-B Positioner

Size	A	B	C	D	E	F	ACT. DA
1"	7.32	1.89	6.55	10.51	12.84	1.00	52
1-1/4"	7.32	2.13	6.55	11.02	13.86	1.25	52
1-1/2"	7.32	2.50	6.55	11.33	14.48	1.50	52
2"	7.32	3.23	6.55	12.10	15.57	2.00	63
2-1/2"	7.32	4.06	6.55	13.08	17.18	2.50	63
3"	7.32	4.80	6.55	14.06	18.78	3.00	75
4"	7.32	5.98	6.55	15.18	20.47	4.00	85

Size	A	B	C	D	E	F	ACT. SR
1"	7.32	1.89	6.55	10.96	13.29	1.00	63
1-1/4"	7.32	2.13	6.55	11.47	14.31	1.25	63
1-1/2"	7.32	2.50	6.55	12.49	15.64	1.50	75
2"	7.32	3.23	6.55	12.81	16.28	2.00	75
2-1/2"	7.32	4.06	6.55	13.96	18.06	2.50	85
3"	7.32	4.80	6.55	15.11	19.83	3.00	100
4"	7.32	5.98	6.55	17.04	22.33	4.00	115

**CV VERSUS VALVE OPENING PERCENTAGE**

Size	Degree	10%	20%	30%	40%	50%	60%	70%	80%	90%
1"	30-60°	0.00	0.10	0.70	1.50	2.70	4.30	6.90	10.90	14.90
	60°	0.00	0.18	0.80	2.00	3.60	6.20	9.80	17.10	26.90
	90°	0.00	0.13	0.80	2.30	4.40	8.20	13.90	24.10	39.20
1-1/4"	30-60°	0.00	0.20	0.70	1.30	2.30	3.90	6.50	11.30	18.00
	60°	0.00	0.40	1.30	2.50	4.50	7.60	12.70	21.90	36.00
	90°	0.00	0.80	2.20	4.50	8.00	13.40	22.40	38.80	64.00
1-1/2"	30-60°	0.13	0.20	1.20	2.90	5.30	8.80	13.90	21.30	31.20
	60°	0.13	0.40	1.60	3.60	7.90	15.70	23.80	38.10	61.50
	90°	0.13	0.80	2.90	6.60	12.00	20.80	35.80	62.30	114.10
2"	30-60°	0.04	1.40	3.90	7.40	12.30	19.20	28.30	42.60	61.70
	60°	0.15	1.30	4.40	9.20	16.10	26.60	44.10	69.70	101.10
	90°	0.15	1.50	5.60	11.50	21.40	36.80	63.50	108.20	184.60
2-1/2"	30-60°	0.06	2.19	6.13	11.49	19.24	30.03	44.19	66.64	96.37
	60°	0.24	2.07	6.82	14.33	25.08	41.58	68.92	108.96	157.93
	90°	0.24	2.41	8.67	18.00	33.47	57.52	99.19	168.99	288.42
3"	30-60°	0.32	2.20	7.10	13.90	23.80	37.00	57.60	86.60	128.10
	60°	0.31	3.00	9.60	20.40	35.00	58.50	94.60	147.00	233.60
	90°	0.31	3.70	12.70	26.40	49.40	85.80	140.80	242.20	418.70
4"	30-60°	0	2.1	6.1	12.3	21.6	36.3	60.8	105.2	174
	60°	0	4.3	12.4	25.0	44.1	74.1	124.1	214.5	355
	90°	0	8.1	23.6	47.5	88	140.8	235.7	407.50	675