



JOB NAME:	CONTRACTOR:
JOB LOCATION:	APPROVAL:
ENGINEER:	CONTRACTOR P.O.:
APPROVAL:	REPRESENTATIVE:

PP710190V36DA - PP710061V36DA 30-60°
 PP710190V36DA - PP710061V6DA 60°
 PP710190V36DA - PP710061V9DA 90°

**710190V36/V6/V9, 3-PC, 2-WAY
 STAINLESS STEEL V-BALL VALVE, FULL PORT
 BALL VALVE WITH **DOUBLE ACTING**
 PNEUMATIC ACTUATOR AND PNEUMATIC
 PNP-B 3-15 PSI POSITIONER**

SIZES 1/2" TO 4"

710061V36/V6/V9 - SW

PP710190V36SR - PP710061V36SR 30-60°
 PP710190V36SR - PP710061V6SR 60°
 PP710190V36SR - PP710061V9SR 90°

**710190V36/V6/V9, 3-PC, 2-WAY
 STAINLESS STEEL V-BALL VALVE, FULL PORT
 BALL VALVE WITH **SPRING RETURN**
 PNEUMATIC ACTUATOR AND PNEUMATIC
 PNP-B 3-15 PSI POSITIONER**

SIZES 1/2" TO 4"

710061V36/V6/V9 - SW

SPECIFICATIONS

The PP710190V36/V6/V9 series electric V-ball packages feature the Valpres 3-piece stainless steel series 710190V36/V6/V9 NPT ball valve with 25% carbon filled PTFE seats, and thermal relief hole in the stem slot. The valves are rated for 1000psi maximum working pressure. The Valbia pneumatic actuator comes with a hard-anodized aluminum body, and powder coat-ed end caps. In addition, all Valbia pneumatic actuators are standardly furnished with elevated temperature seals to 302°F. The patented side loaded limit stops never enter the piston chamber eliminating extra possible leak paths. The assembled package also features a compact PNP-B positioner with an input signal of 3-15psig.

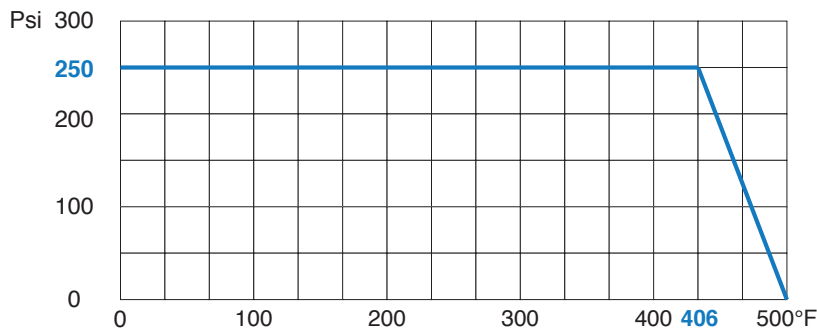
ACTUATOR FEATURES

- Hard anodized extruded aluminum body
- Concentric spring sets
- Die cast aluminum end caps
- Solid steel barstock pinion (not casting)
- 0°-90° rotation adjustment cam
- 0°-90° rotation adjustment bolts
- POM piston guides
- Minimum air pressure rating: 80 psi
- Maximum air pressure rating: 116 psi
- Working temperature: -4°F - 302°F
- No lubrication maintenance required for the entire actuator lifetime
- 100% factory tested

VALVE FEATURES

- CF8M Stainless Steel
- Sizes 1/2" to 4"
- Temperature range: -4°F to 406° F.
- Blow out proof stem, Antistatic Device.
- ISO 5211 mounting pad with double "D" stem
- 100% tested.
- TUV T.A. Luft approved.
- 25% carbon filled P.T.F.E. ball seats; thermal relief hole in the ball.

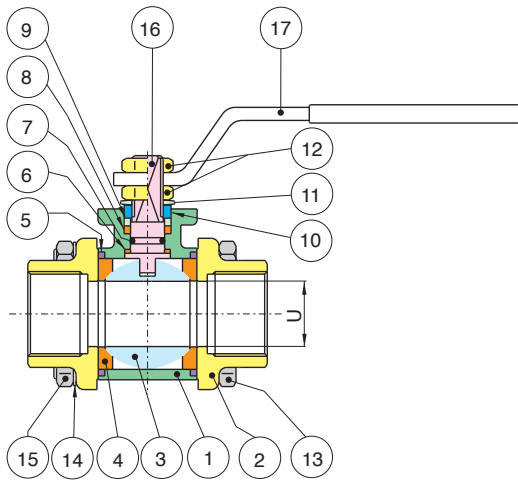
PRESSURE - TEMPERATURE CHART FOR SERIES 710190V36/V6/V9



PP710190V * DA - PP710190V * SR V-BALL SERIES MODEL OPTIONS

	90° V-BALL PP710190V9DA PP710190V9SR
	60° V-BALL PP710190V6DA PP710190V6SR
	30-60° V-BALL PP710190V36DA PP710190V36SR

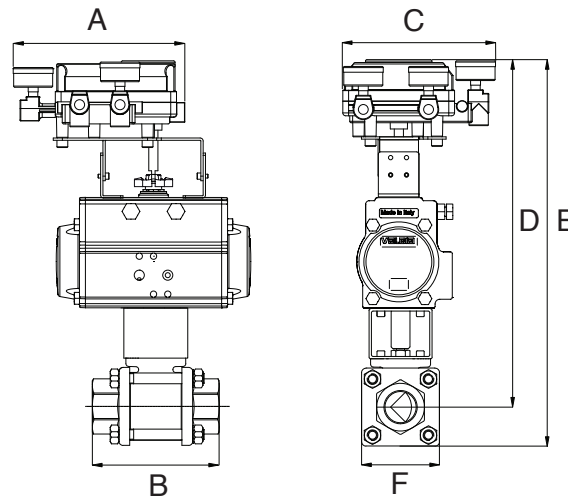
BILL OF MATERIALS FOR 710190V36/V6/V9



N POS	PART NAME	MATERIAL	N PCS
1	BODY	CF8M	1
2	END CAP	CF8M	2
3	BALL	AISI 304-CF8M	1
4	BALL SEAT	R.P.T.F.E.	2
5	SEAL	VITON	2
6	STEM SEAL	R.P.T.F.E.	1
7	O-RING	FKM (Viton)	1
8	STEM SEAL	R.P.T.F.E.	1
9	PACKING GLAND	STEEL	1

N POS	PART NAME	MATERIAL	N PCS
10	END STOP	AISI 430 (1/4" - 2")	2
		STEEL (2-1/2" - 4")	1
11	SPRING WASHER	STEEL (2-1/2" - 4")	2
12	NUT	STEEL	2
13	BOLT	STEEL (1/4" - 2")	4
		STEEL (2-1/2" - 4")	6
14	WASHER	STEEL (1/4" - 2")	4
		STEEL (2-1/2" - 4")	6
15	NUT	STEEL (1/4" - 2")	4
		STEEL (2-1/2" - 4")	6
16	STEM	AISI 304	1
17	HANDLE	STEEL	1

DIMENSIONS



PP710190V36DA 710190V36 with **DA** Actuator & PNP-B Positioner
PP710190V6DA 710190V6 with **DA** Actuator & PNP-B Positioner
PP710190V9DA 710190V9 with **DA** Actuator & PNP-B Positioner

PP710190V36SR 710190V36 with **SR** Actuator & PNP-B Positioner
PP710190V6SR 710190V6 with **SR** Actuator & PNP-B Positioner
PP710190V9SR 710190V9 with **SR** Actuator & PNP-B Positioner

Size	A	B	C	D	E	ACT. DA
1/2"	7.32	2.55	6.52	8.56	9.31	52
3/4"	7.32	2.99	6.52	11.40	12.34	52
1"	7.32	3.62	6.52	11.59	12.74	52
1-1/4"	7.32	4.19	6.52	11.75	13.05	63
1-1/2"	7.32	4.56	6.52	13.01	14.51	63
2"	7.32	5.36	6.52	13.96	15.73	63
2-1/2"	7.32	6.04	6.52	15.06	17.70	85
3"	7.32	7.08	6.52	15.49	18.69	85
4"	7.32	8.54	6.52	17.42	21.16	100

Size	A	B	C	D	E	ACT. SR
1/2"	7.32	2.55	6.52	14.76	15.51	63
3/4"	7.32	2.99	6.52	17.60	18.54	63
1"	7.32	3.62	6.52	17.79	18.94	75
1-1/4"	7.32	4.19	6.52	17.95	19.25	85
1-1/2"	7.32	4.56	6.52	19.21	20.71	85
2"	7.32	5.36	6.52	20.16	21.93	100
2-1/2"	7.32	6.04	6.52	21.26	23.90	115
3"	7.32	7.08	6.52	21.69	24.89	125
4"	7.32	8.54	6.52	23.62	27.36	160

CV VERSUS VALVE OPENING PERCENTAGE

Size	Degree	10%	20%	30%	40%	50%	60%	70%	80%	90%
1/2"	30-60°	0	0.0	0.1	0.2	0.4	0.6	1.0	1.7	3
	60°	0	0.1	0.2	0.4	0.7	1.2	1.9	3.3	6
	90°	0	0.1	0.3	0.7	1.2	2.0	3.4	5.9	10
3/4"	30-60°	0	0.1	0.2	0.5	0.8	1.3	2.2	3.9	6
	60°	0	0.1	0.4	0.9	1.5	2.6	4.3	7.5	12
	90°	0	0.3	0.8	1.6	2.7	4.6	7.7	13.3	22
1"	30-60°	0	0.1	0.4	0.8	1.4	2.4	4.0	6.9	11
	60°	0	0.3	0.8	1.6	2.7	4.6	7.7	13.4	22
	90°	0	0.5	1.4	2.8	4.9	8.2	13.7	23.7	39
1-1/4"	30-60°	0	0.2	0.7	1.3	2.3	3.9	6.5	11.3	18
	60°	0	0.4	1.3	2.5	4.5	7.6	12.7	21.9	36
	90°	0	0.8	2.2	4.5	8.0	13.4	22.4	38.8	64
1-1/2"	30-60°	0	0.3	1.0	2.0	3.5	5.9	9.8	17.0	28
	60°	0	0.7	2.0	4.0	7.1	11.9	20.0	34.5	57
	90°	0	1.1	3.3	6.6	11.6	19.5	32.6	56.4	93
2"	30-60°	0	0.5	1.5	3.1	5.5	9.2	15.4	26.7	44
	60°	0	1.1	3.1	6.3	11.1	18.7	31.2	54.0	89
	90°	0	2.0	6.0	12.0	21.2	35.6	59.5	102.9	170
3"	30-60°	0	1.3	3.9	7.8	13.8	23.2	38.9	67.2	111
	60°	0	2.7	7.9	16.0	28.2	47.4	79.3	137.1	227
	90°	0	4.7	13.6	27.3	48.1	80.9	135.4	234.1	387
4"	30-60°	0	2.1	6.1	12.3	21.6	36.3	60.8	105.2	174
	60°	0	4.3	12.4	25.0	44.1	74.1	124.1	214.5	355
	90°	0	8.1	23.6	47.5	88	140.8	235.7	407.50	675