

JOB NAME:	CONTRACTOR:
JOB LOCATION:	APPROVAL:
ENGINEER:	CONTRACTOR P.O.:
APPROVAL:	REPRESENTATIVE:

EP760195V36DA	30-60° BALL	EP760195V36SR	30-60° BALL
EP760195V6DA	60° BALL	EP760195V6SR	60° BALL
EP760195V9DA	90° BALL	EP760195V9SR	90° BALL

760195V36/V6/V9, 2-WAY STAINLESS STEEL, ANSI 300 FLANGED, FOR STEAM, SPLIT BODY STYLE FULL PORT BALL VALVE WITH **DOUBLE ACTING PNEUMATIC ACTUATOR AND ELECTRIC **ENP-B 4-20 mA POSITIONER****

SIZES 1/2" TO 6"

760195V36/V6/V9, 2-WAY STAINLESS STEEL, ANSI 300 FLANGED, FOR STEAM, SPLIT BODY STYLE FULL PORT BALL VALVE WITH **SPRING RETURN PNEUMATIC ACTUATOR AND ELECTRIC **ENP-B 4-20 mA POSITIONER****

SIZES 1/2" TO 6"

SPECIFICATIONS

The EP760195V36/V6/V9 DA and SR series V-ball packages feature the Valpres 760195V36/V6/V9 ball valve with 25% carbon filled PTFE steam trim seats and seals. The valve is ANSI Class 300, meets B16.10 and B16.34, and incorporates a grounded ball and stem. The valve is rated up to 200WSP. The Valbia pneumatic actuator comes with a hard-anodized aluminum body, and powder coated end caps. In addition, all Valbia pneumatic actuators are standardly furnished with elevated temperature seals to 302°F. The patented side loaded limit stops never enter the piston chamber eliminating extra possible leak paths. The assembled package also includes the ENP-B electro-pneumatic positioner that accurately controls the valve stroke in response to an input signal of 4-20mA from the controller.

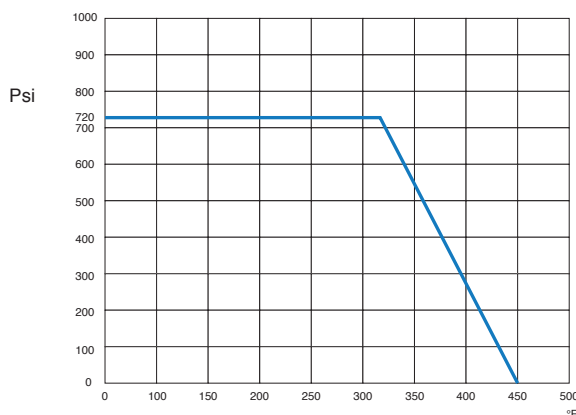
ACTUATOR FEATURES

- Hard anodized extruded aluminum body
- Concentric spring sets
- Die cast aluminum end caps
- Solid steel barstock pinion (not casting)
- 0°-90° rotation adjustment cam
- 0°-90° rotation adjustment bolts
- POM piston guides
- Minimum air pressure rating: 80 psi
- Maximum air pressure rating: 116 psi
- Working temperature: -4°F - 302°F
- No lubrication maintenance required for the entire actuator lifetime
- 100% factory tested



VALVE FEATURES

- Stainless Steel, ANSI class 300 flanged
- Full port, sizes 1/2" to 6"
- Temperature range -4°F to 450°F
- Blow-out proof stem, adjustable stem packing
- 25% Carbon Filled P.T.F.E. seats
- Steam pressure to 200 psi
- 100% tested
- PED 97/23/CE
- ANSI B16.5, B16.10, B16.34 design
- Fire Safe API 6FA-API 607 4th edition
- Antistatic Device
- ISO 5211 mounting pad with double "D" stem

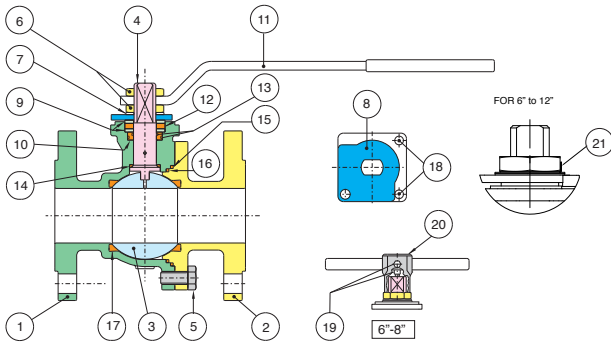
PRESSURE - TEMPERATURE CHART FOR SERIES 760195V36/V6/V9



EP760195V * DA - EP760195V * SR V-BALL SERIES MODEL OPTIONS

	90° V-BALL EP760195V9DA EP760195V9SR
	60° V-BALL EP760195V6DA EP760195V6SR
	30-60° V-BALL EP760195V36DA EP760195V36SR

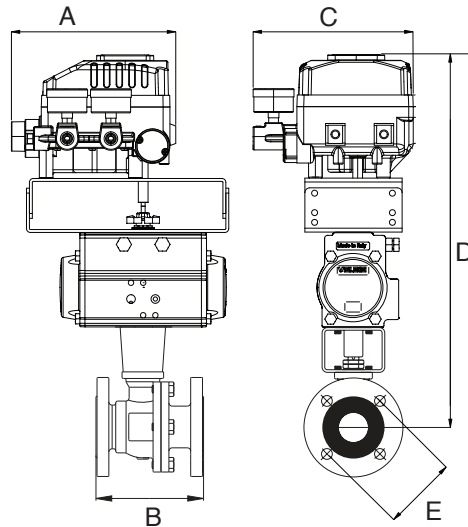
BILL OF MATERIALS FOR 760195V36/V6/V9



N POS	PART NAME	MATERIAL	N PCS
1	BODY	A351 CF8M	1
2	END CONNECTION	A351 CF8M	1
3	BALL	A479-316/A351 CF8M	1
4	STEM	A276-316	1
5	SCREW	STEEL	4-8
6	NUT	STEEL	1-2
7	SPRING WASHER	STEEL	2
8	TRAVEL STOP	STEEL	1
9	PACKING GLAND	STEEL	2
10	STEM SEAL	P.T.F.E.	1
11	HANDLE	STEEL	1

N POS	PART NAME	MATERIAL	N PCS
12	STEM SEAL	GRAPHOIL	1
13	O-RING	FKM (Viton®)	2
14	THRUST WASHER	P.T.F.E.	1
15	SEAL	GRAPHOIL	1
16	SEAL	P.T.F.E.	1
17	BALL SEATS	R.P.T.F.E.	2
18	SCREW	STEEL	2
19	SCREW	STEEL	2
20	BODY HANDLE	CAST IRON	1
21	UNSCREWING GROWER	A182-F316	1

DIMENSIONS



EP760195V36DA 760195V36 with **DA** Actuator & ENP-B Positioner
EP760195V6DA 760195V6 with **DA** Actuator & ENP-B Positioner
EP760195V9DA 760195V9 with **DA** Actuator & ENP-B Positioner

EP760195V36SR 760195V36 with **SR** Actuator & ENP-B Positioner
EP760195V6SR 760195V6 with **SR** Actuator & ENP-B Positioner
EP760195V9SR 760195V9 with **SR** Actuator & ENP-B Positioner

Size	A	B	C	D	E ANSI	ACT. DA
1/2"	6.65	5.51	6.98	12.02	300	52
3/4"	6.65	5.98	6.98	13.64	300	63
1"	6.65	6.50	6.98	14.34	300	63
1-1/2"	6.65	7.48	6.98	16.00	300	75
2"	6.65	8.50	6.98	17.02	300	85
3"	6.65	11.14	6.98	19.31	300	100
4"	6.65	12.01	6.98	20.37	300	115
6"	6.65	15.87	6.98	24.38	300	180

Size	A	B	C	D	E ANSI	ACT. SR
1/2"	6.65	5.51	6.98	13.48	300	63
3/4"	6.65	5.98	6.98	14.07	300	85
1"	6.65	6.50	6.98	14.78	300	85
1-1/2"	6.65	7.48	6.98	17.26	300	100
2"	6.65	8.50	6.98	18.08	300	115
3"	6.65	11.14	6.98	21.67	300	125
4"	6.65	12.01	6.98	22.22	300	160
6"	6.65	15.87	6.98	26.19	300	270

CV VERSUS VALVE OPENING PERCENTAGE

Size	Degree	10%	20%	30%	40%	50%	60%	70%	80%	90%
1/2"	30-60°	0	0.0	0.1	0.2	0.4	0.6	1.0	1.7	3
	60°	0	0.1	0.2	0.4	0.7	1.2	1.9	3.3	6
	90°	0	0.1	0.3	0.7	1.2	2.0	3.4	5.9	10
3/4"	30-60°	0	0.1	0.2	0.5	0.8	1.3	2.2	3.9	6
	60°	0	0.1	0.4	0.9	1.5	2.6	4.3	7.5	12
	90°	0	0.3	0.8	1.6	2.7	4.6	7.7	13.3	22
1"	30-60°	0	0.1	0.4	0.8	1.4	2.4	4.0	6.9	11
	60°	0	0.3	0.8	1.6	2.7	4.6	7.7	13.4	22
	90°	0	0.5	1.4	2.8	4.9	8.2	13.7	23.7	39
1-1/2"	30-60°	0	0.3	1.0	2.0	3.5	5.9	9.8	17.0	28
	60°	0	0.7	2.0	4.0	7.1	11.9	20.0	34.5	57
	90°	0	1.1	3.3	6.6	11.6	19.5	32.6	56.4	93
2"	30-60°	0	0.5	1.5	3.1	5.5	9.2	15.4	26.7	44
	60°	0	1.1	3.1	6.3	11.1	18.7	31.2	54.0	89
	90°	0	2.0	6.0	12.0	21.2	35.6	59.5	102.9	170
3"	30-60°	0	1.3	3.9	7.8	13.8	23.2	38.9	67.2	111
	60°	0	2.7	7.9	16.0	28.2	47.4	79.3	137.1	227
	90°	0	4.7	13.6	27.3	48.1	80.9	135.4	234.1	387
4"	30-60°	0	2.1	6.1	12.3	21.6	36.3	60.8	105.2	174
	60°	0	4.3	12.4	25.0	44.1	74.1	124.1	214.5	355
	90°	0	8.1	23.6	47.5	88.8	140.8	235.7	407.50	675
6"	30-60°	0	4.7	13.7	27.6	28.7	81.9	137.0	236.9	392.0
	60°	0	9.6	28.0	56.3	99.3	166.8	279.3	482.8	799.0
	90°	0	17.7	51.6	103.8	183.1	307.6	514.9	890.2	1473.0