



JOB NAME:	CONTRACTOR:
JOB LOCATION:	APPROVAL:
ENGINEER:	CONTRACTOR P.O.:
APPROVAL:	REPRESENTATIVE:

**EP725002V36DA 30-60°**  
**EP725002V36DA 60°**  
**EP725002V36DA 90°**

**725002V36/V6/V9, 2-WAY STAINLESS STEEL, ANSI 150 FLANGED, "TRUE" WAFER STYLE, FULL PORT BALL VALVE WITH DOUBLE ACTING PNEUMATIC ACTUATOR AND ELECTRO-PNEUMATIC ENP-B 4-20 mA POSITIONER**  
**SIZES 1" TO 4"**

**EP725002V36SR 30-60°**  
**EP725002V36SR 60°**  
**EP725002V36SR 90°**

**725002V36/V6/V9, 2-WAY STAINLESS STEEL, ANSI 150 FLANGED, "TRUE" WAFER STYLE, FULL PORT BALL VALVE WITH SPRING RETURN PNEUMATIC ACTUATOR AND ELECTRO-PNEUMATIC ENP-B 4-20 mA POSITIONER**  
**SIZES 1" TO 4"**

## SPECIFICATIONS

The EP725002V36/V6/V9 series electro-pneumatic package features the "true" wafer 725002V stainless steel, steam rated, full port, ANSI Class 150 flanged ball valve. The 725002V series also incorporates a relief hole located in the stem slot for thermal expansion protection. The Valbia pneumatic actuator comes with a hard-anodized aluminum body, and powder coated end caps. In addition, all Valbia pneumatic actuators are standardly furnished with elevated temperature seals to 302°F. The patented side loaded limit stops never enter the piston chamber eliminating extra possible leak paths. The assembled package also includes the ENP-B electro-pneumatic positioner that accurately controls the valve stroke in response to an input signal of 4-20mA from the controller.

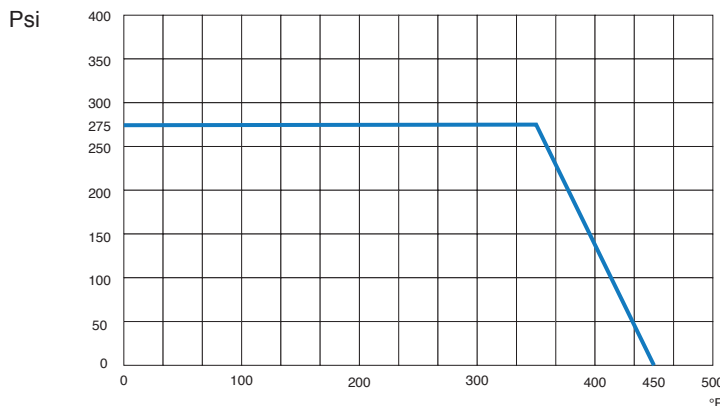
## ACTUATOR FEATURES

- Hard anodized extruded aluminum body
- Concentric spring sets
- Die cast aluminum end caps
- Solid steel barstock pinion (not casting)
- 0°-90° rotation adjustment cam
- 0°-90° rotation adjustment bolts
- POM piston guides
- Minimum air pressure rating: 80 psi
- Maximum air pressure rating: 116 psi
- Working temperature: -4°F - 302°F
- No lubrication maintenance required for the entire actuator lifetime
- 100% factory tested

## VALVE FEATURES

- Stainless Steel, ANSI class 150 flanged
- Full port, sizes 1" to 4"
- Temperature range -4°F to 450°F
- Blow-out proof stem
- 25% Carbon filled P.T.F.E. seats, packing and thrust washer
- Thermal relief hole in stem slot
- Space saving design
- 100% tested
- TUV T.A. Luft approved
- Anti-static stem device
- Steam service trim (200 WSP)
- ISO 5211 mounting pad with double "D" stem
- Complies with NACE MR 0175/ISO 15156 and NACE MR 0103

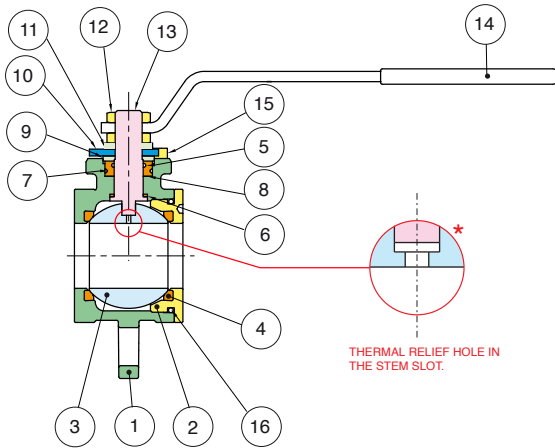
## PRESSURE - TEMPERATURE CHART FOR SERIES 725002V36/V6/V9



## EP725002V \* DA - EP725002V \* SR V-BALL SERIES MODEL OPTIONS

	<b>90° V-BALL</b>
	<b>EP725002V9DA</b> <b>EP725002V9SR</b>
	<b>60° V-BALL</b>
	<b>EP725002V6DA</b> <b>EP725002V6SR</b>
	<b>30-60° V-BALL</b>
	<b>EP725002V36DA</b> <b>EP725002V36SR</b>

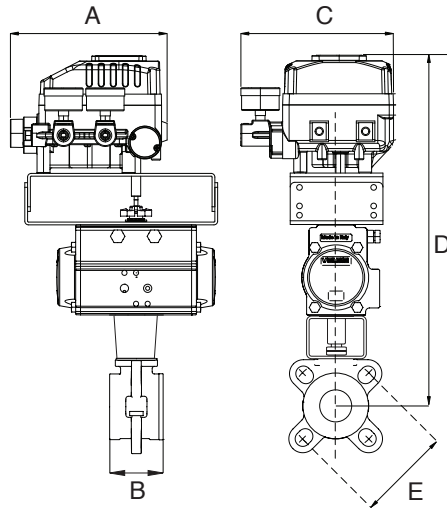
## BILL OF MATERIALS FOR 725002



N POS	PART NAME	MATERIAL	N PCS
1	BODY	A351 CF8M	1
2	END CONNECTION	A479-316	1
3	BALL	A479-316/A351 CF8M	1
4	BALL SEATS	R.P.T.F.E.	2
5	O-RING	FKM (Viton®)	1
6	THRUST WASHER	P.T.F.E.	1
7	RING	FKM (Viton®)	1
8	STEM SEAL	P.T.F.E.	1

N POS	PART NAME	MATERIAL	N PCS
10	END STOP	CARBON STEEL	1
11	SPRING WASHER	CARBON STEEL	2
12	NUT	CARBON STEEL	2
13	STEM	A479-316	1
14	HANDLE	CARBON STEEL	1
15	SCREW	CARBON STEEL	2
16	O-RING	FKM (Viton®)	2

## DIMENSIONS



**EP725002V36DA** 725002V36 with **DA** Actuator & ENP-B Positioner  
**EP725002V6DA** 725002V6 with **DA** Actuator & ENP-B Positioner  
**EP725002V9DA** 725002V9 with **DA** Actuator & ENP-B Positioner

**EP725002V36SR** 725002V36 with **SR** Actuator & ENP-B Positioner  
**EP725002V6SR** 725002V6 with **SR** Actuator & ENP-B Positioner  
**EP725002V9SR** 725002V9 with **SR** Actuator & ENP-B Positioner

Size	A	B	C	D	E ANSI	ACT. DA
1"	6.65	1.81	6.98	14.53	150	52
1-1/4"	6.65	2.12	6.98	14.67	150	52
1-1/2"	6.65	2.50	6.98	15.31	150	63
2"	6.65	3.23	6.98	14.06	150	75
3"	6.65	4.80	6.98	18.17	150	85
4"	6.65	5.60	6.98	19.20	150	100

Size	A	B	C	D	E ANSI	ACT. SR
1"	6.65	1.81	6.98	14.98	150	63
1-1/4"	6.65	2.12	6.98	15.12	150	63
1-1/2"	6.65	2.50	6.98	16.57	150	85
2"	6.65	3.23	6.98	17.42	150	100
3"	6.65	4.80	6.98	20.12	150	125
4"	6.65	5.60	6.98	20.64	150	125

**CV VERSUS VALVE OPENING PERCENTAGE**

Size	Degree	10%	20%	30%	40%	50%	60%	70%	80%	90%
1"	30-60°	0	0.1	0.4	0.8	1.4	2.4	4.0	6.9	11
	60°	0	0.3	0.8	1.6	2.7	4.6	7.7	13.4	22
	90°	0	0.5	1.4	2.8	4.9	8.2	13.7	23.7	39
1-1/4"	30-60°	0	0.2	0.7	1.3	2.3	3.9	6.5	11.3	18
	60°	0	0.4	1.3	2.5	4.5	7.6	12.7	21.9	36
	90°	0	0.8	2.2	4.5	8.0	13.4	22.4	38.8	64
1-1/2"	30-60°	0	0.3	1.0	2.0	3.5	5.9	9.8	17.0	28
	60°	0	0.7	2.0	4.0	7.1	11.9	20.0	34.5	57
	90°	0	1.1	3.3	6.6	11.6	19.5	32.6	56.4	93
2"	30-60°	0	0.5	1.5	3.1	5.5	9.2	15.4	26.7	44
	60°	0	1.1	3.1	6.3	11.1	18.7	31.2	54.0	89
	90°	0	2.0	6.0	12.0	21.2	35.6	59.5	102.9	170
3"	30-60°	0	1.3	3.9	7.8	13.8	23.2	38.9	67.2	111
	60°	0	2.7	7.9	16.0	28.2	47.4	79.3	137.1	227
	90°	0	4.7	13.6	27.3	48.1	80.9	135.4	234.1	387
4"	30-60°	0	2.1	6.1	12.3	21.6	36.3	60.8	105.2	174
	60°	0	4.3	12.4	25.0	44.1	74.1	124.1	214.5	355
	90°	0	8.1	23.6	47.5	88.8	140.8	235.7	407.50	675