



| | |
|---------------|------------------|
| JOB NAME: | CONTRACTOR: |
| JOB LOCATION: | APPROVAL: |
| ENGINEER: | CONTRACTOR P.O.: |
| APPROVAL: | REPRESENTATIVE: |

EP720370V36DA 30-60°
EP720370V6DA 60°
EP720370V9DA 90°

720370V36/V6/V9, 2-WAY STAINLESS STEEL, ANSI 150 FLANGED, FIRE -SAFE, WAFER STYLE, FULL PORT BALL VALVE WITH DOUBLE ACTING PNEUMATIC ACTUATOR AND ELECTRO-PNEUMATIC ENP-B 4-20 mA POSITIONER

SIZES 1/2" TO 6"

EP720370V36SR 30-60°
EP720370V6SR 60°
EP720370V9SR 90°

720370V36/V6/V9, 2-WAY STAINLESS STEEL, ANSI 150 FLANGED, FIRE -SAFE, WAFER STYLE, FULL PORT BALL VALVE WITH SPRING RETURN PNEUMATIC ACTUATOR AND ELECTRO-PNEUMATIC ENP-B 4-20 PSI POSITIONER

SIZES 1/2" TO 6"

SPECIFICATIONS

The Bonomi EP720370V36/V6/V9 series electric packages feature the Fire-Safe series 720370V made from ASTM A351-CF8M stainless steel, short pattern, wafer full port, ANSI 150 flanged ball valve, in sizes 1/2"-6". It has 25% carbon filled PTFE seats, grounded ball & stem, and a combination PTFE and Viton dual stem packing design. The Valbia pneumatic actuator comes with a hard-anodized aluminum body, and powder coated end caps. In addition, all Valbia pneumatic actuators are standardly furnished with elevated temperature seals to 302°F. The patented side loaded limit stops never enter the piston chamber eliminating extra possible leak paths. The assembled package also includes the ENP-B electro-pneumatic positioner that accurately controls the valve stroke in response to an input signal of 4-20mA from the controller.

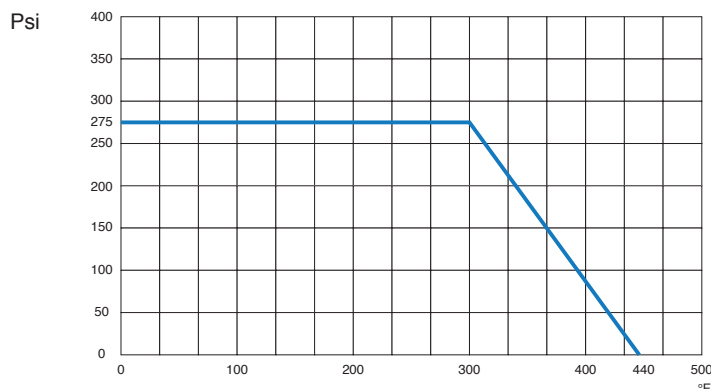
ACTUATOR FEATURES

- Hard anodized extruded aluminum body
- Concentric spring sets
- Die cast aluminum end caps
- Solid steel barstock pinion (not casting)
- 0°-90° rotation adjustment cam
- 0°-90° rotation adjustment bolts
- POM piston guides
- Minimum air pressure rating: 80 psi
- Maximum air pressure rating: 116 psi
- Working temperature: -4°F - 302°F
- No lubrication maintenance required for the entire actuator lifetime
- 100% factory tested

VALVE FEATURES

- Stainless Steel, ANSI class 150 flanged
- Full port, sizes 1/2" to 6"
- Blow out proof stem
- Fire-safe approved with Antistatic stem device
- 25% carbon filled P.T.F.E ball seats.
- P.T.F.E. packing and thrust washer
- Space saving design
- 100% tested
- TUV T.A. Luft approved
- ANSI B16.34 design
- ISO 5211 mounting pad with double "D" stem
- Temperature range: -4° F to 450° F.

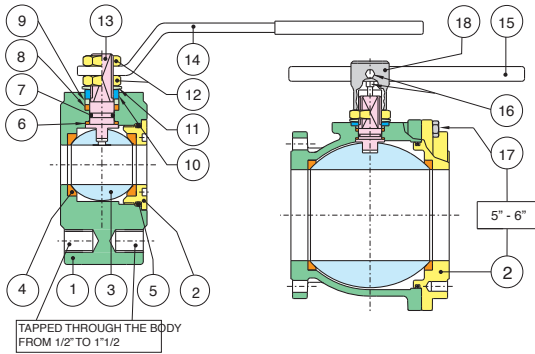
PRESSURE - TEMPERATURE CHART FOR SERIES 720370V36/V6/V9



EP720370V * DA - EP720370V * SR V-BALL SERIES MODEL OPTIONS

| | |
|---|--|
|  | 90° V-BALL EP720370V9DA EP720370V9SR |
|  | 60° V-BALL EP720370V6DA EP720370V6SR |
|  | 30-60° V-BALL EP720370V36DA EP720370V36SR |

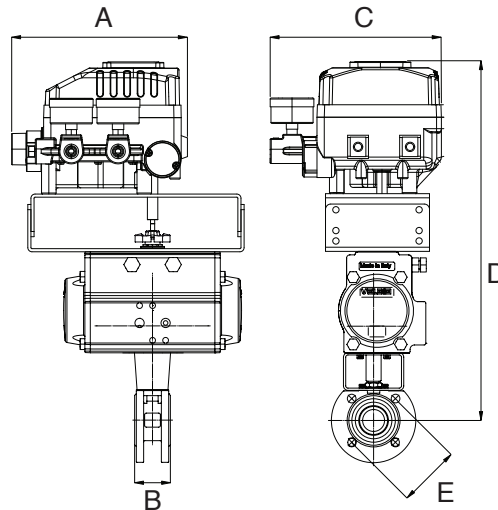
BILL OF MATERIALS FOR 720370V36/V6/V9



| N POS | PART NAME | MATERIAL | N POS |
|-------|----------------|---|--------|
| 1 | BODY | A479-316/A351 CF8M | 1 |
| 2 | END CONNECTION | A479-316/A351 CF8M | 1 |
| 3 | BALL | A479-316/A351 CF8M | 1 |
| 4 | BALL SEATS | 25% CARBON FILLED P.T.F.E. | 2 |
| 5 | O-RING | FKM (Viton®) | 1 |
| 6 | THRUST WASHER | P.T.F.E. | 1 |
| 7 | RING | FKM (Viton®) | 1 |
| 8 | STEM SEAL | GRAPHOIL | 1 |
| 9 | PACKING GLAND | STEEL | 1 |
| 10 | END STOP | AISI 430 (1/2" - 2") STEEL (2-1/2" - 6") | 2 1 |

| N POS | PART NAME | MATERIAL | N POS |
|-------|-----------------------|-----------|-------|
| 11 | SPRING WASHER | STEEL | 2 |
| 12 | NUT | STEEL | 2 |
| 13 | STEM | AISI 304 | 1 |
| 14 | HANDLE | STEEL | 1 |
| 15 | HANDLE DN 150-200 | STEEL | 1 |
| 16 | SCREW | STEEL | 2 |
| 17 | SCREW | STEEL | 8-12 |
| 18 | BODY HANDLE DN150-200 | CAST IRON | 1 |
| 19 | UNSCREWING GROWER | A182-F316 | 1 |

DIMENSIONS



EP720370V36DA 720370V36 with **DA** Actuator & ENP-B Positioner
EP720370V6DA 720370V6 with **DA** Actuator & ENP-B Positioner
EP720370V9DA 720370V9 with **DA** Actuator & ENP-B Positioner

EP720370V36SR 720370V36 with **SR** Actuator & ENP-B Positioner
EP720370V6SR 720370V6 with **SR** Actuator & ENP-B Positioner
EP720370V9SR 720370V9 with **SR** Actuator & ENP-B Positioner

| Size | A | B | C | D | E ANSI | ACT. DA |
|--------|------|------|------|-------|-----------|------------|
| 1/2" | 6.65 | 1.37 | 6.98 | 12.42 | 150 | 32 |
| 3/4" | 6.65 | 1.57 | 6.98 | 14.03 | 150 | 52 |
| 1" | 6.65 | 1.81 | 6.98 | 14.26 | 150 | 52 |
| 1-1/2" | 6.65 | 2.50 | 6.98 | 15.18 | 150 | 63 |
| 2" | 6.65 | 3.22 | 6.98 | 16.22 | 150 | 75 |
| 3" | 6.65 | 4.80 | 6.98 | 17.73 | 150 | 85 |
| 4" | 6.65 | 5.98 | 6.98 | 18.88 | 150 | 100 |
| 6" | 6.65 | 9.13 | 6.98 | 22.19 | 150 | 125 |

| Size | A | B | C | D | E ANSI | ACT. SR |
|--------|------|------|------|-------|-----------|------------|
| 1/2" | 7.32 | 1.37 | 6.55 | 13.86 | 150 | 52 |
| 3/4" | 7.32 | 1.57 | 6.55 | 14.48 | 150 | 63 |
| 1" | 7.32 | 1.81 | 6.55 | 14.71 | 150 | 63 |
| 1-1/2" | 7.32 | 2.50 | 6.55 | 16.44 | 150 | 85 |
| 2" | 7.32 | 3.22 | 6.55 | 16.77 | 150 | 100 |
| 3" | 7.32 | 4.80 | 6.55 | 19.68 | 150 | 125 |
| 4" | 7.32 | 5.98 | 6.55 | 20.32 | 150 | 125 |
| 6" | 7.32 | 9.13 | 6.55 | 24.02 | 150 | 160 |

CV VERSUS VALVE OPENING PERCENTAGE

| Size | Degree | 10% | 20% | 30% | 40% | 50% | 60% | 70% | 80% | 90% |
|--------|--------|-----|------|------|-------|-------|-------|-------|--------|--------|
| 1/2" | 30-60° | 0 | 0.0 | 0.1 | 0.2 | 0.4 | 0.6 | 1.0 | 1.7 | 3 |
| | 60° | 0 | 0.1 | 0.2 | 0.4 | 0.7 | 1.2 | 1.9 | 3.3 | 6 |
| | 90° | 0 | 0.1 | 0.3 | 0.7 | 1.2 | 2.0 | 3.4 | 5.9 | 10 |
| 3/4" | 30-60° | 0 | 0.1 | 0.2 | 0.5 | 0.8 | 1.3 | 2.2 | 3.9 | 6 |
| | 60° | 0 | 0.1 | 0.4 | 0.9 | 1.5 | 2.6 | 4.3 | 7.5 | 12 |
| | 90° | 0 | 0.3 | 0.8 | 1.6 | 2.7 | 4.6 | 7.7 | 13.3 | 22 |
| 1" | 30-60° | 0 | 0.1 | 0.4 | 0.8 | 1.4 | 2.4 | 4.0 | 6.9 | 11 |
| | 60° | 0 | 0.3 | 0.8 | 1.6 | 2.7 | 4.6 | 7.7 | 13.4 | 22 |
| | 90° | 0 | 0.5 | 1.4 | 2.8 | 4.9 | 8.2 | 13.7 | 23.7 | 39 |
| 1-1/2" | 30-60° | 0 | 0.3 | 1.0 | 2.0 | 3.5 | 5.9 | 9.8 | 17.0 | 28 |
| | 60° | 0 | 0.7 | 2.0 | 4.0 | 7.1 | 11.9 | 20.0 | 34.5 | 57 |
| | 90° | 0 | 1.1 | 3.3 | 6.6 | 11.6 | 19.5 | 32.6 | 56.4 | 93 |
| 2" | 30-60° | 0 | 0.5 | 1.5 | 3.1 | 5.5 | 9.2 | 15.4 | 26.7 | 44 |
| | 60° | 0 | 1.1 | 3.1 | 6.3 | 11.1 | 18.7 | 31.2 | 54.0 | 89 |
| | 90° | 0 | 2.0 | 6.0 | 12.0 | 21.2 | 35.6 | 59.5 | 102.9 | 170 |
| 3" | 30-60° | 0 | 1.3 | 3.9 | 7.8 | 13.8 | 23.2 | 38.9 | 67.2 | 111 |
| | 60° | 0 | 2.7 | 7.9 | 16.0 | 28.2 | 47.4 | 79.3 | 137.1 | 227 |
| | 90° | 0 | 4.7 | 13.6 | 27.3 | 48.1 | 80.9 | 135.4 | 234.1 | 387 |
| 4" | 30-60° | 0 | 2.1 | 6.1 | 12.3 | 21.6 | 36.3 | 60.8 | 105.2 | 174 |
| | 60° | 0 | 4.3 | 12.4 | 25.0 | 44.1 | 74.1 | 124.1 | 214.5 | 355 |
| | 90° | 0 | 8.1 | 23.6 | 47.5 | 88.8 | 140.8 | 235.7 | 407.50 | 675 |
| 6" | 30-60° | 0 | 4.7 | 13.7 | 27.6 | 28.7 | 81.9 | 137.0 | 236.9 | 392.0 |
| | 60° | 0 | 9.6 | 28.0 | 56.3 | 99.3 | 166.8 | 279.3 | 482.8 | 799.0 |
| | 90° | 0 | 17.7 | 51.6 | 103.8 | 183.1 | 307.6 | 514.9 | 890.2 | 1473.0 |