



JOB NAME:	CONTRACTOR:
JOB LOCATION:	APPROVAL:
ENGINEER:	CONTRACTOR P.O.:
APPROVAL:	REPRESENTATIVE:

<b>EP700076V36DA</b>	<b>30-60°</b>	<b>EP700076V36SR</b>	<b>30-60°</b>
<b>EP700076V6DA</b>	<b>60°</b>	<b>EP700076V6SR</b>	<b>60°</b>
<b>EP700076V9DA</b>	<b>90°</b>	<b>EP700076V9SR</b>	<b>90°</b>

**700076V36/V6/V9, 2-PC DIRECT MOUNT, 2-WAY STAINLESS STEEL V-BALL VALVE, FULL PORT BALL VALVE WITH DOUBLE ACTING PNEUMATIC ACTUATOR AND ELECTRO-PNEUMATIC ENP-B 4-20 mA POSITIONER**

**SIZES 1/2" TO 3"**

**700076V36/V6/V9, 2-PC DIRECT MOUNT, 2-WAY STAINLESS STEEL V-BALL VALVE, FULL PORT BALL VALVE WITH SPRING RETURN PNEUMATIC ACTUATOR AND ELECTRO-PNEUMATIC ENP-B 4-20 mA POSITIONER**

**SIZES 1/2" TO 3"**

## SPECIFICATIONS

The Bonomi EP700076V36-V6-V9 series pneumatic actuated V-ball valve offers precise proportional control in the smallest total envelope in our industry. This is due to the low torque design of the 700076V stainless steel 30-60, 60, 90 degree V-port ball valve with 23% carbon-filled and 2% graphite-filled seats. Further the 700076V36-V6-V9 incorporates dual Viton O-ring stem seals for leak free and long-lasting performance.

The Valbia pneumatic actuator comes with a hard-anodized aluminum body, and powder coated end caps. In addition, all Valbia pneumatic actuators are standardly furnished with elevated temperature seals to 302°F. The patented side loaded limit stops never enter the piston chamber eliminating extra possible leak paths. The assembled package also features a compact ENP-B positioner with an input signal of 4-20 mA.

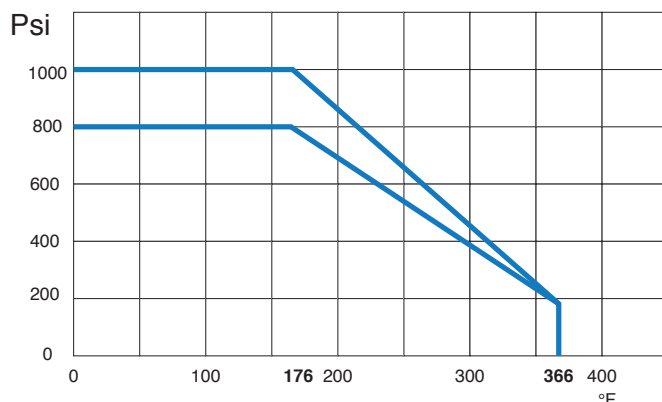
## ACTUATOR FEATURES

- Hard anodized extruded aluminum body
- Concentric spring sets
- Die cast aluminum end caps
- Solid steel barstock pinion (not casting)
- 0°-90° rotation adjustment cam
- 0°-90° rotation adjustment bolts
- POM piston guides
- Minimum air pressure rating: 80 psi
- Maximum air pressure rating: 116 psi
- Working temperature: -4°F - 302°F
- No lubrication maintenance required for the entire actuator lifetime
- 100% factory tested

## VALVE FEATURES

- 30-60°, 60°, 90° V-port, sizes 1/2" to 2"
- 1/2" to 2" - Pressure rating 1000 psi, 150 psi steam
- Temperature range -4°F to 366°F
- Blow out proof stem
- 23% Carbon-Filled P.T.F.E. and 2% Graphite Filled P.T.F.E. seats
- Low operating torque
- P.T.F.E. seals and double O-ring stem packing
- 100° electronically tested in the open and closed position at 80 psi
- ISO 5211 mounting pad/square stem
- ANSI B1.20.1 connections

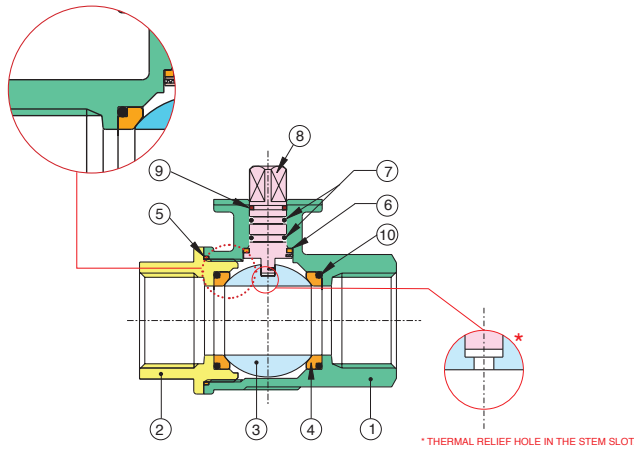
### PRESSURE - TEMPERATURE CHART FOR SERIES 700076V36/V6/V9



### EP700076V \* DA - EP700076V \* SR V-BALL SERIES MODEL OPTIONS

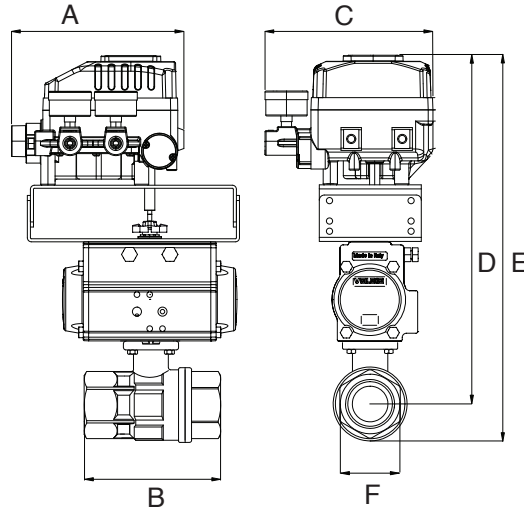
	<b>90° V-BALL</b>
	<b>EP700076V9DA</b> <b>EP700076V9SR</b>
	<b>60° V-BALL</b>
	<b>EP700076V6DA</b> <b>EP700076V6SR</b>
	<b>30-60° V-BALL</b>
	<b>EP700076V36DA</b> <b>EP700076V36SR</b>

## BILL OF MATERIALS FOR 700076V36-V6-V9



N POS	PART NAME	MATERIAL	N PCS
1	BODY	CF8M	1
2	END CONNECTION	CF8M	1
3	BALL	AISI 316 - CF8M	1
4	BALL SEAT	23% CARBON + 2% GRAPHITE FILLED P.T.F.E.	2
5	SEAL	P.T.F.E.	1
6	STEM SEAL	P.T.F.E.	1
7	O-RING	FKM (Viton®)	2
8	STEM	AISI 316	1
9	STEM SEAL	P.T.F.E.	1
10	O-RING	FKM (Viton®)	2

## DIMENSIONS



**EP700076V36DA** 700076V36 with **DA** Actuator & ENP-B Positioner  
**EP700076V6DA** 700076V6 with **DA** Actuator & ENP-B Positioner  
**EP700076V9DA** 700076V9 with **DA** Actuator & ENP-B Positioner

**EP700076V36SR** 700076V36 with **SR** Actuator & ENP-B Positioner  
**EP700076V6SR** 700076V6 with **SR** Actuator & ENP-B Positioner  
**EP700076V9SR** 700076V9 with **SR** Actuator & ENP-B Positioner

Size	A	B	C	D	E	F	ACT. DA
1/2"	6.65	7.53	6.98	7.04	7.71	2.63	52
3/4"	6.65	7.76	6.98	7.12	7.90	3.07	52
1"	6.65	8.33	6.98	7.55	8.49	3.54	52
1-1/4"	6.65	8.73	6.98	7.67	8.85	3.93	52
1-1/2"	6.65	11.3	6.98	9.72	11.17	4.15	52
2"	6.65	12.0	6.98	10.07	11.88	4.80	52

Size	A	B	C	D	E	F	ACT. SR
1/2"	6.65	7.53	6.98	8.46	9.12	2.63	52
3/4"	6.65	7.76	6.98	9.53	10.32	3.07	52
1"	6.65	8.33	6.98	10.97	11.95	3.54	52
1-1/4"	6.65	8.73	6.98	12.12	13.27	3.93	52
1-1/2"	6.65	11.3	6.98	14.15	15.61	4.15	63
2"	6.65	12.0	6.98	15.50	17.31	4.80	63

## CV VERSUS VALVE OPENING PERCENTAGE

Size	Degree	10°	20°	30°	40°	50°	60°	70°	80°	90°
1/2"	30-60°	0.05	0.06	0.20	0.50	0.80	1.40	2.20	3.60	5.30
	60°	0.05	0.06	0.30	0.80	1.40	2.50	4.20	7.10	10.80
	90°	0.06	0.08	0.40	1.00	1.90	3.40	6.10	10.50	15.80
3/4"	30-60°	0.00	0.10	0.50	1.00	1.80	3.00	4.70	7.80	11.40
	60°	0.09	0.19	0.50	1.20	2.20	3.80	6.70	11.60	19.80
	90°	0.09	0.19	0.50	1.40	2.80	5.00	9.00	16.70	27.50
1"	30-60°	0.00	0.10	0.70	1.50	2.70	4.30	6.90	10.90	14.90
	60°	0.00	0.18	0.80	2.00	3.60	6.20	9.80	17.10	26.90
	90°	0.00	0.13	0.80	2.30	4.40	8.20	13.90	24.10	39.20
1-1/4"	30-60°	0.00	0.20	0.70	1.30	2.30	3.90	6.50	11.30	18.00
	60°	0.00	0.40	1.30	2.50	4.50	7.60	12.70	21.90	36.00
	90°	0.00	0.80	2.20	4.50	8.00	13.40	22.40	38.80	64.00
1-1/2"	30-60°	0.13	0.20	1.20	2.90	5.30	8.80	13.90	21.30	31.20
	60°	0.13	0.40	1.60	3.60	7.90	15.70	23.80	38.10	61.50
	90°	0.13	0.80	2.90	6.60	12.00	20.80	35.80	62.30	114.10
2"	30-60°	0.04	1.40	3.90	7.40	12.30	19.20	28.30	42.60	61.70
	60°	0.15	1.30	4.40	9.20	16.10	26.60	44.10	69.70	101.10
	90°	0.15	1.50	5.60	11.50	21.40	36.80	63.50	108.20	184.60
2-1/2"	30-60°	0.06	2.19	6.13	11.49	19.24	30.03	44.19	66.64	96.37
	60°	0.24	2.07	6.82	14.33	25.08	41.58	68.92	108.96	157.93
	90°	0.24	2.41	8.67	18.00	33.47	57.52	99.19	168.99	288.42
3"	30-60°	0.32	2.20	7.10	13.90	23.80	37.00	57.60	86.60	128.10
	60°	0.31	3.00	9.60	20.40	35.00	58.50	94.60	147.00	233.60
	90°	0.31	3.70	12.70	26.40	49.40	85.80	140.80	242.20	418.70