



JOB NAME:	CONTRACTOR:
JOB LOCATION:	APPROVAL:
ENGINEER:	CONTRACTOR P.O.:
APPROVAL:	REPRESENTATIVE:

DA97T-STC

97T-STC 3-WAY T-PORT STAINLESS STEEL, CAVITY-FILLED BLOCK BODY W/ SANITARY TRI-CLAMP ENDS, FULL PORT BALL VALVE W/ **DOUBLE ACTING** ACTUATOR

SR97T-STC

97T-STC 3-WAY T-PORT STAINLESS STEEL, CAVITY-FILLED BLOCK BODY W/ SANITARY TRI-CLAMP ENDS, FULL PORT BALL VALVE W/ **SPRING RETURN** ACTUATOR

SIZES 1/2" TO 4"

DA97L-STC

97L-STC 3-WAY L-PORT STAINLESS STEEL, CAVITY-FILLED BLOCK BODY W/ SANITARY TRI-CLAMP ENDS, FULL PORT BALL VALVE W/ **DOUBLE ACTING** ACTUATOR

SR97L-STC

97L-STC 3-WAY L-PORT STAINLESS STEEL, CAVITY-FILLED BLOCK BODY W/ SANITARY TRI-CLAMP ENDS, FULL PORT BALL VALVE W/ **SPRING RETURN** ACTUATOR

SIZES 1/2" TO 4"

SPECIFICATIONS

The DA97T-STC/DA97L-STC/SR97T-STC/SR97L-STC pneumatic actuated packages include the 97 series cavity-filled block style, with sanitary tri-clamp ends, ISO 5211 direct mount, three-way (T or L), full port, ASTM A 351-CF8M stainless steel ball valve. The block style allows versatility to offer a T-port or an L-port.

The Valbia pneumatic actuator comes with a hard-anodized aluminum body, and powder coated end caps. In addition, all Valbia pneumatic actuators are standardly furnished with elevated temperature seals to 302°F. The patented side loaded limit stops never enter the piston chamber eliminating extra possible leak paths.

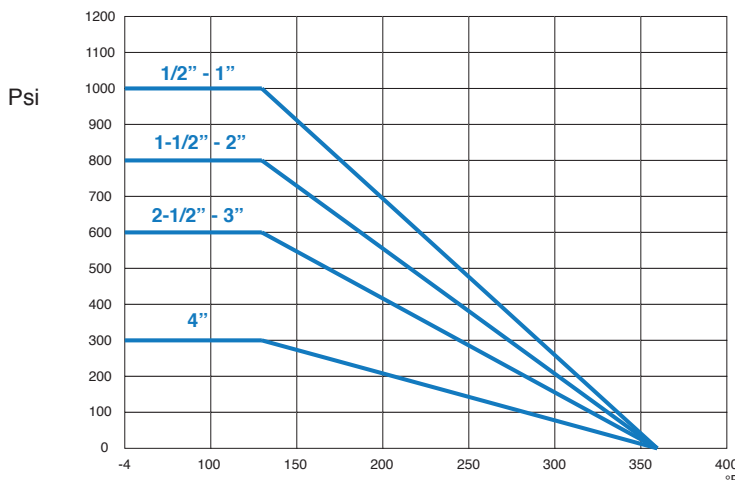
ACTUATOR FEATURES

- Hard anodized extruded aluminum body
- Concentric spring sets
- Die cast aluminum end caps
- Solid steel barstock pinion (not casting)
- 0°-90° rotation adjustment cam
- 0°-90° rotation adjustment bolts
- POM piston guides
- Minimum air pressure rating: 80 psi
- Maximum air pressure rating: 116 psi
- Working temperature: -4°F - 302°F
- No lubrication maintenance required for the entire actuator lifetime
- 100% factory tested
- Also available with Stainless Steel Pneumatic Actuator

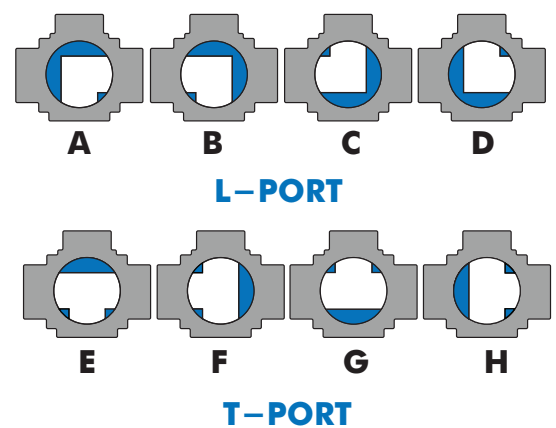
VALVE FEATURES

- Cavity-filled, Stainless Steel w Sanitary Tri-Clamp Ends
- Full port, sizes 1/2" to 4"
- Pressure rating 1/2" to 1" - 1000 psi, 1-1/2" to 2" - 800 psi, 2-1/2" to 3" - 600 psi, 4" - 300 psi
- Temperature range -4°F to 366°F
- Live loaded stem packing
- R.P.T.F.E. seats & seals
- All stainless steel external components
- ISO 5211 mounting pad with square stem

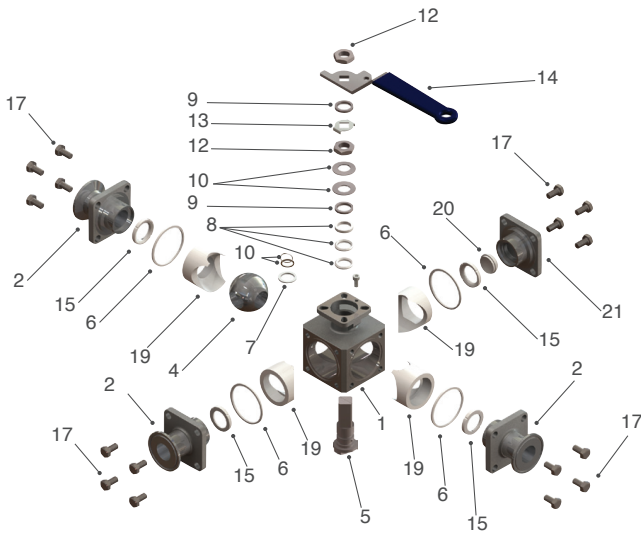
PRESSURE - TEMPERATURE CHART FOR SERIES 97T-STC/97L-STC



PORT CONFIGURATIONS



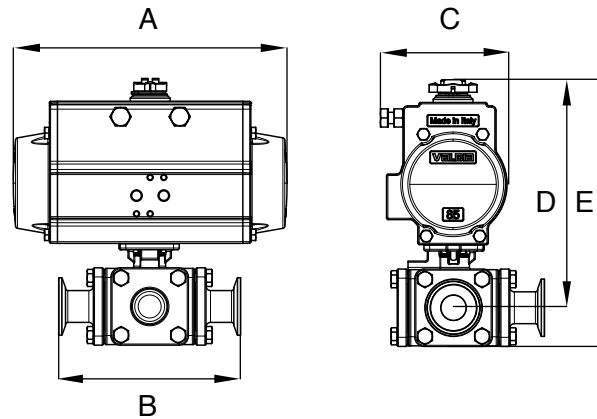
BILL OF MATERIALS FOR 97T-STC/97L-STC



N POS	PART NAME	MATERIAL	N PCS
1	BODY	CF3M	1
2	END CAPS	CF3M	3
3	SEATS	PTFE	4
4	BALL	SS 316	1
5	STEM	SS 316	1
6	JOINT GASKET	PTFE	4
7	BODY GASKET	PTFE	1
8	STEM SEATS	PTFE	3
9	GLAND RING	SS 304	2
10	O-RING	Viton (FKM)	1
11	BELLEVILLE WASHER	SS 301	2

N POS	PART NAME	MATERIAL	N PCS
12	LEVER NUT	SS 304	2
13	LOCKING TAB	SS 304	1
14	HANDLE	SS 304	1
15	BALL SEATS	PTFE	4
16	STOP SCREW	SS 304	1
17	BOLTS	SS 304	16
18	ANTI-STATIC DEVICE	SS 316	1
19	CAVITY FILLERS	PTFE	4
20	BACK PLUG	PTFE	1
21	BACK PLATE	CF3M	1

DIMENSIONS



DA97T-STC DA97L-STC

97T-STC W/ **DOUBLE ACTING** ACTUATOR
97L-STC W/ **DOUBLE ACTING** ACTUATOR

SR97T-STC SR97L-STC

97T-STC W/ **SPRING RETURN** ACTUATOR
97L-STC W/ **SPRING RETURN** ACTUATOR

Size	A	B	C	D	E	ACT. DA
1/2"	5.55	4.33	2.80	5.54	6.00	52
3/4"	5.55	4.69	2.80	5.77	6.30	52
1"	6.46	6.00	3.17	6.72	7.40	63
1-1/2"	8.27	7.50	3.72	8.18	9.09	75
2"	8.27	8.50	3.72	8.57	9.59	75
2-1/2"	9.47	8.98	4.17	9.55	10.70	85
3"	10.83	12.00	4.84	11.07	12.53	100
4"	13.11	13.00	5.39	13.08	14.73	115

Size	A	B	C	D	E	ACT. SR
1/2"	8.27	4.33	3.72	6.70	7.16	75
3/4"	8.27	4.69	3.72	6.93	7.46	75
1"	9.47	6.00	4.17	7.98	8.66	85
1-1/2"	10.83	7.50	4.84	9.23	10.14	100
2"	13.11	8.50	5.39	10.98	12.00	115
2-1/2"	14.65	8.98	5.83	11.89	13.04	125
3"	19.69	12.00	7.32	14.74	16.20	160
4"	19.41	13.00	8.38	16.65	18.30	180