



JOB NAME:	CONTRACTOR:
JOB LOCATION:	APPROVAL:
ENGINEER:	CONTRACTOR P.O.:
APPROVAL:	REPRESENTATIVE:

DA97T

97T 3-WAY T-PORT STAINLESS STEEL, BLOCK BODY, FULL PORT BALL VALVE W/ **DOUBLE ACTING** ACTUATOR

SR97T

97T 3-WAY T-PORT STAINLESS STEEL, BLOCK BODY, FULL PORT BALL VALVE W/ **SPRING RETURN** ACTUATOR

SIZES 1/2" TO 4"

DA97L

97L 3-WAY L-PORT STAINLESS STEEL, BLOCK BODY, FULL PORT BALL VALVE W/ **DOUBLE ACTING** ACTUATOR

SR97L

97L 3-WAY L-PORT STAINLESS STEEL, BLOCK BODY, FULL PORT BALL VALVE W/ **SPRING RETURN** ACTUATOR

SIZES 1/2" TO 4"

DA97X

97X 4-WAY DOUBLE L-PORT STAINLESS STEEL, BLOCK BODY, FULL PORT BALL VALVE W/ **DOUBLE ACTING** ACTUATOR

SR97X

97X 4-WAY DOUBLE L-PORT STAINLESS STEEL, BLOCK BODY, FULL PORT BALL VALVE W/ **SPRING RETURN** ACTUATOR

SIZES 1/2" TO 4"

SPECIFICATIONS

The DA97T/DA97L/DA97X/SR97T/SR97L/SR97X pneumatic actuated packages include the 97 series block style, ISO 5211 direct mount, three-way (T or L) and four-way (Double L), full port, ASTM A 351-CF8M stainless steel ball valve. The block style allows versatility to offer a T, an L, or double L port configurations.

The Valbia pneumatic actuator comes with a hard-anodized aluminum body, and powder coated end caps. In addition, all Valbia pneumatic actuators are standardly furnished with elevated temperature seals to 302°F. The patented side loaded limit stops never enter the piston chamber eliminating extra possible leak paths.

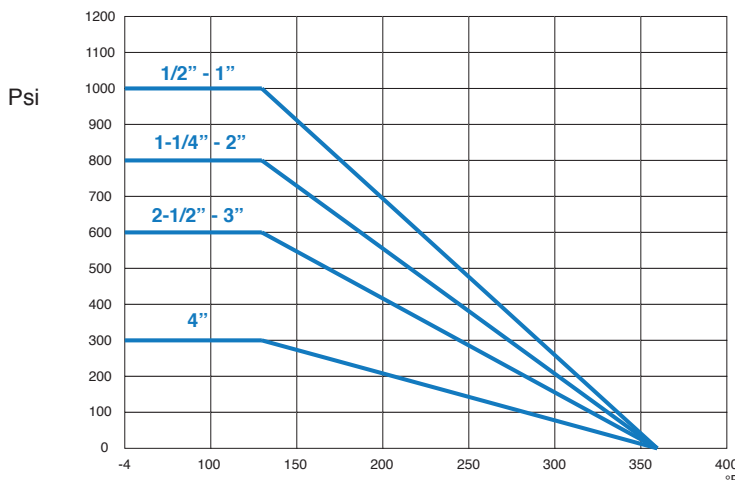
ACTUATOR FEATURES

- Hard anodized extruded aluminum body
- Concentric spring sets
- Die cast aluminum end caps
- Solid steel barstock pinion (not casting)
- 0°-90° rotation adjustment cam
- 0°-90° rotation adjustment bolts
- POM piston guides
- Minimum air pressure rating: 80 psi
- Maximum air pressure rating: 116 psi
- Working temperature: -4°F - 302°F
- No lubrication maintenance required for the entire actuator lifetime
- 100% factory tested
- Also available with Stainless Steel Pneumatic Actuator

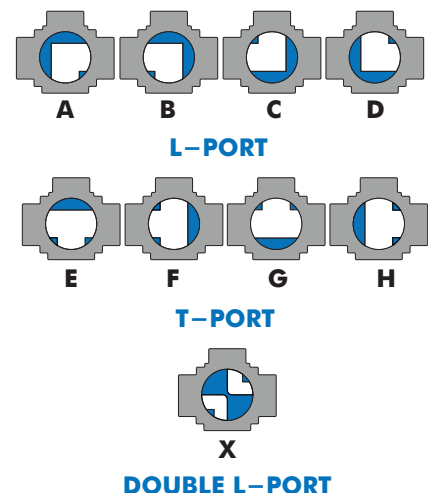
VALVE FEATURES

- Stainless Steel
- Full port, sizes 1/2" to 4"
- Pressure rating 1/2" to 1" - 1000 psi, 1-1/4" to 2" - 800 psi, 2-1/2" to 3" - 600 psi, 4" - 300 psi
- Temperature range -4°F to 366°F
- Live loaded stem packing
- R.P.T.F.E. seats & seals
- All stainless steel external components
- ISO 5211 mounting pad with square stem

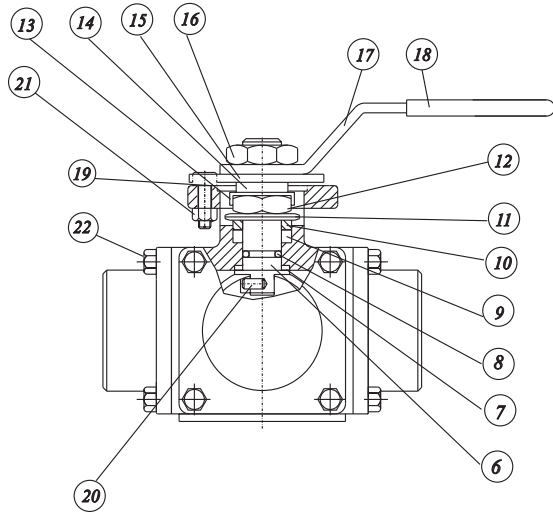
PRESSURE - TEMPERATURE CHART FOR SERIES 97T/97L/97X



PORT CONFIGURATIONS



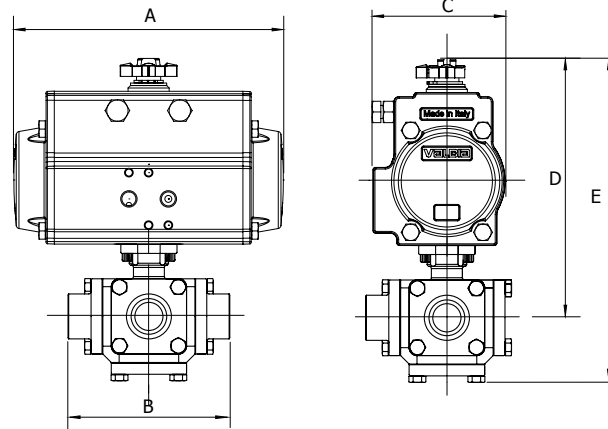
BILL OF MATERIALS FOR 97T/97L/97X



N POS	PART NAME	MATERIAL	N PCS
1	END CAPS	A351 CF8M	3
2	GASKET	P.T.F.E.	4
3	BODY	A351 CF8M	1
4	BALL	SS 316	1
5	BALL SEATS	R.P.T.F.E.	4
6	THRUST WASHER	R.P.T.F.E.	1
7	STEM	SS 316	1
8	O-RING	FKM (Viton®)	1
9	STEM PACKING	P.T.F.E.	1
10	GLAND	SS 304	2
11	DISC WASHER	SS 301	1

N POS	PART NAME	MATERIAL	N PCS
12	STEM NUT	SS 304	1
13	NUT STOP	SS 304	1
14	SPACE WASHER	SS 304	1
15	STOPPER PLATE	SS 304	1
16	HANDLE NUT	SS 304	1
17	HANDLE	SS 304	1
18	HANDLE SLEEVE	VINYL	1
19	INSERT PIN	SS 304	1
20	STOP PIN	SS 316	1
21	STOP PIN NUT	SS 304	1
22	BOLTS	SS 304	8

DIMENSIONS



DA97T
DA97L
DA97X

97T W/ **DOUBLE ACTING** ACTUATOR
97L W/ **DOUBLE ACTING** ACTUATOR
97X W/ **DOUBLE ACTING** ACTUATOR

SR97T
SR97L
SR97X

97T W/ **SPRING RETURN** ACTUATOR
97L W/ **SPRING RETURN** ACTUATOR
97X W/ **SPRING RETURN** ACTUATOR

Size	A	B	C	D	E	ACT. DA
1/2"	5.55	3.62	2.80	5.72	7.10	52
3/4"	6.46	4.33	3.17	6.58	8.36	63
1"	8.27	5.66	3.72	7.68	9.91	75
1-1/4"	8.27	5.78	3.72	8.25	10.60	75
1-1/2"	9.47	6.45	9.47	9.44	12.28	85
2"	10.83	7.24	10.83	10.20	13.36	100
2-1/2"	13.11	8.97	13.11	12.29	16.10	115
3"	13.11	10.43	13.11	12.80	16.93	115
4"	14.65	12.48	14.65	14.51	19.67	125

Size	A	B	C	D	E	ACT. SR
1/2"	6.46	3.62	3.17	6.17	7.55	63
3/4"	9.47	4.33	4.17	7.84	9.62	85
1"	13.11	5.66	5.39	10.09	12.32	115
1-1/4"	13.11	5.78	5.39	10.66	13.01	115
1-1/2"	14.65	6.45	5.83	11.78	14.62	125
2"	17.13	7.24	6.46	12.93	16.09	140
2-1/2"	19.69	8.97	7.32	14.60	18.41	160
3"	19.69	10.43	7.32	15.11	19.24	160
4"	19.41	13.00	8.38	16.65	18.30	180