



JOB NAME:	CONTRACTOR:
JOB LOCATION:	APPROVAL:
ENGINEER:	CONTRACTOR P.O.:
APPROVAL:	REPRESENTATIVE:

## DABFVSTCE

**BFVSTCE** STAINLESS STEEL BUTTERFLY VALVE WITH SANITARY TRI-CLAMP ENDS AND EPDM SEAT WITH **DOUBLE ACTING** PNEUMATIC ACTUATOR

SIZES 1/2" TO 8"

## SRBFVSTCE

**BFVSTCE** STAINLESS STEEL BUTTERFLY VALVE WITH SANITARY TRI-CLAMP ENDS AND EPDM SEAT WITH **SPRING RETURN** PNEUMATIC ACTUATOR

SIZES 1/2" TO 8"

### SPECIFICATIONS

The DABFVSTCE/SRBFVSTCE pneumatic actuated package features the BFVSTCE sanitary butterfly valve with sanitary tri-clamp ends and an EPDM seat.

The valve has a 3-A surface finish and meets all related FDA and USDA standards, The disc also has a mirror finish for prevention of particles and obstructions.

The Valbia pneumatic actuator comes with a hard-anodized aluminum body, and powder coated end caps. In addition, all Valbia pneumatic actuators are standardly furnished with elevated temperature seals to 302F. The patented side loaded limit stops never enter the piston chamber eliminating extra possible leak paths.

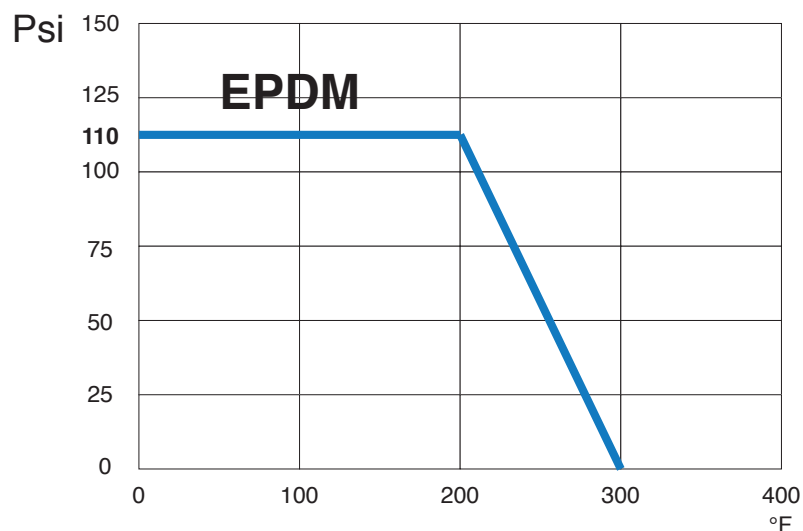
### ACTUATOR FEATURES

- Hard anodized extruded aluminum body
- Concentric spring sets
- Die cast aluminum end caps
- Solid steel barstock pinion (not casting)
- 0°-90° rotation adjustment cam
- 0°-90° rotation adjustment bolts
- POM piston guides
- Minimum air pressure rating: 80 psi
- Maximum air pressure rating: 116 psi
- Working temperature: -4°F - 302°F
- No lubrication maintenance required for the entire actuator lifetime
- 100% factory tested

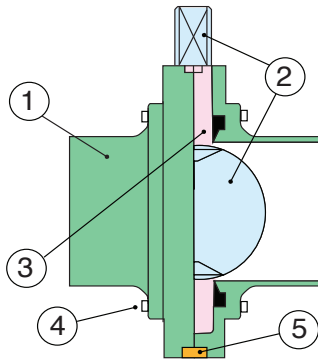
### VALVE FEATURES

- AISI 316 L Stainless Steel
- EPDM seat standard
- Silicone or FKM (Viton) seats optional
- Full port, sizes 1/2" to 8"
- Sanitary Tri-Clamp Ends
- Surface finish meets 3-A, FDA & USDA standards
- 13-position, 304SS spring loaded lever lock handle 1/2" to 6"
- 110 PSI @ 200°F

### PRESSURE - TEMPERATURE CHART FOR SERIES BFVSTCE

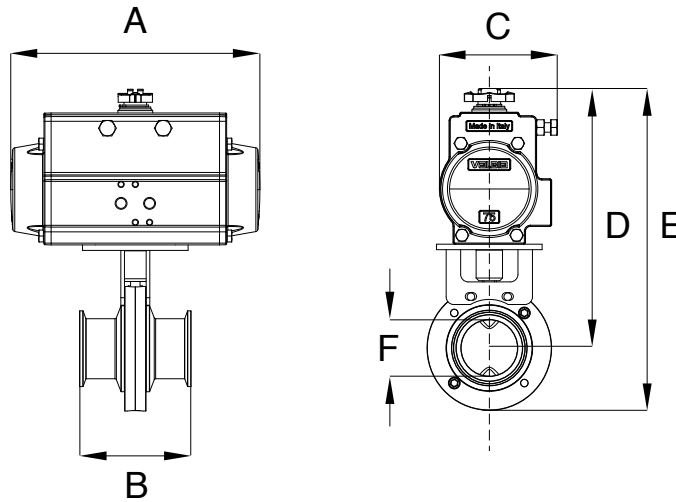


## BILL OF MATERIALS FOR BFVSTCE



N POS	PART NAME	MATERIAL	N PCS
1	BODY HALF	316L	2
2	DISC	316L	1
3	SEAT	EPDM	1
4	BODY BOLTS	304SS	4
5	BODY CAP	BUNA-N	1

## DIMENSIONS



### DABFVSTCE

 BFVSTCE W/ **DOUBLE ACTING** ACTUATOR

Size	A	B	C	D	E	F	ACT. DA
1/2"	5.55	3.50	2.80	6.55	8.10	3.00	52
3/4"	5.55	3.50	2.80	6.55	8.10	3.00	52
1"	5.55	3.50	2.80	6.56	8.11	0.87	52
1-1/2"	6.46	3.50	3.17	7.13	8.80	1.37	63
2"	8.27	3.74	3.72	8.73	10.79	1.87	75
2-1/2"	8.27	3.82	3.72	8.87	11.07	2.37	75
3"	8.27	4.06	3.72	9.12	11.58	2.84	75
4"	8.27	4.78	3.72	10.25	13.34	3.84	75
6"	10.83	6.00	4.84	12.31	16.41	5.84	100
8"	10.83	6.56	4.84	13.82	19.43	7.93	100

### SRBFVSTCE

 BFVSTCE W/ **SPRING RETURN** ACTUATOR

Size	A	B	C	D	E	F	ACT. SR
1/2"	6.46	3.50	3.17	7.00	8.55	3.00	63
3/4"	6.46	3.50	3.17	7.00	8.55	3.00	63
1"	8.27	3.50	3.72	7.72	9.27	0.87	75
1-1/2"	8.27	3.50	3.72	7.84	9.51	1.37	75
2"	9.47	3.74	4.17	9.28	11.34	1.87	85
2-1/2"	9.47	3.82	4.17	9.42	11.62	2.37	85
3"	10.83	4.06	4.84	10.17	12.63	2.84	100
4"	13.11	4.78	5.39	12.66	15.75	3.84	115
6"	17.13	6.00	6.46	15.04	19.14	5.84	140
8"	17.13	6.56	6.46	16.55	22.16	7.93	140