



JOB NAME:	CONTRACTOR:
JOB LOCATION:	APPROVAL:
ENGINEER:	CONTRACTOR P.O.:
APPROVAL:	REPRESENTATIVE:

### DA97T-STC

**97T-STC 3-WAY T-PORT STAINLESS STEEL, CAVITY-FILLED BLOCK BODY W/ SANITARY TRI-CLAMP ENDS, FULL PORT BALL VALVE W/ DOUBLE ACTING ACTUATOR SIZES 1/2" TO 4"**

### SR97T-STC

**97T-STC 3-WAY T-PORT STAINLESS STEEL, CAVITY-FILLED BLOCK BODY W/ SANITARY TRI-CLAMP ENDS, FULL PORT BALL VALVE W/ SPRING RETURN ACTUATOR SIZES 1/2" TO 4"**

### SPECIFICATIONS

The DA97T-STC/DA97L-STC/SR97T-STC/SR97L-STC pneumatic actuated packages include the 97 series cavity-filled block style, with sanitary tri-clamp ends, ISO 5211 direct mount, three-way (T or L), full port, ASTM A 351-CF8M stainless steel ball valve. The block style allows versatility to offer a T-port or an L-port.

The Valbia pneumatic actuator comes with a hard-anodized aluminum body, and powder coated end caps. In addition, all Valbia pneumatic actuators are standardly furnished with elevated temperature seals to 302°F. The patented side loaded limit stops never enter the piston chamber eliminating extra possible leak paths.

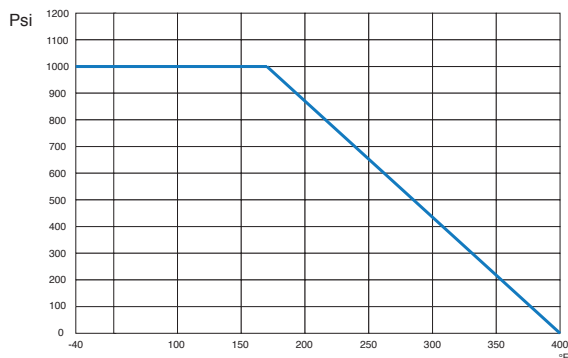
### ACTUATOR FEATURES

- Hard anodized extruded aluminum body
- Concentric spring sets
- Die cast aluminum end caps
- Solid steel barstock pinion (not casting)
- 0°-90° rotation adjustment cam
- 0°-90° rotation adjustment bolts
- POM piston guides
- Minimum air pressure rating: 80 psi
- Maximum air pressure rating: 116 psi
- Working temperature: -4°F - 302°F
- No lubrication maintenance required for the entire actuator lifetime
- 100% factory tested

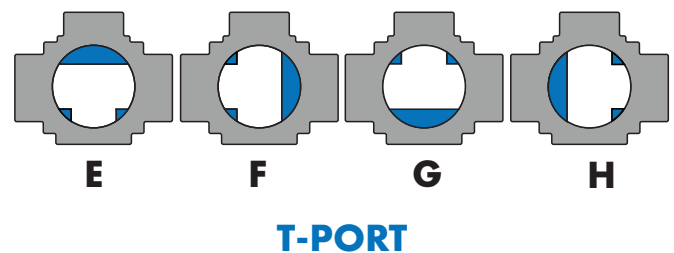
### VALVE FEATURES

- Stainless Steel CF3M block body
- Full port, sizes 1/2" to 4"
- Pressure rating 1000 psi
- ISO 5211 direct mounting pad w/ square stem
- 8-12 Ra finish and cavity fillers meets FDA, USDA and 3A requirements
- Temperature range -40°F to 400°F
- Blow-out proof stem
- P.T.F.E. seats & seals
- Anti-static device
- 100% tested
- All stainless steel external components
- Extended butt weld and 4-way double L-port available upon request

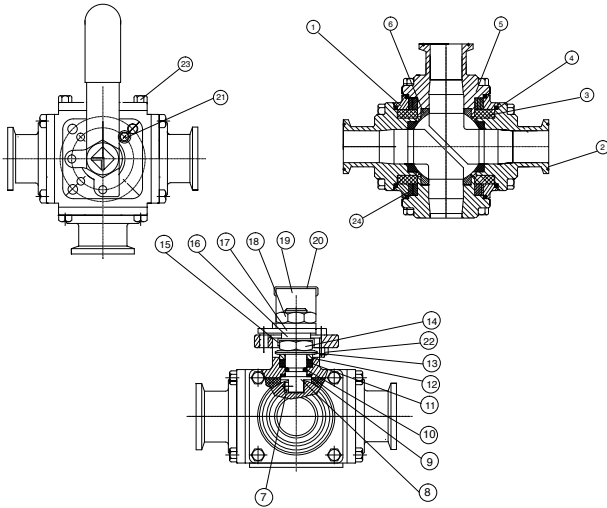
### PRESSURE TEMPERATURE CHART FOR 97T-STC



### FLOW PATH VARIATIONS



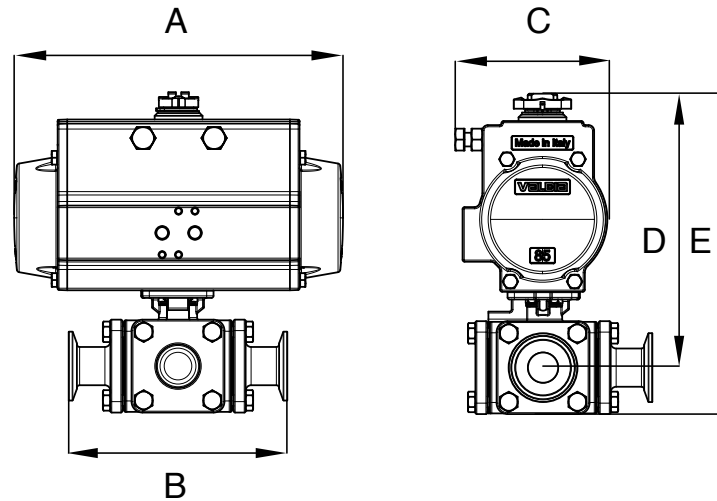
## BILL OF MATERIALS FOR 97T-STC



N POS	PART NAME	MATERIAL	N PCS
1	BODY	CF8M	1
2	T-CLAMP END	CF8M	3
3	CAVITY FILLER	PTFE	4
4	GASKET	PTFE	4
5	BLANK CAP	CF8M	4
6	SEAT	PTFE	4
7	INSERT PIN	SS 316	1
8	STEM	SS 316	1
9	THRUST WASHER	RPTFE	2
10	O-RING	VITON	1
11	STEM PACKING	PTFE	1
12	GLAND	SS 304	2

N POS	PART NAME	MATERIAL	N PCS
13	DISK WASHER	SS 301	1
14	STEM NUT	SS 304	3
15	NUT STOP	SS 304	1
16	SPACE WASHER	SS 304	1
17	STOPPER PLATE	SS 304	1
18	HANDLE NUT	SS 304	1
19	HANDLE	SS 304	1
20	SLEEVE	PLASTIC	1
21	STOP PIN	SS 304	1
22	STOP PIN NUT	SS 304	1
23	BOLTS	SS 304	16
24	FILLER HOUSING	SS 304	4

## DIMENSIONS



### DA97T-STC

WITH DOUBLE ACTING ACTUATOR

SIZE	A	B	C	D	E	ACT.
1/2"	5.55	4.33	2.80	5.54	6.00	DA52V
3/4"	6.46	4.69	3.17	6.22	6.75	DA63V
1"	6.46	6.00	3.17	6.72	7.40	DA63V
1-1/2"	8.27	7.50	3.72	8.18	9.09	DA75V
2"	8.27	8.50	3.72	8.57	9.59	DA75V
2-1/2"	10.83	8.98	4.84	10.05	11.20	DA100V
3"	10.83	12.00	4.84	11.07	12.53	DA100V
4"	13.11	13.00	5.39	13.08	14.73	DA115V

### SR97T-STC

WITH SPRING RETURN ACTUATOR

SIZE	A	B	C	D	E	ACT.
1/2"	6.46	2.64	3.17	5.99	6.45	SR63V
3/4"	9.47	2.99	4.17	7.48	8.01	SR85V
1"	9.47	3.35	4.17	7.98	8.66	SR85V
1-1/2"	10.83	4.13	4.84	9.23	10.14	SR100V
2"	13.11	4.80	5.39	10.98	12.00	SR115V
2-1/2"	17.13	6.10	6.46	12.78	13.93	SR140V
3"	17.13	6.89	6.46	13.80	15.26	SR140V
4"	19.41	8.03	8.38	16.65	18.30	SR180V