



JOB NAME:	CONTRACTOR:
JOB LOCATION:	APPROVAL:
ENGINEER:	CONTRACTOR P.O.:
APPROVAL:	REPRESENTATIVE:

DA8300

8300 ANSI 300 CLASS, CARBON STEEL HIGH PERFORMANCE WAFER STYLE BUTTERFLY VALVE WITH STAINLESS STEEL DISC WITH **DOUBLE ACTING PNEUMATIC ACTUATOR**

DA9300

9300 ANSI 300 CLASS, STAINLESS STEEL HIGH PERFORMANCE WAFER STYLE BUTTERFLY VALVE WITH STAINLESS STEEL DISC WITH **DOUBLE ACTING PNEUMATIC ACTUATOR**

SIZES 2" TO 12"

SR8300

8300 ANSI 300 CLASS, CARBON STEEL HIGH PERFORMANCE WAFER STYLE BUTTERFLY VALVE WITH STAINLESS STEEL DISC WITH **SPRING RETURN PNEUMATIC ACTUATOR**

SR9300

9300 ANSI 300 CLASS, STAINLESS STEEL HIGH PERFORMANCE WAFER STYLE BUTTERFLY VALVE WITH STAINLESS STEEL DISC WITH **SPRING RETURN PNEUMATIC ACTUATOR**

SIZES 2" TO 12"

SPECIFICATIONS

The DA8300/DA9300/SR8300/SR9300 series pneumatic actuated packages feature ANSI Class 300, wafer style, carbon steel 8300 or stainless steel 9300 high performance butterfly valves. The valves also feature multiple V-ring and direct ISO 5211 mounting

The Valbia pneumatic actuator comes with a hard-anodized aluminum body, and powder coated end caps. In addition, all Valbia pneumatic actuators are standardly furnished with elevated temperature seals to 302°F. The patented side loaded limit stops never enter the piston chamber eliminating extra possible leak paths

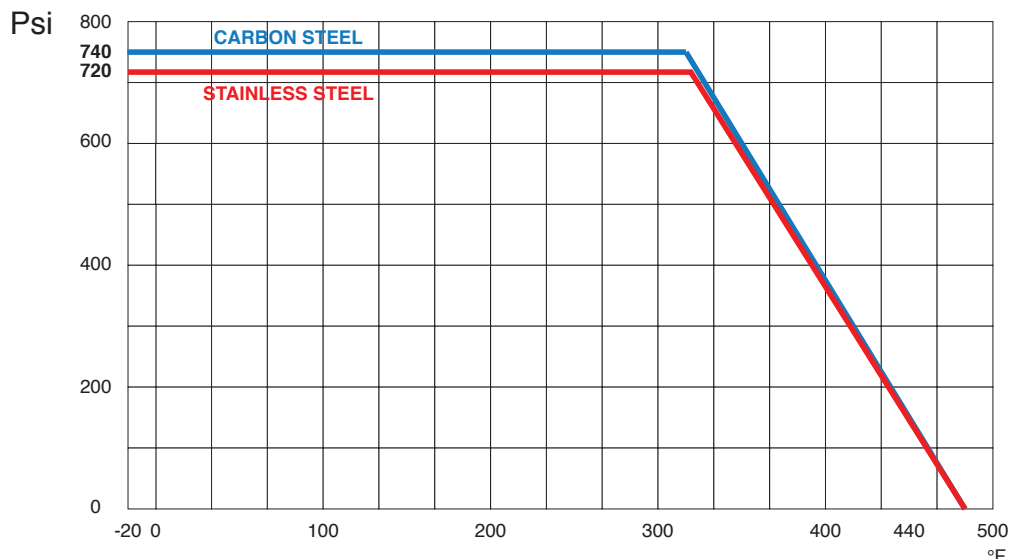
ACTUATOR FEATURES

- Hard anodized extruded aluminum body
- Concentric spring sets
- Die cast aluminum end caps
- Solid steel barstock pinion (not casting)
- 0°-90° rotation adjustment cam
- 0°-90° rotation adjustment bolts
- POM piston guides
- Minimum air pressure rating: 80 psi
- Maximum air pressure rating: 116 psi
- Working temperature: -4°F - 302°F
- No lubrication maintenance required for the entire actuator lifetime
- 100% factory tested

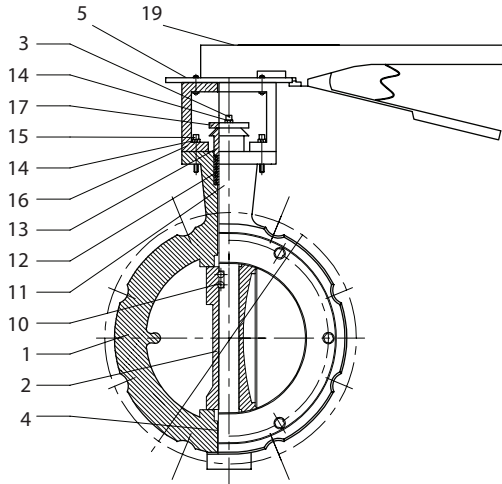
VALVE FEATURES

- ISO 5211 Direct Mount
- Sizes 2" to 12"
- 8300 - Carbon Steel Wafer body
- 9300 - Stainless Steel Wafer body
- Compact Design, Easy Access to Packing
- Replaceable Seat Design
- Multiple V-Ring Stem Packing
- Reliable and Consistent Torques
- Optional Metal to Metal and PTFE Seat Design
- 14" to 24" Sizes Available Upon Request
- 150 WSP
- Temperature range: -20°F to 475°F

PRESSURE – TEMPERATURE CHART FOR SERIES 8300/9300



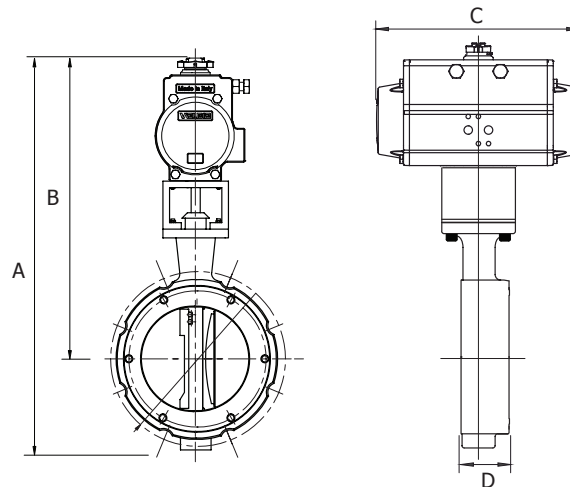
BILL OF MATERIALS FOR 8300/9300



N POS	PART NAME	MATERIAL	N PCS
1	BODY	WCB/CF8M	1
2	DISC	CF8M	1
3	STEM BOLT	SS304	2
4	STEM BUSHING	SS316 + P.T.F.E.	3
5	PLATE	SS304	1
6	SEAT RETAINER	WCB/CF8M	1
7	RETAINER SCREW	SS304	6-8
8	O-RING	VITON®	1
9	SEAT	CARBON FILLED P.T.F.E.	1
10	PIN	SS316	2

N POS	PART NAME	MATERIAL	N PCS
11	STEM	AISI 17-4PH	1
12	V-RING	P.T.F.E.	6-9
13	GLAND BUSHING	SS316	1
14	SPRING WASHER	SS304	4
15	HEX BOLT	SS304	4
16	MOUNTING FLANGE	WCB/CF8M	1
17	GLAND	CF8M	1
18	NUT	SS304	2
19	HANDLE	MALLEABLE IRON	1

DIMENSIONS



DA8300 DA9300

8300 W/ **DOUBLE ACTING** ACTUATOR
 9300 W/ **DOUBLE ACTING** ACTUATOR

SR8300 SR9300

8300 W/ **SPRING RETURN** ACTUATOR
 9300 W/ **SPRING RETURN** ACTUATOR

Size	A	B	C	D	ACT. DA
2"	13.87	10.87	6.46	1.75	63
2-1/2"	13.58	10.87	6.46	1.88	63
3"	15.59	12.56	8.27	1.92	75
4"	16.89	13.39	8.27	2.13	75
5"	19.03	14.78	9.47	2.25	85
6"	20.71	15.81	10.83	2.31	100
8"	23.87	18.37	13.11	2.50	115
10"	27.31	19.41	14.65	2.81	125
12"	31.94	23.28	17.13	3.23	140

Size	A	B	C	D	ACT. SR
2"	15.13	12.13	9.47	1.75	85
2-1/2"	14.84	12.13	9.47	1.88	85
3"	16.14	13.11	9.47	1.92	85
4"	17.94	14.44	10.83	2.13	100
5"	20.89	16.64	13.11	2.25	115
6"	23.44	18.54	17.13	2.31	140
8"	26.18	20.68	19.69	2.50	160
10"	31.39	23.49	22.76	2.81	200
12"	35.13	26.50	22.76	3.23	200