



JOB NAME:	CONTRACTOR:
JOB LOCATION:	APPROVAL:
ENGINEER:	CONTRACTOR P.O.:
APPROVAL:	REPRESENTATIVE:

DA8100

8100 ANSI 150 CLASS, CARBON STEEL HIGH PERFORMANCE WAFER STYLE BUTTERFLY VALVE WITH STAINLESS STEEL DISC WITH **DOUBLE ACTING PNEUMATIC ACTUATOR**

DA9100

9100 ANSI 150 CLASS, STAINLESS STEEL HIGH PERFORMANCE WAFER STYLE BUTTERFLY VALVE WITH STAINLESS STEEL DISC WITH **DOUBLE ACTING PNEUMATIC ACTUATOR**

SIZES 2" TO 12"

SR8100

8100 ANSI 150 CLASS, CARBON STEEL HIGH PERFORMANCE WAFER STYLE BUTTERFLY VALVE WITH STAINLESS STEEL DISC WITH **SPRING RETURN PNEUMATIC ACTUATOR**

SR9100

9100 ANSI 150 CLASS, STAINLESS STEEL HIGH PERFORMANCE WAFER STYLE BUTTERFLY VALVE WITH STAINLESS STEEL DISC WITH **SPRING RETURN PNEUMATIC ACTUATOR**

SIZES 2" TO 12"

SPECIFICATIONS

The DA8100/DA9100/SR8100/SR9100 series pneumatic actuated packages feature ANSI Class 150, wafer style, carbon steel 8100 or stainless steel 9100 high performance butterfly valves. The valves also feature multiple V-ring and direct ISO 5211 mounting.

The Valbia pneumatic actuator comes with a hard-anodized aluminum body, and powder coated end caps. In addition, all Valbia pneumatic actuators are standardly furnished with elevated temperature seals to 302°F. The patented side loaded limit stops never enter the piston chamber eliminating extra possible leak paths.

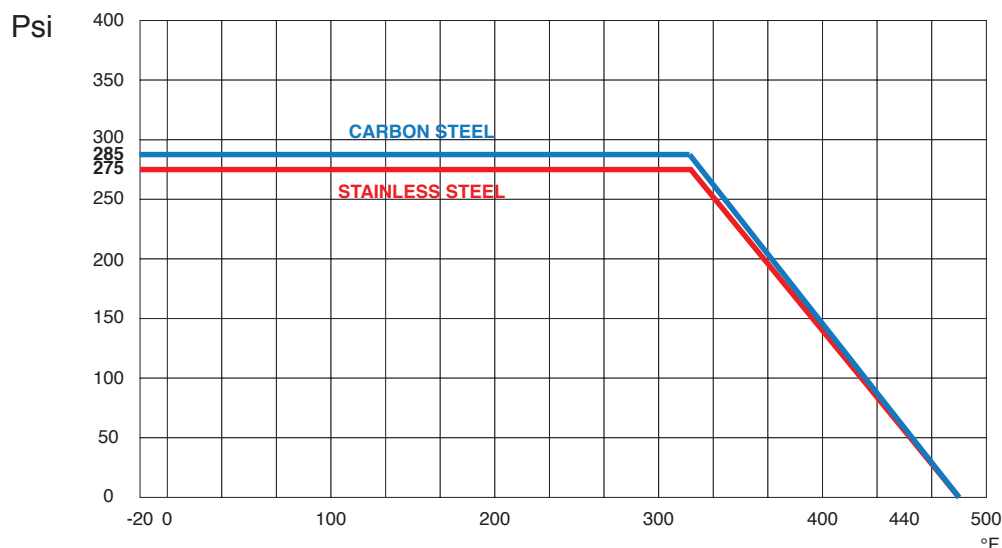
ACTUATOR FEATURES

- Hard anodized extruded aluminum body
- Concentric spring sets
- Die cast aluminum end caps
- Solid steel barstock pinion (not casting)
- 0°-90° rotation adjustment cam
- 0°-90° rotation adjustment bolts
- POM piston guides
- Minimum air pressure rating: 80 psi
- Maximum air pressure rating: 116 psi
- Working temperature: -4°F - 302°F
- No lubrication maintenance required for the entire actuator lifetime
- 100% factory tested

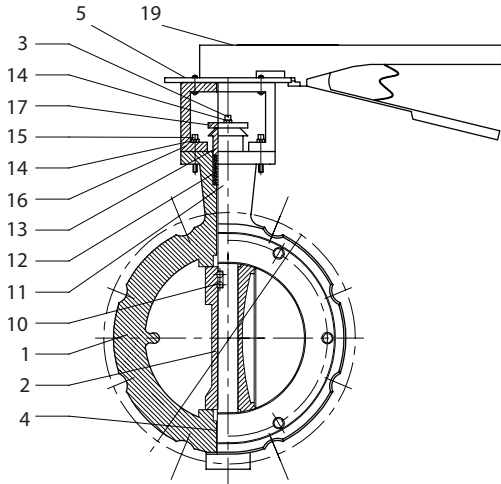
VALVE FEATURES

- ISO 5211 Direct Mount
- Sizes 2" to 12"
- 8100 - Carbon Steel Wafer body
- 9100 - Stainless Steel Wafer body
- Compact Design, Easy Access to Packing
- Replaceable Seat Design
- Multiple V-Ring Stem Packing
- Reliable and Consistent Torques
- Optional Metal to Metal and PTFE Seat Design
- 14" to 24" Sizes Available Upon Request
- 150 WSP
- Temperature range: -20°F to 475°F

PRESSURE – TEMPERATURE CHART FOR SERIES 8100/9100



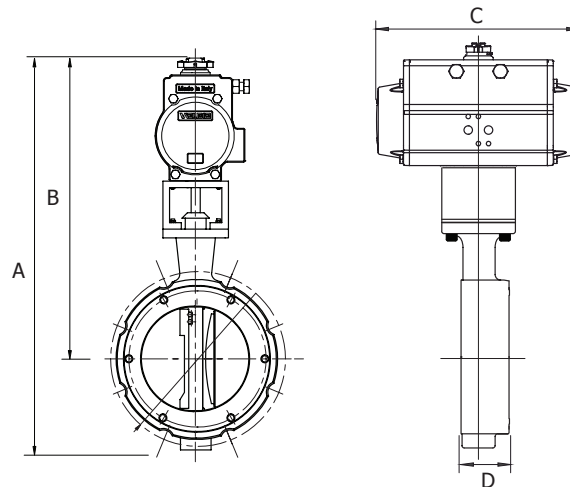
BILL OF MATERIALS FOR 8100/9100



N POS	PART NAME	MATERIAL	N PCS
1	BODY	WCB/CF8M	1
2	DISC	CF8M	1
3	STEM BOLT	SS304	2
4	STEM BUSHING	SS316 + P.T.F.E.	3
5	PLATE	SS304	1
6	SEAT RETAINER	WCB/CF8M	1
7	RETAINER SCREW	SS304	6-8
8	O-RING	VITON®	1
9	SEAT	CARBON FILLED P.T.F.E.	1
10	PIN	SS316	2

N POS	PART NAME	MATERIAL	N PCS
11	STEM	AISI 17-4PH	1
12	V-RING	P.T.F.E.	6-9
13	GLAND BUSHING	SS316	1
14	SPRING WASHER	SS304	4
15	HEX BOLT	SS304	4
16	MOUNTING FLANGE	WCB/CF8M	1
17	GLAND	CF8M	1
18	NUT	SS304	2
19	HANDLE	MALLEABLE IRON	1

DIMENSIONS



DA8100 DA9100

8100 W/ **DOUBLE ACTING** ACTUATOR
 9100 W/ **DOUBLE ACTING** ACTUATOR

SR8100 SR9100

8100 W/ **SPRING RETURN** ACTUATOR
 9100 W/ **SPRING RETURN** ACTUATOR

Size	A	B	C	D	ACT. DA
2"	13.87	10.87	6.46	1.75	63
2-1/2"	13.58	10.87	6.46	1.88	63
3"	15.59	12.56	8.27	1.92	75
4"	16.89	13.39	8.27	2.13	75
5"	19.03	14.78	9.47	2.25	85
6"	20.71	15.81	10.83	2.31	100
8"	23.87	18.37	13.11	2.50	115
10"	27.31	19.41	14.65	2.81	125
12"	31.94	23.28	17.13	3.23	140

Size	A	B	C	D	ACT. SR
2"	15.13	12.13	9.47	1.75	85
2-1/2"	14.84	12.13	9.47	1.88	85
3"	16.14	13.11	9.47	1.92	85
4"	17.94	14.44	10.83	2.13	100
5"	20.89	16.64	13.11	2.25	115
6"	23.44	18.54	17.13	2.31	140
8"	26.18	20.68	19.69	2.50	160
10"	31.39	23.49	22.76	2.81	200
12"	35.13	26.50	22.76	3.23	200