

JOB NAME:	CONTRACTOR:
JOB LOCATION:	APPROVAL:
ENGINEER:	CONTRACTOR P.O.:
APPROVAL:	REPRESENTATIVE:

8P764101

764101 2-WAY CARBON STEEL, ANSI 600 FLANGED, WAFER STYLE, FULL PORT BALL VALVE WITH DOUBLE ACTING ACTUATOR AND BRACKET

SIZES 1/2" TO 4"

8P764103

764101 2-WAY CARBON STEEL, ANSI 600 FLANGED, WAFER STYLE, FULL PORT BALL VALVE WITH SPRING RETURN ACTUATOR AND BRACKET

SIZES 1/2" TO 4"

SPECIFICATIONS

The Bonomi 8P764101/8P764103 series pneumatic packages feature the 764101 made from ASTM A350-LF2 carbon steel, short pattern, wafer full port, ANSI Class 600 flanged ball valve, in sizes 1/2"-4".

This space saving valve also meets ANSI 16.34, ANSI 16.5, NACE MR 0175/ISO 15156 and NACE MR 0103. It has metal filled PTFE seats, and a combination PTFE and Graphoil dual stem packing design.

The Valbia pneumatic actuator comes with a hard-anodized aluminum body, and powder coated end caps. In addition, all Valbia pneumatic actuators are standardly furnished with elevated temperature seals to 302°F. The patented side loaded limit stops never enter the piston chamber eliminating extra possible leak paths.

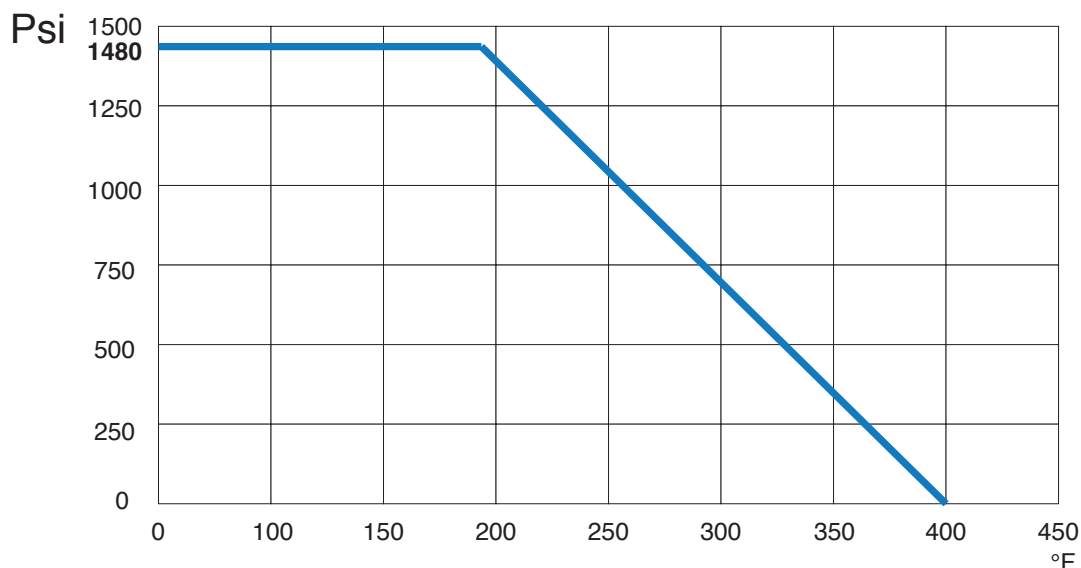
ACTUATOR FEATURES

- Hard anodized extruded aluminum body
- Concentric spring sets
- Die cast aluminum end caps
- Solid steel barstock pinion (not casting)
- 0°-90° rotation adjustment cam
- 0°-90° rotation adjustment bolts
- POM piston guides
- Minimum air pressure rating: 80 psi
- Maximum air pressure rating: 116 psi
- Working temperature: -4°F - 302°F
- No lubrication maintenance required for the entire actuator lifetime
- 100% factory tested

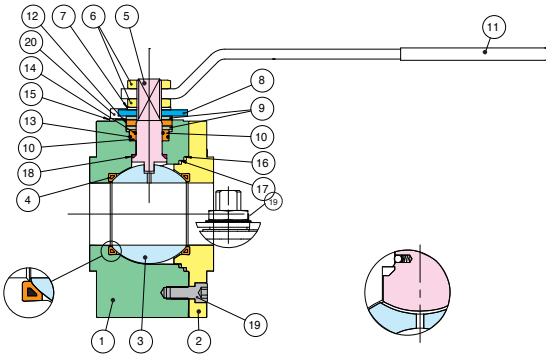
VALVE FEATURES

- Carbon Steel, ANSI class 600 flanged
- Full port, sizes 1/2" to 4"
- Temperature range -4°F to 366°F
- Blow-out proof stem
- Metal filled P.T.F.E. seats
- Space saving design
- 100% tested
- Fire Safe certified to API 607 6th edition.
- ANSI B16.34 design
- Antistatic Device
- ISO 5211 mounting pad with double "D" stem

PRESSURE - TEMPERATURE CHART FOR SERIES 764101



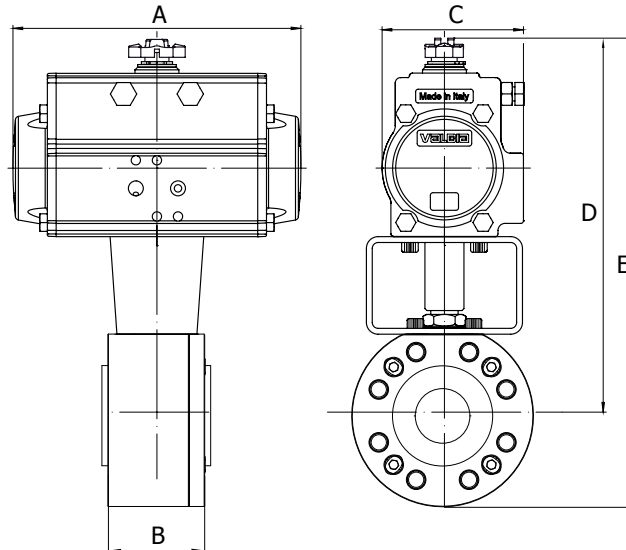
BILL OF MATERIALS FOR 764101



N POS	PART NAME	MATERIAL	N POS
1	BODY	A350 - LF2	1
2	END CONNECTION	A350 - LF2	1
3	BALL	A479-304/A351 CF8	1
4	BALL SEATS	R.P.T.F.E.	2
5	STEM	A182-F304	1
6	NUT	CARBON STEEL	2
7	SPRING WASHER	CARBON STEEL	2
8	90° STOP	CARBON STEEL	1
9	BUSH	A479-316	2
10	STEM SEAL	GRAPHOIL	1
11	HANDLE	CARBON STEEL	1

N POS	PART NAME	MATERIAL	N POS
12	STEM SEAL	P.T.F.E.	1
13	RING	FKM (Viton)	1
14	RING	FKM (Viton)	1
15	WASHER	A479-304	2
16	BODY SEAL	GRAPHOIL	1
17	BODY SEAL	P.T.F.E.	1
18	THRUST WASHER	P.T.F.E.	1
19	SCREW	CARBON STEEL	3-4-7
20	SCREW	STAINLESS STEEL	2
21	NUT	STAINLESS STEEL	1

DIMENSIONS



8P764101

764101 W/ **DOUBLE ACTING** ACTUATOR

Size	A	B	C	D	E	ACT. DA
1/2"	4.33	2.17	1.77	7.36	9.25	32
3/4"	5.55	2.36	2.80	8.11	10.47	52
1"	5.55	2.56	2.80	8.34	10.70	52
1-1/2"	6.46	3.35	3.17	9.80	12.75	63
2"	8.27	3.94	3.72	10.90	14.13	75
3"	9.47	5.91	4.17	13.11	17.24	85
4"	10.83	7.28	4.84	15.19	20.19	100

8P764103

764101 W/ **SPRING RETURN** ACTUATOR

Size	A	B	C	D	E	ACT. SR
1/2"	5.55	2.17	2.80	7.83	9.72	52
3/4"	6.46	2.36	3.17	9.37	11.73	63
1"	6.46	2.56	3.17	9.60	11.96	63
1-1/2"	9.47	3.35	4.17	10.86	13.81	85
2"	10.83	3.94	4.84	12.75	15.98	100
3"	14.65	5.91	5.83	14.92	19.05	125
4"	14.65	7.28	5.83	17.51	22.51	125