

JOB NAME:	CONTRACTOR:
JOB LOCATION:	APPROVAL:
ENGINEER:	CONTRACTOR P.O.:
APPROVAL:	REPRESENTATIVE:

## 8P761031

**761031 2-WAY CARBON STEEL, ANSI 300 FLANGED, SPLIT BODY STYLE, FULL PORT BALL VALVE WITH **DOUBLE ACTING** ACTUATOR**

**SIZES 1/2" TO 6"**

## 8P761033

**761031 2-WAY CARBON STEEL, ANSI 300 FLANGED, SPLIT BODY STYLE, FULL PORT BALL VALVE WITH **SPRING RETURN** ACTUATOR**

**SIZES 1/2" TO 6"**

### SPECIFICATIONS

The 8P761031-8P760133 series pneumatic actuator assembled package features the 761031 series Class 300, full port, carbon steel split body, ISO 5211 pad, double D stem, flanged ball valve. This valve is designed to ANSI 16.5, ANSI 16.10, and ANSI 16.34. It is also certified to A PI 607, 4th edition, API 6FA, and meets NACE MR 0175 and NACE MR 0103.

The Valbia pneumatic actuator comes with a hard-anodized aluminum body, and powder coated end caps. In addition, all Valbia pneumatic actuators are standardly furnished with elevated temperature seals to 302°F. The patented side loaded limit stops never enter the piston chamber eliminating extra possible leak paths.

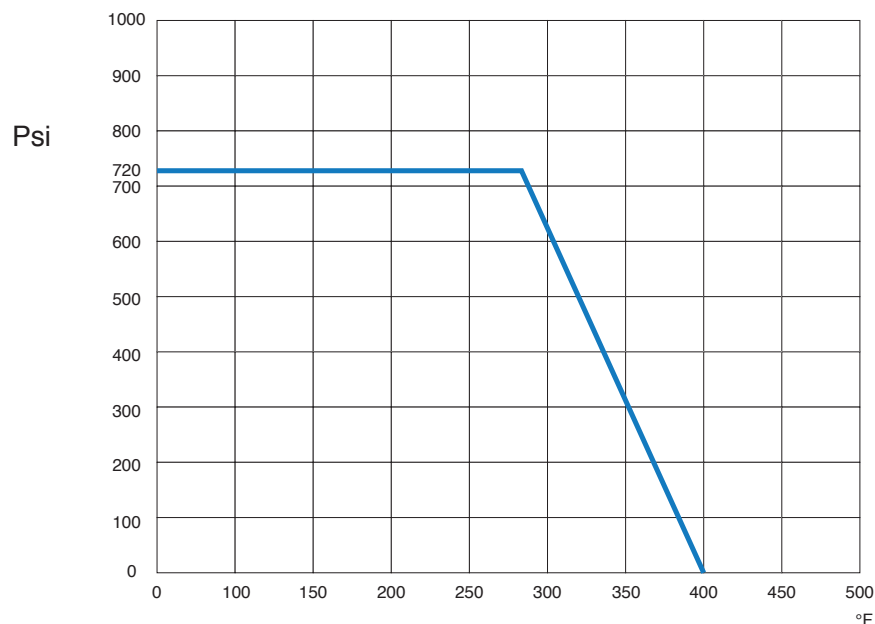
### ACTUATOR FEATURES

- Hard anodized extruded aluminum body
- Concentric spring sets
- Die cast aluminum end caps
- Solid steel barstock pinion (not casting)
- 0°-90° rotation adjustment cam
- 0°-90° rotation adjustment bolts
- POM piston guides
- Minimum air pressure rating: 80 psi
- Maximum air pressure rating: 116 psi
- Working temperature: -4°F - 302°F
- No lubrication maintenance required for the entire actuator lifetime
- 100% factory tested

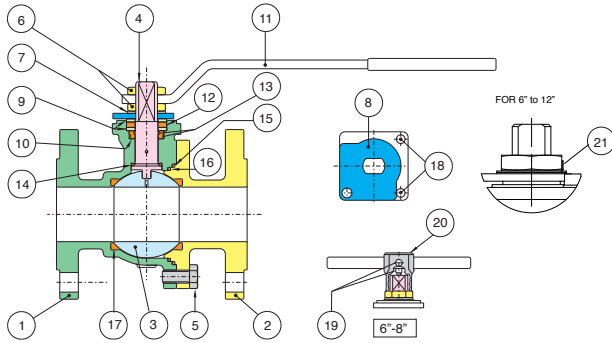
### VALVE FEATURES

- Carbon Steel, ANSI class 300 flanged
- Full port, sizes 1/2" to 6"
- Temperature range -4°F to 400°F
- Blow-out proof stem, adjustable stem packing
- P.T.F.E. seats, packing and thrust washer
- 100% tested
- PED 97/23/CE
- ANSI B16.5, B16.10, B16.34 design
- Fire Safe API 6FA-API 607 4th edition
- Antistatic Device
- ISO 5211 mounting pad with double "D" stem

### PRESSURE - TEMPERATURE CHART FOR SERIES 761031



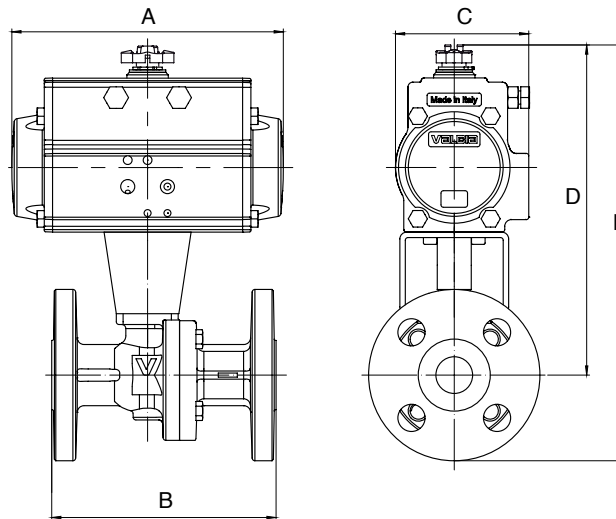
## BILL OF MATERIALS FOR 761031



N POS	PART NAME	MATERIAL	N POS
1	BODY	A216 WCB	1
2	END CONNECTION	A216 WCB	1
3	BALL	A479-304/A351 CF8M	1
4	STEM	A479-304	1
5	SCREW	STAINLESS STEEL	4-8-12
6	NUT	CARBON STEEL	1/2" - 1-1/2" 2" - 8"
7	SPRING WASHER	STEEL	2
8	TRAVEL STOP	CARBON STEEL	1
9	PACKING GLAND	CARBON STEEL	2
10	STEM SEAL	P.T.F.E.	1
11	HANDLE	CARBON STEEL	1

N POS	PART NAME	MATERIAL	N POS
12	STEM SEAL	GRAPHOIL	1
13	O-RING	FKM (Viton®)	2
14	THRUST WASHER	P.T.F.E.	1
15	SEAL	GRAPHOIL	1
16	SEAL	P.T.F.E.	1
17	BALL SEATS	R.P.T.F.E.	2
18	SCREW	CARBON STEEL	2
19	SCREW	CARBON STEEL	2
20	BODY HANDLE	CAST IRON	1
21	UNSCREWING GROWER	A182-F316	1

## DIMENSIONS



### 8P761031

761031 W/ **DOUBLE ACTING** ACTUATOR

Size	A	B	C	D	E	ACT. DA
1/2"	5.55	5.51	2.80	7.28	9.17	52
3/4"	6.46	5.98	3.17	7.87	10.19	63
1"	6.46	6.50	3.17	8.58	11.06	63
1-1/2"	8.27	7.48	3.72	10.55	13.62	75
2"	9.47	8.50	4.17	11.37	14.64	85
3"	10.83	11.14	4.84	13.62	17.75	100
4"	13.11	12.01	5.39	15.55	20.59	115
6"	19.69	15.87	7.32	19.99	26.29	160

### 8P0761033

761031 W/ **SPRING RETURN** ACTUATOR

Size	A	B	C	D	E	ACT. SR
1/2"	6.46	5.51	3.17	7.71	9.60	63
3/4"	9.47	5.98	4.17	9.13	11.45	85
1"	9.47	6.50	4.17	9.84	12.32	85
1-1/2"	10.83	7.48	4.84	11.61	14.68	100
2"	13.11	8.50	5.39	13.22	16.49	115
3"	14.65	11.14	5.83	15.47	19.60	125
4"	19.69	12.01	7.32	17.83	22.87	160
6"	26.46	15.87	11.42	28.58	34.88	270