



JOB NAME:	CONTRACTOR:
JOB LOCATION:	APPROVAL:
ENGINEER:	CONTRACTOR P.O.:
APPROVAL:	REPRESENTATIVE:

8P723101

723101 2-WAY STAINLESS STEEL, ANSI 150 FLANGED, DIRECT MOUNT WAFER STYLE, FULL PORT BALL VALVE WITH DOUBLE ACTING ACTUATOR

SIZES 1" TO 4"

8P723103

723101 2-WAY STAINLESS STEEL, ANSI 150 FLANGED, DIRECT MOUNT WAFER STYLE, FULL PORT BALL VALVE WITH SPRING RETURN ACTUATOR

SIZES 1" TO 4"

SPECIFICATIONS

The 8P723101/8P723103 pneumatic actuated package features the ANSI Class 150 full port stainless steel space saving, 723101 series direct mount, low torque, wafer style ball valve. This ball valve series feature a double O-ring stem seal, grounded ball & stem, and incorporates an ISO 5211 mounting pad and square stem. Sizes are 1"-4"

The Valbia pneumatic actuator comes with a hard-anodized aluminum body, and powder coated end caps. In addition, all Valbia pneumatic actuators are standardly furnished with elevated temperature seals to 302°F. The patented side loaded limit stops never enter the piston chamber eliminating extra possible leak paths.

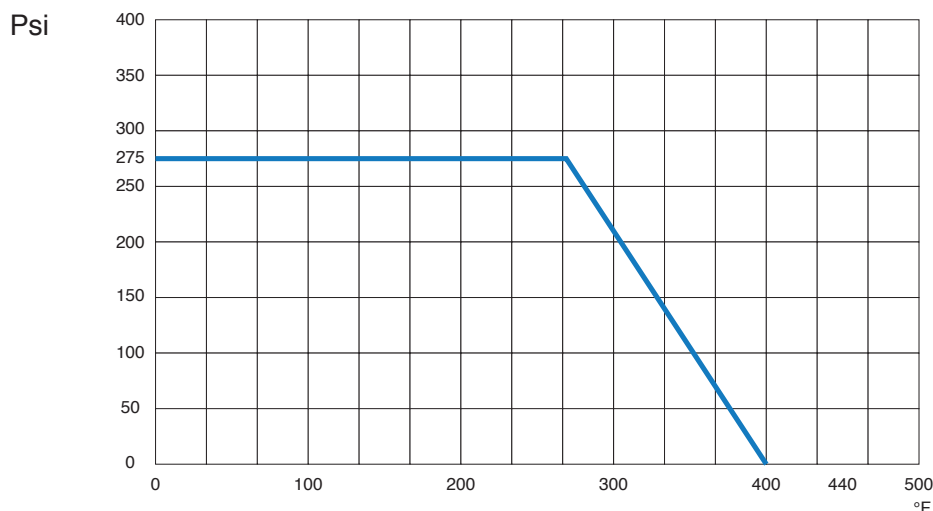
ACTUATOR FEATURES

- Hard anodized extruded aluminum body
- Concentric spring sets
- Die cast aluminum end caps
- Solid steel barstock pinion (not casting)
- 0°-90° rotation adjustment cam
- 0°-90° rotation adjustment bolts
- POM piston guides
- Minimum air pressure rating: 80 psi
- Maximum air pressure rating: 116 psi
- Working temperature: -4°F - 302°F
- No lubrication maintenance required for the entire actuator lifetime
- 100% factory tested

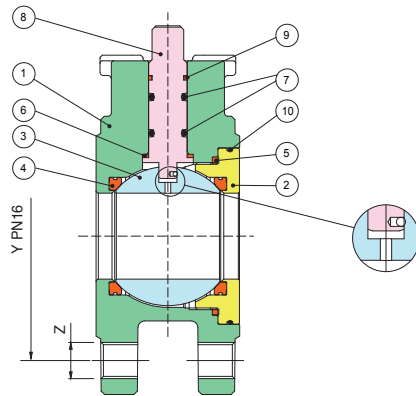
VALVE FEATURES

- Direct mount, Stainless steel ANSI class 150 Wafer-style flanged ball valve
- Full port, sizes 1" to 4"
- Temperature range -4°F to +366°F
- Anti-static Stem Device
- Dual Stem Seal O-rings FKM (Viton)
- TFM Stem Seal
- ISO 5211 mounting pad/square stem
- Low Torque Design
- TFM Encapsulated Flex Seat Design
- 17-4 PH stem

PRESSURE - TEMPERATURE CHART FOR SERIES 723101

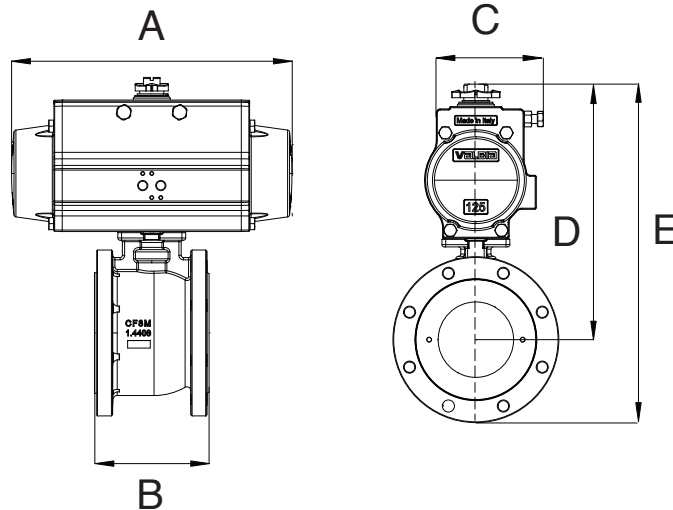


BILL OF MATERIALS FOR 723101



N POS	PART NAME	MATERIAL	N PCS
1	BODY	A351-CF8M	1
2	END CONNECTION	A479-Tp316/A182-F316	1
3	BALL	A351-CF8M	1
4	BALL SEAL	TFM®	2
5	BODY SEAT	P.T.F.E.	1
6	THRUST WASHER	TFM®	1
7	O-RING	FKM (Viton®)	2
8	STEM	A564-Tp630 H1150D (17-4-PH)	1
9	STEM SEAL	P.T.F.E.	1
10	O-RING	FKM (Viton®)	1

DIMENSIONS



8P723101

 723101 W/ **DOUBLE ACTING** ACTUATOR

Size	A	B	C	D	E	ACT. DA
1"	5.55	1.89	2.80	6.33	8.66	52
1-1/4"	5.55	2.13	2.80	6.84	9.68	52
1-1/2"	5.55	2.50	2.80	7.15	10.30	52
2"	6.46	3.23	3.17	7.92	11.39	63
2-1/2"	6.46	4.06	3.17	9.49	13.82	75
3"	8.27	4.80	3.72	9.88	14.60	75
4"	8.27	5.98	3.72	11.00	16.29	85

8P723103

 723101 W/ **SPRING RETURN** ACTUATOR

Size	A	B	C	D	E	ACT. SR
1"	6.46	1.89	3.17	6.78	9.11	63
1-1/4"	6.46	2.13	3.17	7.29	10.13	63
1-1/2"	8.27	2.50	3.72	8.31	11.46	75
2"	8.27	3.23	3.72	8.63	12.10	75
2-1/2"	9.47	4.06	4.17	10.04	14.37	85
3"	10.83	4.80	4.84	10.93	15.65	100
4"	13.11	5.98	5.39	11.50	16.79	115