

JOB NAME:	CONTRACTOR:
JOB LOCATION:	APPROVAL:
ENGINEER:	CONTRACTOR P.O.:
APPROVAL:	REPRESENTATIVE:

8P68J401

68J401 2-WAY API 608 STAINLESS STEEL, ANSI 600 FLANGED, SPLIT BODY STYLE, FULL PORT BALL VALVE WITH DOUBLE ACTING ACTUATOR

SIZES 1/2" TO 2"

8P68J403

68J401 2-WAY API 608 STAINLESS STEEL, ANSI 600 FLANGED, SPLIT BODY STYLE, FULL PORT BALL VALVE WITH SPRING RETURN ACTUATOR

SIZES 1/2" TO 2"

SPECIFICATIONS

The 8P68J401 Pneumatic actuated package features the 68J series stainless steel, Class 600 split body, full port ball valve designed and tested to API 608. The valve also meets ASME B16.34, B16.10 and B16.5. Further the 68J series ball valve is tested to API 598, and is firesafe design to API 607, 6FA, and ISO 10497. RPTFE seats are standard, with optional PEEK, PCTFE, VESPEL, and Metal to Metal.

The Valbia pneumatic actuator comes with a hard-anodized aluminum body, and powder coated end caps. In addition, all Valbia pneumatic actuators are standardly furnished with elevated temperature seals to 302°F. The patented side loaded limit stops never enter the piston chamber eliminating extra possible leak paths.

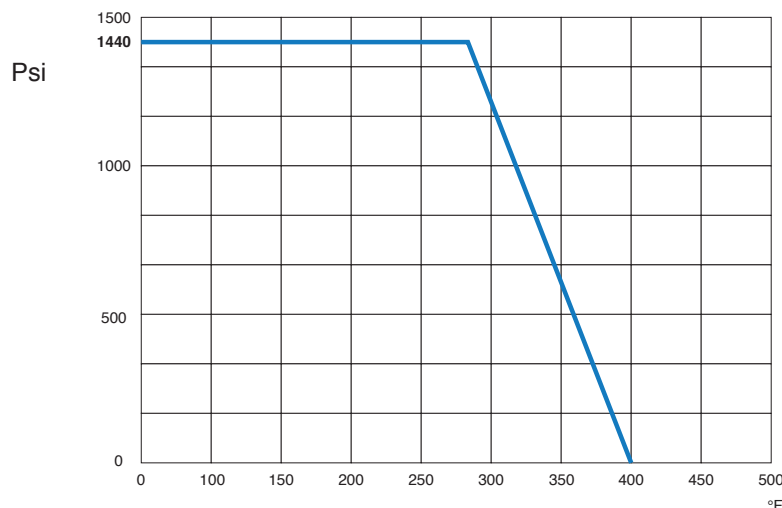
ACTUATOR FEATURES

- Hard anodized extruded aluminum body
- Concentric spring sets
- Die cast aluminum end caps
- Solid steel barstock pinion (not casting)
- 0°-90° rotation adjustment cam
- 0°-90° rotation adjustment bolts
- POM piston guides
- Minimum air pressure rating: 80 psi
- Maximum air pressure rating: 116 psi
- Working temperature: -4°F - 302°F
- No lubrication maintenance required for the entire actuator lifetime
- 100% factory tested

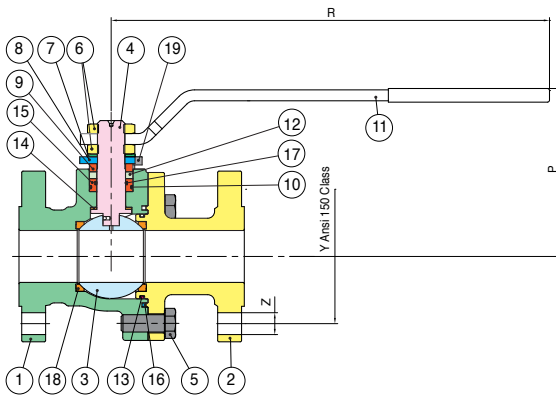
VALVE FEATURES

- Stainless steel, ANSI class 600, flanged ball valve.
- Full Port, Sizes 1/2" to 2"
- API 608, ASME B16.34, ASME B16.10, ASME B16.5, ASME B1.1 design.
- 100% tested according to API 598 standards.
- R.T.F.E seats, packing and thrust washer.
- Blow out proof stem, locking handle.
- Fire Safe design.
- Antistatic Device.
- ISO 5211 mounting pad with double "D" stem.
- Locking device.
- Temperature range -4°F to 366°F.

PRESSURE - TEMPERATURE CHART FOR SERIES 68J401



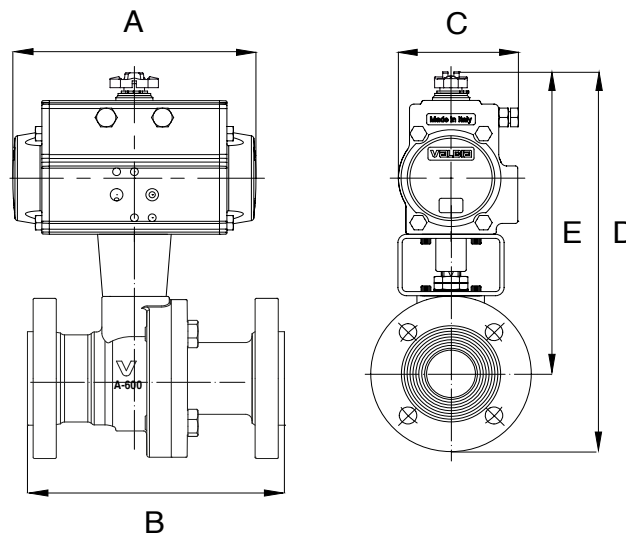
BILL OF MATERIALS FOR 68J401



N POS	PART NAME	MATERIAL	N POS
1	BODY	A351-CF8M	1
2	END CONNECTION	A351-CF8M	1
3	BALL	A479-Tp316	1
4	STEM	A564-Tp316 H115OD (17-4-PH)	1
5	SCREW	A193 B8 Cl.2	4-8-12
6	NUT	STAINLESS STEEL	2
7	SPRING WASHER	A182-F304	2
8	90° STOP	AISI 316	1
9	BUSH	A479-Tp316L	1
10	O-RING	FKM (Viton)	1

N POS	PART NAME	MATERIAL	N POS
11	HANDLE	AISI 316	1
12	STEM SEAL	GRAPHITE	1
13	O-RING	FKM (Viton)	1
14	THRUST WASHER	R.P.T.F.E.	1
15	O-RING BUSH	A479-Tp316L	1
16	BODY SEAT	GRAPHITE	1
17	O-RING	FKM (Viton)	2
18	BALL SEAT	R.P.T.F.E.	2
19	SCREW	A2-70	1

DIMENSIONS



8P68J401

68J401 W/ **DOUBLE ACTING** ACTUATOR

Size	A	B	C	D	E	ACT. DA
1/2"	5.55	4.25	2.80	8.37	6.24	52
3/4"	6.46	4.61	3.17	9.3	6.86	63
1"	6.46	5.00	3.17	9.84	7.45	63
1-1/2"	8.27	6.50	3.72	11.48	9.16	75
2"	10.83	7.01	4.84	13.64	10.55	100

8P68J403

68J401 W/ **SPRING RETURN** ACTUATOR

Size	A	B	C	D	E	ACT. SR
1/2"	6.46	4.25	3.17	8.82	6.69	63
3/4"	8.27	4.61	3.72	10.01	7.57	75
1"	9.47	5.00	4.17	11.10	8.71	85
1-1/2"	10.83	6.50	4.84	12.53	10.21	100
2"	13.11	7.01	5.39	15.00	11.91	115