

JOB NAME:	CONTRACTOR:
JOB LOCATION:	APPROVAL:
ENGINEER:	CONTRACTOR P.O.:
APPROVAL:	REPRESENTATIVE:

## 8P68F000

**68F000 2-WAY API 608 CARBON STEEL, ANSI 150 FLANGED, SPLIT BODY STYLE, FULL PORT BALL VALVE WITH DOUBLE ACTING ACTUATOR**

**SIZES 1/2" TO 6"**

## 8P68F002

**68F000 2-WAY API 608 CARBON STEEL, ANSI 150 FLANGED, SPLIT BODY STYLE, FULL PORT BALL VALVE WITH SPRING RETURN ACTUATOR**

**SIZES 1/2" TO 6"**

### SPECIFICATIONS

The 8P68F000 Pneumatic actuated package features the 68F series Carbon steel, Class 150 split body, full port ball valve designed and tested to API 608. The valve also meets ASME B16.34, B16.10 and B16.5. Further the 68F series ball valve is tested to API 598, and is firesafe design to API 607, 6FA, and ISO 10497. RPTFE seats are standard, with optional PEEK, PCTFE, VESPEL, and Metal to Metal.

The Valbia pneumatic actuator comes with a hard-anodized aluminum body, and powder coated end caps. In addition, all Valbia pneumatic actuators are standardly furnished with elevated temperature seals to 302°F. The patented side loaded limit stops never enter the piston chamber eliminating extra possible leak paths.

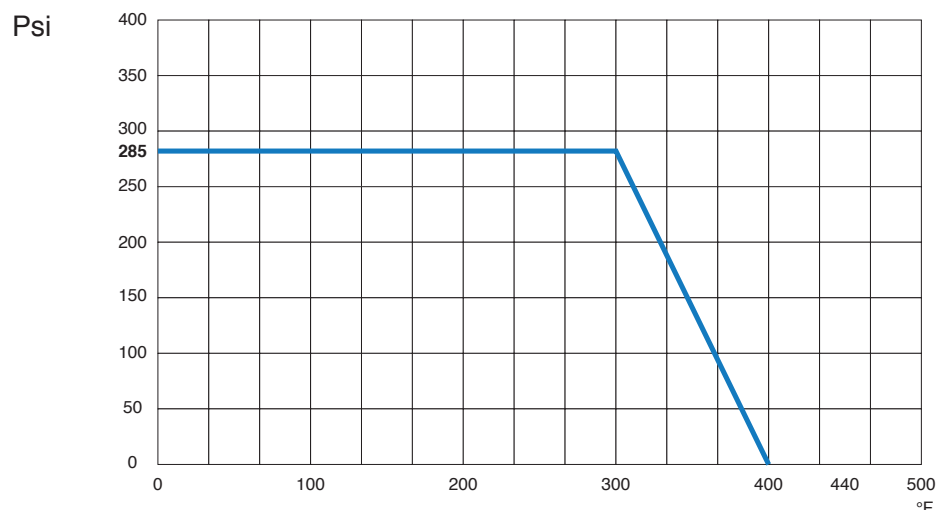
### ACTUATOR FEATURES

- Hard anodized extruded aluminum body
- Concentric spring sets
- Die cast aluminum end caps
- Solid steel barstock pinion (not casting)
- 0°-90° rotation adjustment cam
- 0°-90° rotation adjustment bolts
- POM piston guides
- Minimum air pressure rating: 80 psi
- Maximum air pressure rating: 116 psi
- Working temperature: -4°F - 302°F
- No lubrication maintenance required for the entire actuator lifetime
- 100% factory tested

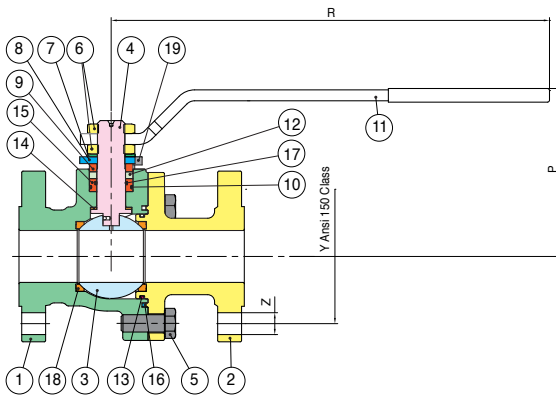
### VALVE FEATURES

- Carbon steel, ANSI class 150, flanged ball valve.
- Sizes 1/2" to 6"
- API 608, ASME B16.34, ASME B16.10, ASME B16.5, ASME B1.1 design.
- 100% tested according to API 598 standards.
- R.T.F.E seats, packing and thrust washer.
- Full port, sizes 1/2" - 6".
- Blow out proof stem, locking handle.
- Fire Safe design.
- Antistatic Device.
- ISO 5211 mounting pad with double "D" stem.
- Locking device.
- Temperature range -4°F to 366°F.

### PRESSURE - TEMPERATURE CHART FOR SERIES 68F000



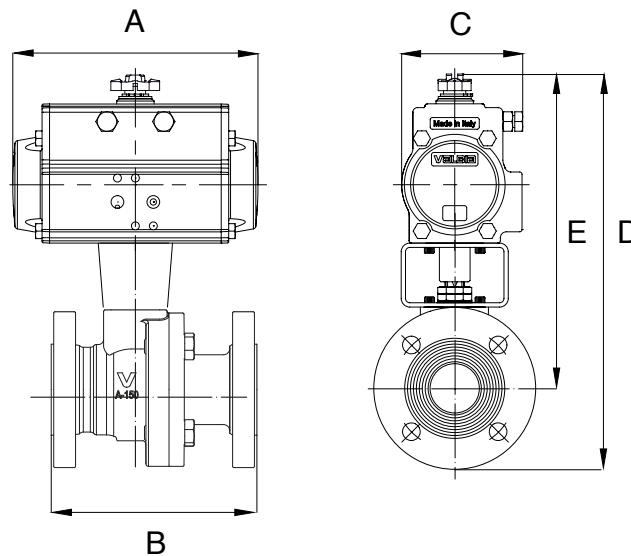
## BILL OF MATERIALS FOR 68F000



N POS	PART NAME	MATERIAL	N POS
1	BODY	A352-LCC	1
2	END CONNECTION	A352-LCC	1
3	BALL	A479-Tp316	1
4	STEM	A564-Tp316 H115OD (17-4-PH)	1
5	SCREW	A32017	4-8-12
6	NUT	CARBON STEEL	2
7	SPRING WASHER	CARBON STEEL	2
8	90° STOP	AISI 316	1
9	BUSH	A479-Tp316L	1
10	O-RING	FKM (Viton)	1

N POS	PART NAME	MATERIAL	N POS
11	HANDLE	CARBON STEEL	1
12	STEM SEAL	GRAPHITE	1
13	O-RING	FKM (Viton)	1
14	THRUST WASHER	R.P.T.F.E.	1
15	O-RING BUSH	A479-Tp316L	1
16	BODY SEAT	GRAPHITE	1
17	O-RING	FKM (Viton)	2
18	BALL SEAT	R.P.T.F.E.	2
19	SCREW	CARBON STEEL	1

## DIMENSIONS



### 8P68F000

68F000 W/ **DOUBLE ACTING** ACTUATOR

Size	A	B	C	D	E	ACT. DA
1/2"	4.33	4.25	2.56	6.93	4.80	32
3/4"	5.55	4.61	4.00	8.85	6.41	52
1"	5.55	5.00	4.00	9.39	7.00	52
1-1/2"	6.46	6.50	4.45	10.77	8.45	63
2"	8.27	7.01	5.16	12.59	9.50	75
3"	10.83	7.99	6.21	16.50	12.91	100
4"	13.11	9.02	7.57	19.85	15.13	115
6"	17.13	15.51	8.94	23.18	18.53	140

### 8P68F002

68F000 W/ **SPRING RETURN** ACTUATOR

Size	A	B	C	D	E	ACT. SR
1/2"	5.55	4.25	4.00	8.37	6.24	52
3/4"	6.46	4.61	4.45	9.30	6.86	63
1"	6.46	5.00	4.45	9.84	7.45	63
1-1/2"	9.47	6.50	5.71	12.03	9.71	85
2"	9.47	7.01	5.71	13.14	10.05	85
3"	13.11	7.99	7.57	17.86	14.27	115
4"	17.13	9.02	8.94	21.22	16.50	140
6"	19.41	15.51	11.14	25.38	20.73	180