



JOB NAME:	CONTRACTOR:
JOB LOCATION:	APPROVAL:
ENGINEER:	CONTRACTOR P.O.:
APPROVAL:	REPRESENTATIVE:

8P3TDAPVC

PVC-BV3T DIRECT MOUNT, 3-WAY PVC, FULL PORT T-PORT BALL VALVE W **DOUBLE ACTING** PNEUMATIC ACTUATOR

8P3TSRPVC

PVC-BV3T DIRECT MOUNT, 3-WAY PVC, FULL PORT T-PORT BALL VALVE W **SPRING RETURN** PNEUMATIC ACTUATOR

1/2" TO 2"

8P3LDAPVC

PVC-BV3L DIRECT MOUNT, 3-WAY PVC, FULL PORT L-PORT BALL VALVE W **DOUBLE ACTING** PNEUMATIC ACTUATOR

8P3LSRPVC

PVC-BV3L DIRECT MOUNT, 3-WAY PVC, FULL PORT L-PORT BALL VALVE W **SPRING RETURN** PNEUMATIC ACTUATOR

1/2" TO 2"

SPECIFICATIONS

The valve body, stem, ball and unions shall be made of PVC compound which shall meet classification 12454 of ASTM D 1784. The ball seats shall be made of PTFE and the O-Ring seals shall be made of EPDM.

The PVC IPS/Socket connectors shall conform to the dimensional standards ASTM D2466 and ASTM D2467, The NPT PVC connectors shall conform to the dimensional standards of ASTM D2464, ASTM F1498, and ANSI B1.20.1 thread depths.

The rack and pinion style pneumatic actuator body shall be made from hard anodized extruded aluminum, and shall incorporate adjustable side 0-90 adjustable limit stops that do not internally enter the cylinder bore. The actuator temperature range shall be -4°F to 302°F.

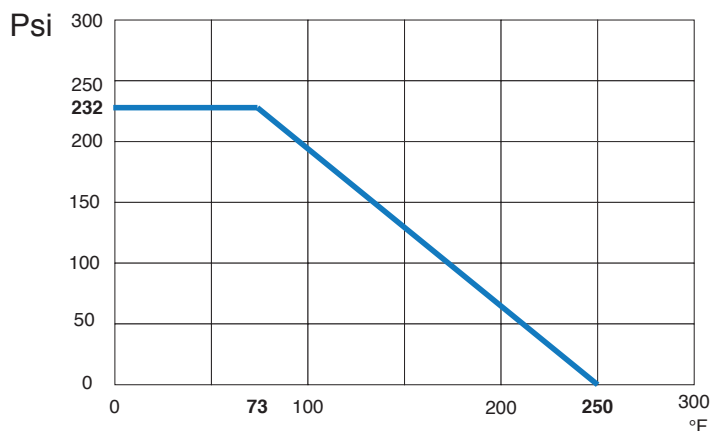
ACTUATOR FEATURES

- Hard anodized extruded aluminum body
- Concentric spring sets
- Die cast aluminum end caps
- Solid steel barstock pinion (not casting)
- 0°-90° rotation adjustment cam
- 0°-90° rotation adjustment bolts
- POM piston guides
- Minimum air pressure rating: 80 psi
- Maximum air pressure rating: 116 psi
- Working temperature: -4°F - 302°F
- No lubrication maintenance required for the entire actuator lifetime
- 100% factory tested

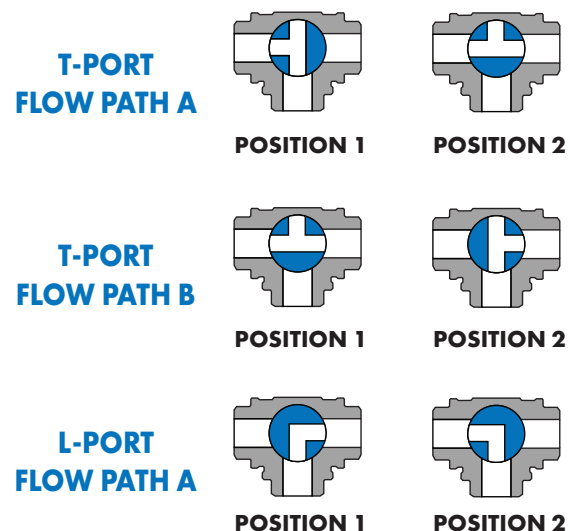
VALVE FEATURES

- 3-Way Full Port
- Size Range 1/2" Through 2"
- NPT and Socket Ends included
- EPDM Seats and Seals
- Dual Union Nut Locks
- 232 PSI at 73°F
- "L" and "T" Port Viton Seats and Seals Available

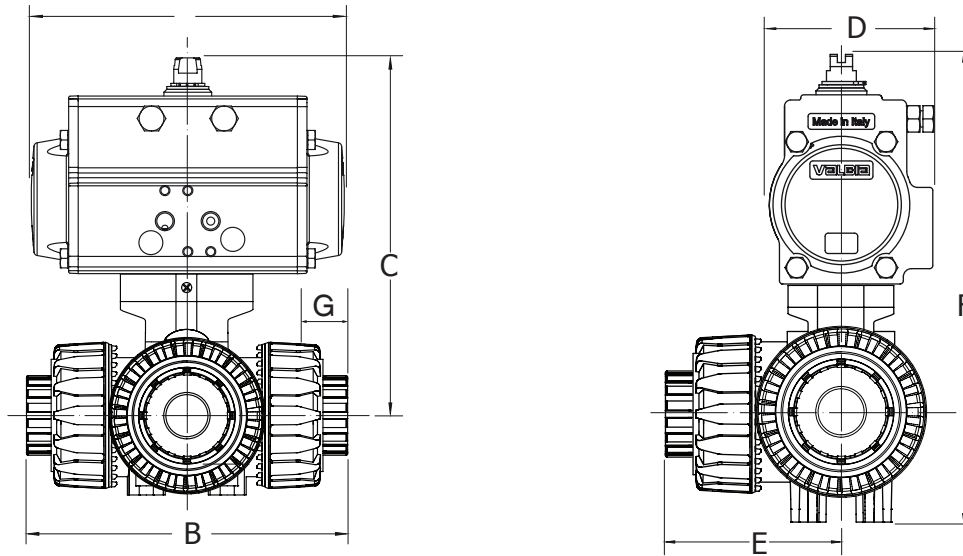
PRESSURE – TEMPERATURE CHART FOR SERIES PVC–BV3



FLOW PATH VARIATIONS



DIMENSIONS



*G = Socket Depth

8P3LDAPVC
8P3TDAPVC

PVC-BV3L W/ **DOUBLE ACTING** ACTUATOR
 PVC-BV3T W/ **DOUBLE ACTING** ACTUATOR

Size	A	B	C	D	E	F	G	Actuator	Wt.	Cv by Position		
										A	B	C
1/2"	5.55	5.20	6.27	2.79	2.60	7.41	0.89	DA52	3.5	4.55	13.7	5.11
3/4"	5.55	6.27	6.88	2.79	3.14	8.24	1.00	DA52	3.8	10.2	26.6	10.5
1"	5.55	6.85	6.90	2.79	3.43	8.44	1.13	DA52	4.1	17.2	53.2	18.6
1-1/4"	5.55	8.07	7.81	2.79	4.04	9.62	1.26	DA52	4.6	32.2	73.5	33.3
1-1/2"	6.45	8.96	8.08	2.79	4.48	10.62	1.38	DA63	5.8	42.0	119	43.4
2"	6.45	10.51	8.97	3.16	5.25	11.41	1.50	DA63	7.8	84.0	224	85.4

8P3LSRPVC
8P3TSRPVC

PVC-BV3L W/ **SPRING RETURN** ACTUATOR
 PVC-BV3T W/ **SPRING RETURN** ACTUATOR

Size	A	B	C	D	E	F	G	Actuator	Wt.	Cv by Position		
										A	B	C
1/2"	5.55	5.20	6.27	2.79	2.60	7.41	0.89	SR52	4.0	4.55	13.7	5.11
3/4"	5.55	6.27	6.88	2.79	3.14	8.24	1.00	SR52	4.3	10.2	26.6	10.5
1"	5.55	6.85	6.90	2.79	3.43	8.93	1.13	SR63	5.5	17.2	53.2	18.6
1-1/4"	6.45	8.07	8.30	3.16	4.04	10.78	1.26	SR75	9.0	32.2	73.5	33.3
1-1/2"	6.45	8.96	8.57	3.16	4.48	11.29	1.38	SR75	10.0	42.0	119	43.4
2"	8.26	10.51	9.64	3.72	5.25	12.6	1.50	SR85	15.5	84.0	224	85.4