



JOB NAME:	CONTRACTOR:
JOB LOCATION:	APPROVAL:
ENGINEER:	CONTRACTOR P.O.:
APPROVAL:	REPRESENTATIVE:

8P3400

3400 3-WAY CARBON STEEL, FNPT
THREADED DIRECT MOUNT BALL VALVE WITH
DOUBLE ACTING ACTUATOR

8P3402

3402 3-WAY CARBON STEEL, FNPT
THREADED DIRECT MOUNT BALL VALVE WITH
SPRING RETURN ACTUATOR
SIZES 3/8" TO 1"

8P3500

3500 3-WAY CARBON STEEL, SAE
THREADED DIRECT MOUNT BALL VALVE WITH
DOUBLE ACTING ACTUATOR

8P3502

3500 3-WAY CARBON STEEL, SAE
THREADED DIRECT MOUNT BALL VALVE WITH
SPRING RETURN ACTUATOR
SIZES 9/16"-18 TO 1-5/16"-12

SPECIFICATIONS

The Bonomi 8P3400 series electric actuated package feature an NPT high pressure 3-wayL port carbon steel hydraulic ball valve, and the 8E3500 series has all the same characteristics, however, incorporates SAE end connections. The Valbia pneumatic actuator comes with a hard-anodized aluminum body, and powder coated end caps. In addition, all Valbia pneumatic actuators are standardly furnished with elevated temperature seals to 302F. The patented side loaded limit stops never enter the piston chamber eliminating extra possible leak paths.

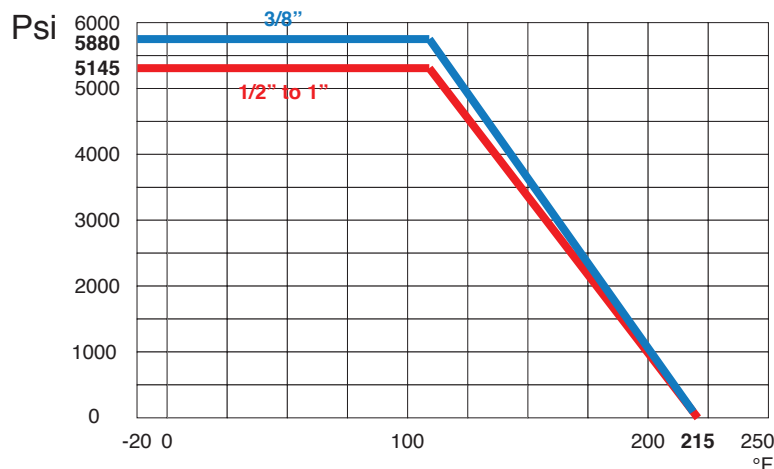
ACTUATOR FEATURES

- Hard anodized extruded aluminum body
- Concentric spring sets
- Die cast aluminum end caps
- Solid steel barstock pinion (not casting)
- 0°-90° rotation adjustment cam
- 0°-90° rotation adjustment bolts
- POM piston guides
- Minimum air pressure rating: 80 psi
- Maximum air pressure rating: 116 psi
- Working temperature: -4°F - 302°F
- No lubrication maintenance required for the entire actuator lifetime

VALVE FEATURES

- 3-way Carbon Steel Full Port Diverter Ball Valve
- Available in NPT and SAE
- Full port, sizes 3/8" to 1"
- Blow out proof stem
- Pressure rating 5880 psi (3/8"), 5145 psi (1/2 to 1")
- Temperature range -20°F to 215°F

PRESSURE - TEMPERATURE CHART FOR SERIES 3400/3500

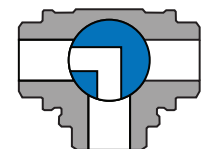


FLOW PATH VARIATIONS

L-PORT FLOW PATH A

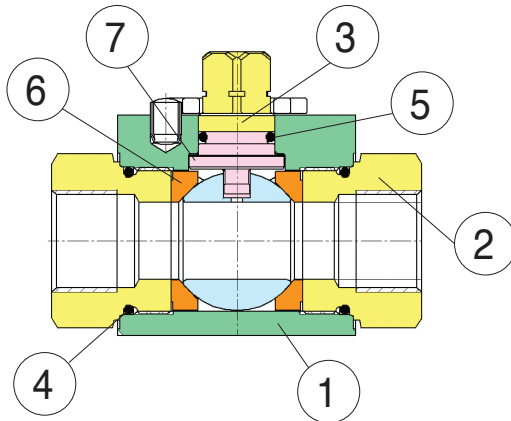


POSITION 1



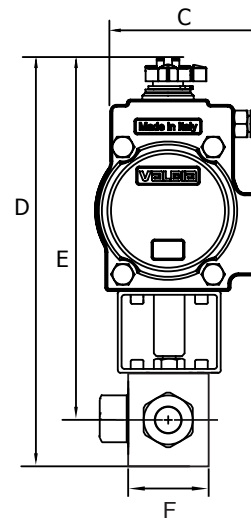
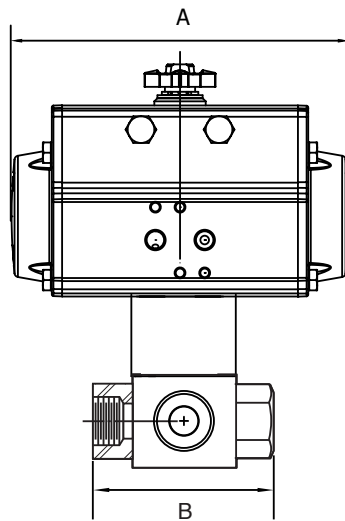
POSITION 2

BILL OF MATERIALS FOR 3400/3500



N POS	PART NAME	MATERIAL	N PCS
1	BODY	OXIDE COATED CARBON STEEL	1
2	END FITTING	OXIDE COATED CARBON STEEL	3
3	STEM	COATED STEEL	1
4	O-RING	VITON®	1
5	STEM SEAL	VITON®	2
6	BALL SEAT	DELTRIN	3
7	THRUST WASHER	DELTRIN	1

DIMENSIONS



8P3400
8P3500

3400 W/ **DOUBLE ACTING** ACTUATOR
 3500 W/ **DOUBLE ACTING** ACTUATOR

Size	A	B	C	D	E	F	ACT. DA
3/8" NPT 9/16-18 SAE	5.55	2.87	2.80	9.34	7.79	1.26	52
1/2" NPT 3/4-16 SAE	5.55	3.62	2.80	9.38	7.81	1.38	52
3/4" NPT 1-1/16-12 SAE	6.46	3.82	3.17	11.15	8.86	1.93	63
1" NPT 1-5/16-12 SAE	6.46	4.45	3.17	11.24	8.90	2.36	63

8P3402
8P3502

3400 W/ **SPRING RETURN** ACTUATOR
 3500 W/ **SPRING RETURN** ACTUATOR

Size	A	B	C	D	E	F	ACT. SR
3/8" NPT 9/16-18 SAE	6.46	2.87	3.72	10.50	8.95	1.26	75
1/2" NPT 3/4-16 SAE	6.46	2.87	3.72	10.54	8.97	1.38	75
3/4" NPT 1-1/16-12 SAE	8.27	3.82	4.17	12.41	10.12	1.93	85
1" NPT 1-5/16-12 SAE	9.47	4.45	4.84	13.00	10.66	2.36	100