

JOB NAME:	CONTRACTOR:
JOB LOCATION:	APPROVAL:
ENGINEER:	CONTRACTOR P.O.:
APPROVAL:	REPRESENTATIVE:

## 8P3200

**3200** 2-WAY CARBON STEEL, FNPT  
THREADED DIRECT MOUNT BALL VALVE WITH  
**DOUBLE ACTING** ACTUATOR

## 8P3202

**3202** 2-WAY CARBON STEEL, FNPT  
THREADED DIRECT MOUNT BALL VALVE WITH  
**SPRING RETURN** ACTUATOR  
SIZES 3/8" TO 1"

## 8P3300

**3300** 2-WAY CARBON STEEL, SAE  
THREADED DIRECT MOUNT BALL VALVE WITH  
**DOUBLE ACTING** ACTUATOR

## 8P3302

**3300** 2-WAY CARBON STEEL, SAE  
THREADED DIRECT MOUNT BALL VALVE WITH  
**SPRING RETURN** ACTUATOR  
SIZES 9/16"-18 TO 1-5/16"-12

### SPECIFICATIONS

The Bonomi 8P3200/8P3202/8P3300/8P3302 series pneumatic actuated packages feature the 3300 series high-pressure NPT carbon steel hydraulic ball valve, and the 3300 series features all the same characteristics, however, with SAE connections.

The Valbia pneumatic actuator comes with a hard-anodized aluminum body, and powder coated end caps. In addition, all Valbia pneumatic actuators are standardly furnished with elevated temperature seals to 302°F. The patented side loaded limit stops never enter the piston chamber eliminating extra possible leak paths.

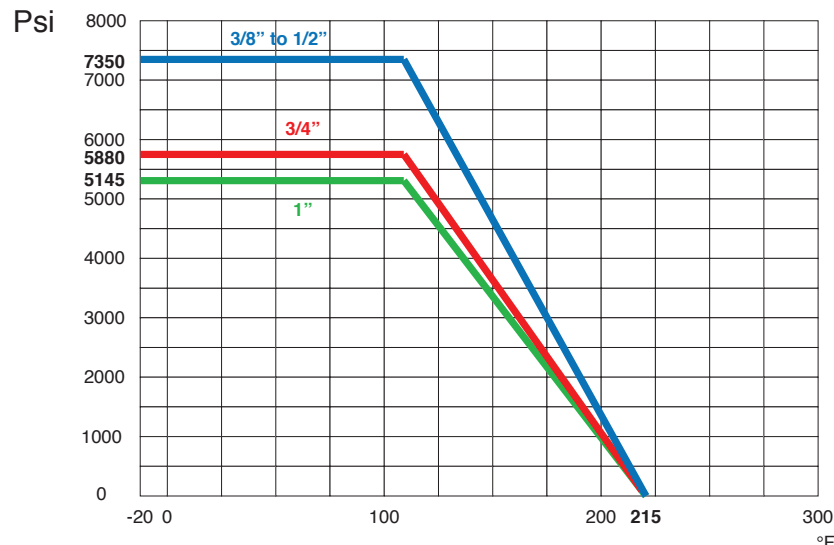
### ACTUATOR FEATURES

- Hard anodized extruded aluminum body
- Concentric spring sets
- Die cast aluminum end caps
- Solid steel barstock pinion (not casting)
- 0°-90° rotation adjustment cam
- 0°-90° rotation adjustment bolts
- POM piston guides
- Minimum air pressure rating: 80 psi
- Maximum air pressure rating: 116 psi
- Working temperature: -4°F - 302°F
- No lubrication maintenance required for the entire actuator lifetime

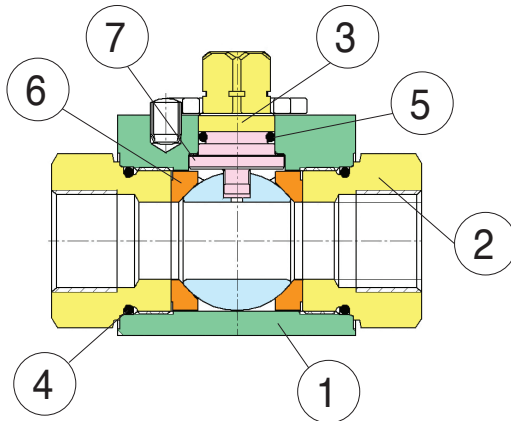
### VALVE FEATURES

- Carbon Steel Full Port Ball Valve
- Available in NPT and SAE
- Full port, sizes 3/8" to 1"
- Blow out proof stem
- Pressure rating 7350 psi (3/8" to 1/2"), 5880 psi (3/4"), 5145 psi (1")
- Temperature range -20°F to 215°F

### PRESSURE - TEMPERATURE CHART FOR SERIES 3200/3300

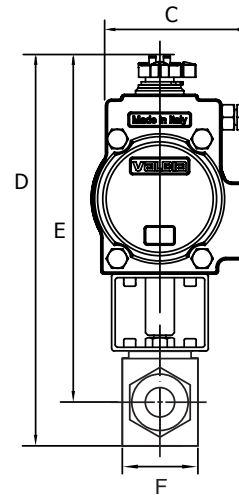
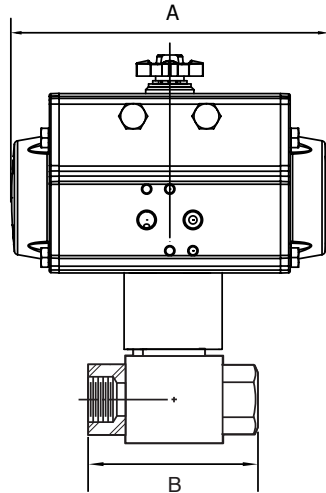


## BILL OF MATERIALS FOR 3200/3300



N POS	PART NAME	MATERIAL	N PCS
1	BODY	OXIDE COATED CARBON STEEL	1
2	END FITTING	OXIDE COATED CARBON STEEL	2
3	STEM	COATED STEEL	1
4	O-RING	VITON®	1
5	STEM SEAL	VITON®	2
6	BALL SEAT	DELRIN	2
7	THRUST WASHER	DELRIN	1

## DIMENSIONS



**8P3200**  
**8P3300**

3200 W/ **DOUBLE ACTING** ACTUATOR  
3300 W/ **DOUBLE ACTING** ACTUATOR

Size	A	B	C	D	E	F	ACT. DA
3/8" NPT 9/16-18 SAE	5.55	2.87	2.80	9.34	7.79	1.26	52
1/2" NPT 3/4-16 SAE	5.55	3.62	2.80	9.38	7.81	1.38	52
3/4" NPT 1-1/16-12 SAE	6.46	3.82	3.17	11.15	8.86	1.93	63
1" NPT 1-5/16-12 SAE	6.46	4.45	3.17	11.24	8.90	2.36	63

**8P3202**  
**8P3302**

3200 W/ **SPRING RETURN** ACTUATOR  
3300 W/ **SPRING RETURN** ACTUATOR

Size	A	B	C	D	E	F	ACT. SR
3/8" NPT 9/16-18 SAE	6.46	2.87	3.72	10.50	8.95	1.26	75
1/2" NPT 3/4-16 SAE	8.27	3.62	4.17	11.09	9.52	1.38	85
3/4" NPT 1-1/16-12 SAE	8.27	3.82	4.17	12.41	10.12	1.93	85
1" NPT 1-5/16-12 SAE	9.47	4.45	4.84	13.00	10.66	2.36	100