

JOB NAME:	CONTRACTOR:
JOB LOCATION:	APPROVAL:
ENGINEER:	CONTRACTOR P.O.:
APPROVAL:	REPRESENTATIVE:

## 8P3100

**3100 2-WAY STAINLESS STEEL, FNPT THREADED DIRECT MOUNT BALL VALVE WITH DOUBLE ACTING ACTUATOR**

**SIZES 1/4" TO 2"**

## 8P3102

**3100 2-WAY STAINLESS STEEL, FNPT THREADED DIRECT MOUNT BALL VALVE WITH SPRING RETURN ACTUATOR**

**SIZES 1/4" TO 2"**

### SPECIFICATIONS

The Bonomi 8P3100/8P3102 series pneumatic actuated package features a 3000 psi investment cast ASTM A351-CF8M stainless steel ball valve, with an ISO 5211 direct mount pad and square stem. The valve also features Delrin seats and a grounded ball & stem.

The Valbia pneumatic actuator comes with a hard-anodized aluminum body, and powder coated end caps. In addition, all Valbia pneumatic actuators are standardly furnished with elevated temperature seals to 302°F. The patented side loaded limit stops never enter the piston chamber eliminating extra possible leak paths.

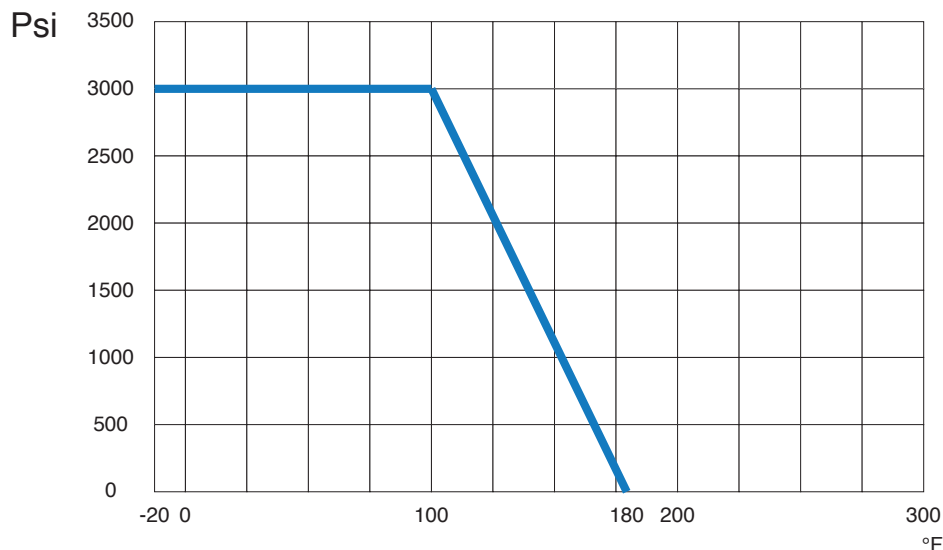
### ACTUATOR FEATURES

- Hard anodized extruded aluminum body
- Concentric spring sets
- Die cast aluminum end caps
- Solid steel barstock pinion (not casting)
- 0°-90° rotation adjustment cam
- 0°-90° rotation adjustment bolts
- POM piston guides
- Minimum air pressure rating: 80 psi
- Maximum air pressure rating: 116 psi
- Working temperature: -4°F - 302°F
- No lubrication maintenance required for the entire actuator lifetime
- 100% factory tested

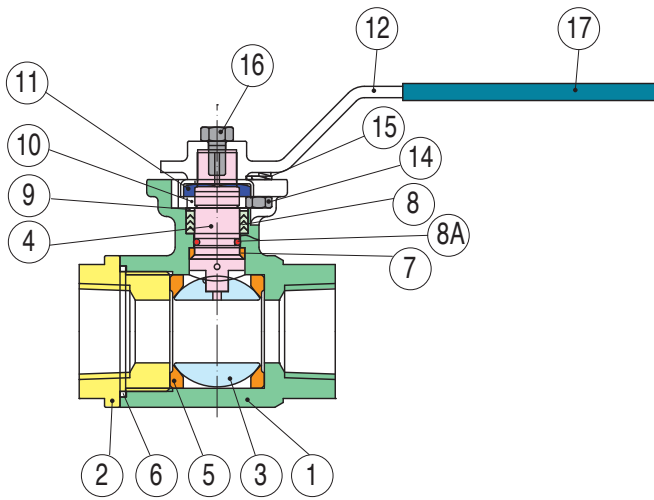
### VALVE FEATURES

- 2-piece CF8M body
- Full port, sizes 1/4" to 1-1/2"
- Reduced port, sizes 2"
- Blow out proof stem/anti-static design
- Pressure rating 3000 psi (100°F)
- Temperature range -20°F to 185°F
- ISO 5211 mounting pad

### PRESSURE - TEMPERATURE CHART FOR SERIES 3100



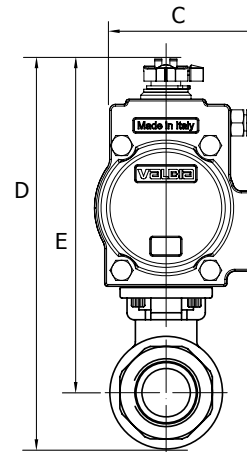
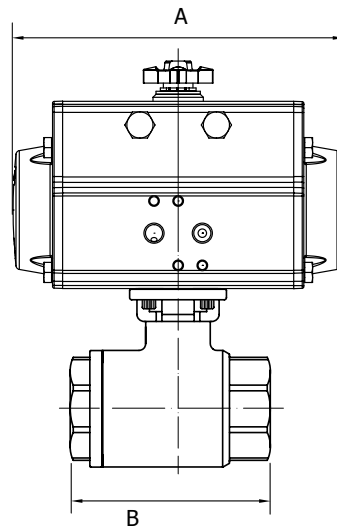
## BILL OF MATERIALS FOR 3100



N POS	PART NAME	MATERIAL	N POS
1	BODY	CF8M	1
2	END CAP	CF8M	1
3	BALL	CF8M	1
4	ANTI-STATIC STEM	SS 316	1
5	BALL SEAT	DELRIN	2
6	BODY SEAL	P.T.F.E.	1
7	THRUST WASHER	P.T.F.E.	1
8	STEM PACKING	P.T.F.E.	1
8A	O-RING	VITON	1

N POS	PART NAME	MATERIAL	N POS
9	THRUST WASHER	50% SS - 50% P.T.F.E.	1
10	STEM NUT	SS 304	1
11	LOCK SADDLE	SS 304	1
12	HANDLE	SS 304	1
13	STOP BOLT	SS 304	1
14	STOP NUT	SS 304	1
15	STOP WASHER	SS 304	1
16	HANDLE BOLD	SS 304	1
17	HANDLE SLEEVE	VINYL	1

## DIMENSIONS



### 8P3100

3100 W/ **DOUBLE ACTING** ACTUATOR

Size	A	B	C	D	E	ACT. DA
1/4"	5.55	2.95	2.80	5.61	6.11	52
3/8"	5.55	2.95	2.80	5.61	6.11	52
1/2"	5.55	2.95	2.80	5.61	6.11	52
3/4"	5.55	3.19	2.80	5.72	6.59	52
1"	6.46	3.58	3.17	6.56	7.56	63
1-1/4"	8.27	4.33	3.72	7.48	8.58	75
1-1/2"	8.27	4.76	3.72	8.12	9.39	75
2"	8.27	5.71	3.72	8.12	9.77	75

### 8P3100

3100 W/ **SPRING RETURN** ACTUATOR

Size	A	B	C	D	E	ACT. SR
1/4"	6.46	2.95	3.17	6.06	6.56	63
3/8"	6.46	2.95	3.17	6.06	6.56	63
1/2"	8.27	2.95	3.72	9.27	9.77	75
3/4"	8.27	3.19	3.72	9.38	10.25	75
1"	9.47	3.58	4.17	7.82	8.82	85
1-1/4"	10.83	4.33	4.84	10.03	11.13	100
1-1/2"	13.11	4.76	5.39	10.53	11.80	115
2"	13.11	5.71	5.39	10.53	12.18	115