



JOB NAME:	CONTRACTOR:
JOB LOCATION:	APPROVAL:
ENGINEER:	CONTRACTOR P.O.:
APPROVAL:	REPRESENTATIVE:

8P2DAPVC

PVC-BV2 DIRECT MOUNT, 2-WAY PVC, FULL PORT BALL VALVE W **DOUBLE ACTING** PNEUMATIC ACTUATOR

8P2DACPVC

CPVC-BV2 DIRECT MOUNT, 2-WAY PVC, FULL PORT BALL VALVE W **DOUBLE ACTING** PNEUMATIC ACTUATOR
1/2" TO 4"

8P2SRPVC

PVC-BV2 DIRECT MOUNT, 2-WAY PVC, FULL PORT BALL VALVE W **SPRING RETURN** PNEUMATIC ACTUATOR

8P2SRCPVC

CPVC-BV2 DIRECT MOUNT, 2-WAY PVC, FULL PORT BALL VALVE W **SPRING RETURN** PNEUMATIC ACTUATOR
1/2" TO 4"

SPECIFICATIONS

The valve body, stem, ball and unions shall be made of PVC compound which shall meet classification 12454 of ASTM D 1784, or the valve body, stem, ball and unions shall be made of CPVC compound and shall meet classification 23447 of ASTM D 1784. The ball seats shall be made of PTFE and the O-Ring seals shall be made of EPDM.

The PVC IPS/Socket connectors shall conform to the dimensional standards ASTM D2466 and ASTM D2467, and the CPVC shall conform to the dimensional standard ASTM F439. The NPT PVC connectors shall conform to the dimensional standards of ASTM D2464, ASTM F1498, and ANSI B1.20.1 thread depths. The NPT CPVC shall conform to ASTM F437, ASTM F1498, and ANSI B1.20.1 thread depths.

The rack and pinion style pneumatic actuator body shall be made from hard anodized extruded aluminum, and shall incorporate adjustable side 0-90 adjustable limit stops that do not internally enter the cylinder bore. The actuator temperature range shall be -4°F to 302°F.

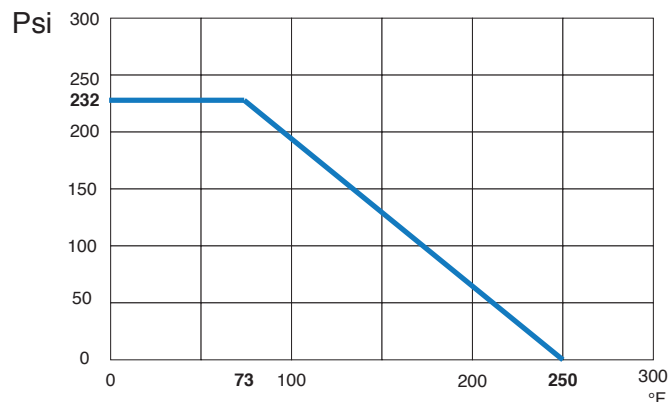
ACTUATOR FEATURES

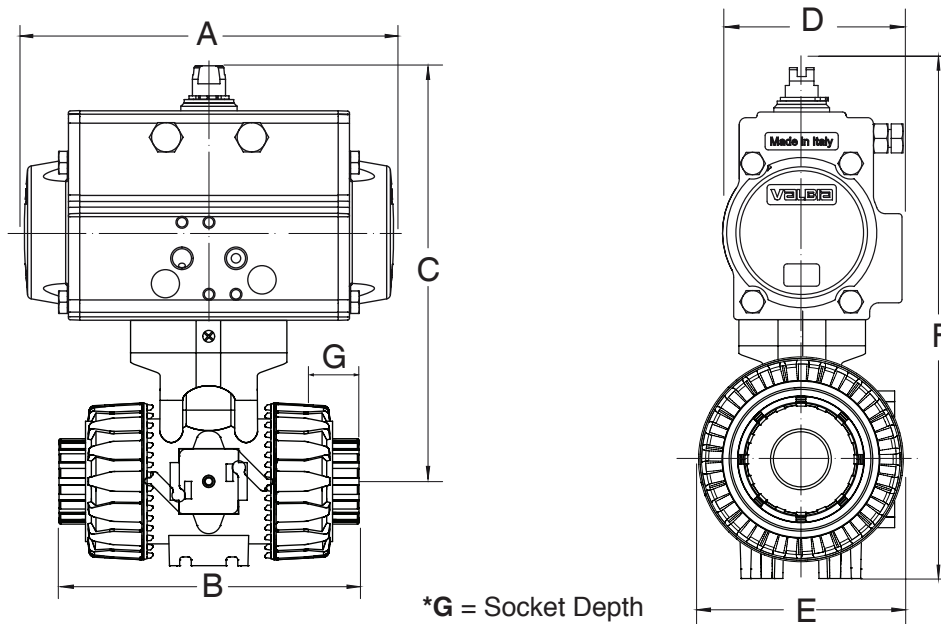
- Hard anodized extruded aluminum body
- Concentric spring sets
- Die cast aluminum end caps
- Solid steel barstock pinion (not casting)
- 0°-90° rotation adjustment cam
- 0°-90° rotation adjustment bolts
- POM piston guides
- Minimum air pressure rating: 80 psi
- Maximum air pressure rating: 116 psi
- Working temperature: -4°F - 302°F
- No lubrication maintenance required for the entire actuator lifetime
- 100% factory tested

VALVE FEATURES

- 2-Way Full Port
- Size Range 1/2" Through 4"
- NPT and Socket Ends included
- EPDM Seats and Seals
- Dual Union Nut Locks
- 232 PSI at 73°F
- Viton Seats and Seals Available

PRESSURE - TEMPERATURE CHART FOR SERIES PVC-BV2/CPVC-BV2



DIMENSIONS

8P2DAPVC
8P2DACPVC

 PVC-BV2 W/ **DOUBLE ACTING** ACTUATOR
 CPVC-BV2 W/ **DOUBLE ACTING** ACTUATOR

Size	A	B	C	D	E	F	G	Actuator	Cv	Wt.
1/2"	5.55	4.61	6.27	2.79	2.13	7.41	0.89	DA52	14	3.0
3/4"	5.55	5.08	6.88	2.79	2.56	8.24	1.00	DA52	27	3.3
1"	5.55	5.59	6.90	2.79	2.87	8.44	1.13	DA52	53.9	3.6
1-1/4"	5.55	6.38	7.81	2.79	3.39	9.62	1.26	DA52	77	4.0
1-1/2"	5.55	6.77	8.08	2.79	3.86	10.13	1.38	DA63	123	4.8
2"	6.45	7.83	8.97	3.16	4.80	11.41	1.50	DA63	238	7.3
2-1/2"	8.26	9.25	9.84	3.72	6.46	13.27	1.75	DA75	368	12.0
3"	8.26	10.63	10.35	3.72	7.99	14.48	1.89	DA75	497	16.5
4"	9.46	12.13	11.61	4.17	9.37	16.69	2.26	DA75	665	30.0

8P2SRPVC
8P2SRCPVC

 PVC-BV2 W/ **SPRING RETURN** ACTUATOR
 CPVC-BV2 W/ **SPRING RETURN** ACTUATOR

Size	A	B	C	D	E	F	G	Actuator	Cv	Wt.
1/2"	5.55	4.61	6.27	2.79	2.13	7.41	0.89	SR52	14	3.5
3/4"	5.55	5.08	6.88	2.79	2.56	8.24	1.00	SR52	27	3.8
1"	5.55	5.59	6.90	2.79	2.87	8.44	1.13	SR52	53.9	4.1
1-1/4"	6.45	6.38	8.30	3.16	3.39	10.11	1.26	SR63	77	6.0
1-1/2"	6.45	6.77	8.57	3.16	3.86	10.62	1.38	SR63	123	6.8
2"	8.26	7.83	9.64	3.72	4.80	12.08	1.50	SR75	238	11.5
2-1/2"	9.46	9.25	10.39	4.17	6.46	13.82	1.75	SR85	368	17.0
3"	40.82	10.63	11.41	4.84	7.99	15.54	1.89	SR100	497	26.0
4"	13.11	12.13	13.48	5.39	9.37	18.56	2.26	SR115	665	46.0