

JOB NAME:	CONTRACTOR:
JOB LOCATION:	APPROVAL:
ENGINEER:	CONTRACTOR P.O.:
APPROVAL:	REPRESENTATIVE:

8P1300

1300 2-WAY, 3-PIECE DIRECT MOUNT STAINLESS STEEL PORT INSTRUMENTATION BALL WITH DOUBLE ACTING ACTUATOR

SIZES 1/4" TO 3/4"

8P1302

1300 2-WAY, 3-PIECE DIRECT MOUNT STAINLESS STEEL PORT INSTRUMENTATION BALL WITH SPRING RETURN ACTUATOR

SIZES 1/4" TO 3/4"

SPECIFICATIONS

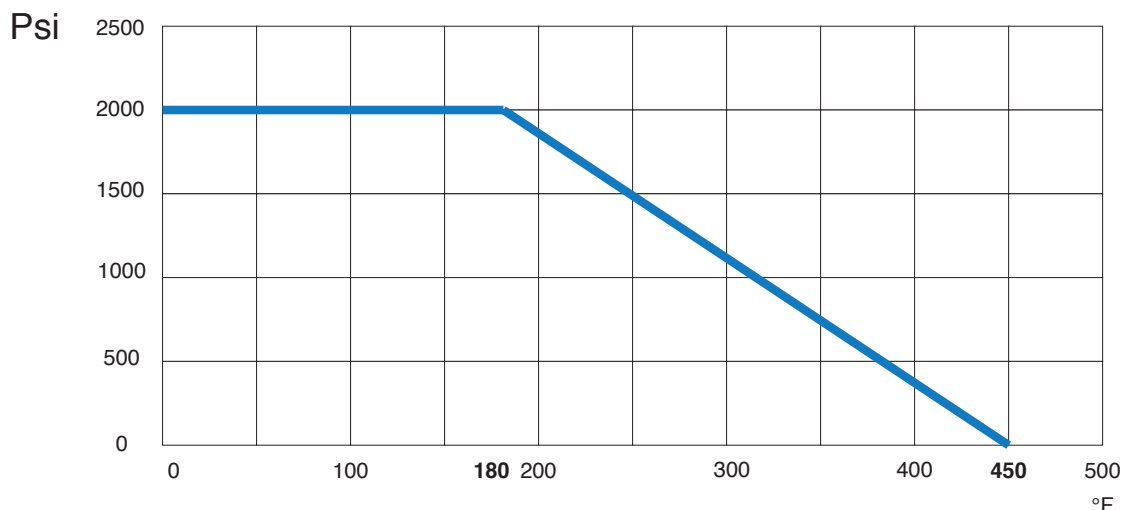
ACTUATOR FEATURES

- Hard anodized extruded aluminum body
- Concentric spring sets
- Die cast aluminum end caps
- Solid steel barstock pinion (not casting)
- 0°-90° rotation adjustment cam
- 0°-90° rotation adjustment bolts
- POM piston guides
- Minimum air pressure rating: 80 psi
- Maximum air pressure rating: 116 psi
- Working temperature: -4°F - 302°F
- No lubrication maintenance required for the entire actuator lifetime
- 100% factory tested

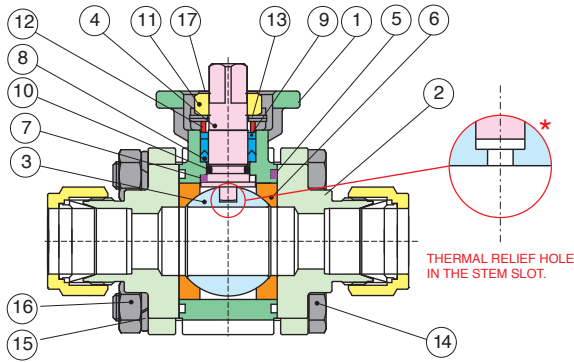
VALVE FEATURES

- 3-Pc. Stainless Steel Port Instrumentation Ball
- Standard port, sizes 1/4" to 3/4"
- Working pressure to 2000 psi
- Temperature range -4°F to 450°F
- ISO 5211 mounting pad with double "D" stem
- TFM1600 seats
- P.T.F.E. packing and seals
- Extremely high cycle life
- Compression ends with heat treated ferrules

PRESSURE - TEMPERATURE CHART FOR SERIES 1300



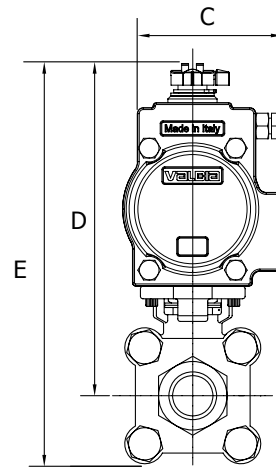
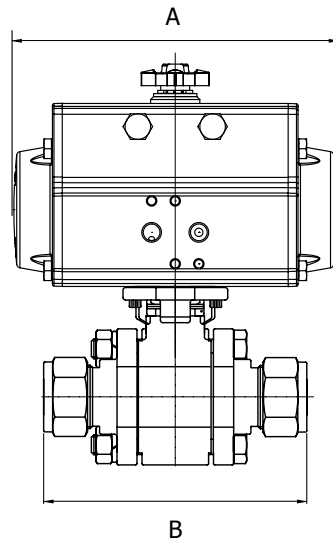
BILL OF MATERIALS FOR 1300



N POS	PART NAME	MATERIAL	N PCS
1	BODY	CF8M	1
2	END CAP	CF8M	2
3	BALL	SS 316	1
4	STEM	SS 316	1
5	PACKING	P.T.F.E.	2
6	SEAT	TFM1600	2
7	STEM SEAL	P.T.F.E.	1
8	V-RING PACKING	P.T.F.E.	1 Set
9	BUSHING	50% SS - 50% P.T.F.E.	1

N POS	PART NAME	MATERIAL	N PCS
10	O-RING	FKM (Viton®)	1
11	STEM NUT	SS304	1
12	GLAND	SS304	1
13	BELLEVILLE WASHER	SS304	2
14	BOLT	SS304	4
15	WASHER	SS304	4
16	BOLT NUT	SS304	4
17	LOCK SADDLE	SS304	1

DIMENSIONS



8P1300

1300 W/ **DOUBLE ACTING** ACTUATOR

Size	A	B	C	D	E	ACT. DA
1/4"	4.33	3.74	1.77	4.15	5.00	32
3/8"	4.33	3.79	1.77	4.15	5.00	32
1/2"	4.33	4.02	1.77	4.15	5.00	32
3/4"	4.33	4.02	1.77	4.28	5.38	32

8P1302

1300 W/ **SPRING RETURN** ACTUATOR

Size	A	B	C	D	E	ACT. SR
1/4"	5.55	3.74	2.80	5.59	6.44	52
3/8"	5.55	3.79	2.80	5.59	6.44	52
1/2"	5.55	4.02	2.80	5.59	6.44	52
3/4"	6.46	4.02	3.17	5.60	6.70	63-04