



JOB NAME:	CONTRACTOR:
JOB LOCATION:	APPROVAL:
ENGINEER:	CONTRACTOR P.O.:
APPROVAL:	REPRESENTATIVE:

8P0197 - 8P0201 - 8P0205
(NPT) (SW) (BW)

710085 BRACKET MOUNTED, 3-PC, 2-WAY CARBON STEEL, FULL PORT BALL VALVE FOR STEAM IN NPT, SW OR BW W/VALBIA DOUBLE ACTING PNEUMATIC ACTUATOR

SIZES 1/4" TO 4"

8P0198 - 8P0202- 8P0206
(NPT) (SW) (BW)

710085 BRACKET MOUNTED, 3-PC, 2-WAY CARBON STEEL, FULL PORT BALL VALVE FOR STEAM IN NPT, SW OR BW W/VALBIA SPRING RETURN PNEUMATIC ACTUATOR

SIZES 1/4" TO 4"

SPECIFICATIONS

The 8P0197/8P0201/8P0205/8P0198/8P0202/8P0206 packages will include one of the following three-piece full port ball valves: The Italian made 710085[NPT], 710064[socket weld] or the 710065[Butt weld]. The base valve is made from ASTM A 216-WCB carbon steel body and end caps and is rated for 250WSP. The valve has an ISO 5211 pad is standard with a double D stem that utilizes a bracket for assembly to the actuator. The seats are 25% carbon-filled PTFE and there is a thermal relief hole for added elevated temperature protection.

The Valbia pneumatic actuator comes with a hard-anodized aluminum body, and powder coated end caps. In addition, all Valbia pneumatic actuators are standardly furnished with elevated temperature seals to 302F. The patented side loaded limit stops never enter the piston chamber eliminating extra possible leak paths.

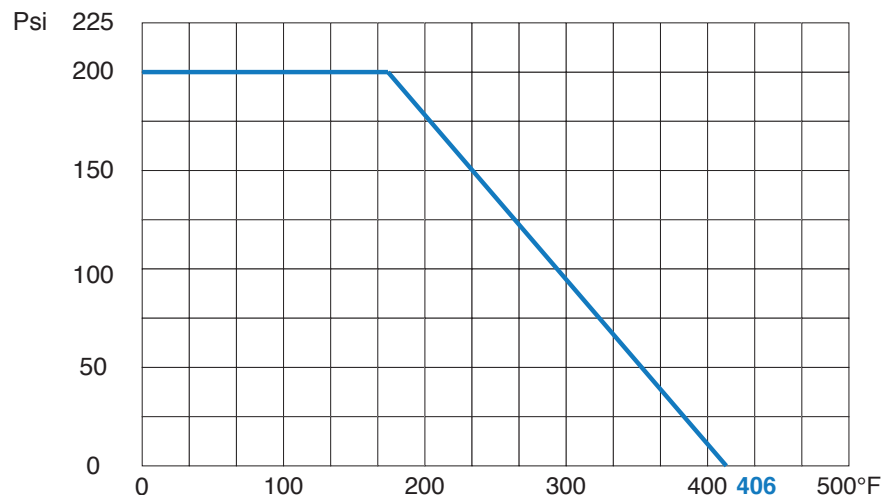
ACTUATOR FEATURES

- Hard anodized extruded aluminum body
- Concentric spring sets
- Die cast aluminum end caps
- Solid steel barstock pinion (not casting)
- 0°-90° rotation adjustment cam
- 0°-90° rotation adjustment bolts
- POM piston guides
- Minimum air pressure rating: 80 psi
- Maximum air pressure rating: 116 psi
- Working temperature: -4°F - 302°F
- No lubrication maintenance required for the entire actuator lifetime
- 100% factory tested

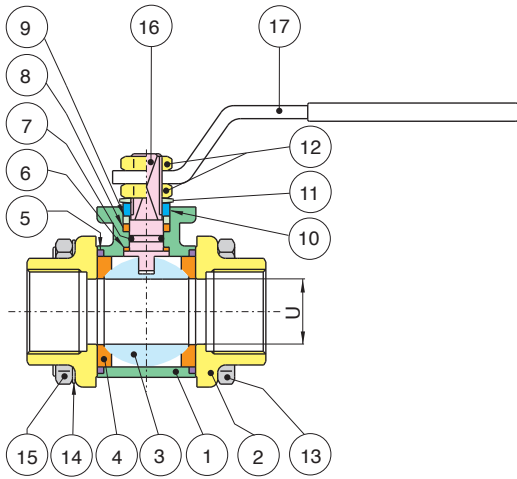
VALVE FEATURES

- 3-piece WCB body
- Full port, sizes 1/4" to 4"
- Blow out proof stem, adjustable stem packing.
- Thermal relief hole in the stem slot
- ISO 5211 mounting pad with double "D" stem
- 100% electronically tested in the open and closed position at 80 psi.
- TUV T.A. Luft approved.
- Steam pressure to 250 psi.
- Temperature range: -4° F to 406° F.
- 25% carbon filled P.T.F.E ball seats.

PRESSURE - TEMPERATURE CHART FOR SERIES 710085/710064/710065



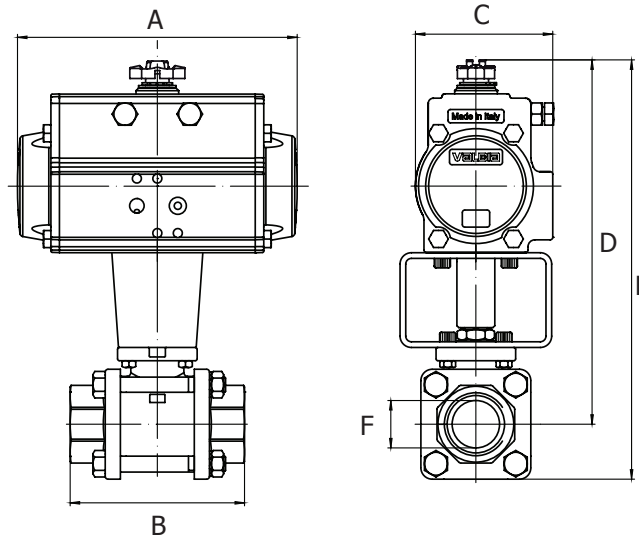
BILL OF MATERIALS FOR 710085/710064/710065



N POS	PART NAME	MATERIAL	N PCS
1	BODY	ASTM A105-WCB	1
2	END CAP	ASTM A105-WCB	2
3	BALL	AISI 304-CF8M	1
4	BALL SEAT	R.P.T.F.E.	2
5	SEAL	VITON	2
6	STEM SEAL	R.P.T.F.E.	1
7	O-RING	FKM (Viton)	1
8	STEM SEAL	R.P.T.F.E.	1
9	PACKING GLAND	STEEL	1

N POS	PART NAME	MATERIAL	N PCS
10	END STOP	AISI 430 (1/4" - 2")	2
		STEEL (2-1/2" - 4")	1
11	SPRING WASHER	STEEL (2-1/2" - 4")	2
12	NUT	STEEL	2
13	BOLT	STEEL (1/4" - 2")	4
		STEEL (2-1/2" - 4")	6
14	WASHER	STEEL (1/4" - 2")	4
		STEEL (2-1/2" - 4")	6
15	NUT	STEEL (1/4" - 2")	4
		STEEL (2-1/2" - 4")	6
16	STEM	AISI 304	1
17	HANDLE	STEEL	1

DIMENSIONS



8P0197 (NPT) 710085 with **DOUBLE ACTING** Actuator
8P0201 (SW) 710064 with **DOUBLE ACTING** Actuator
8P0205 (BW) 710065 with **DOUBLE ACTING** Actuator

8P0198 (NPT) 710085 with **SPRING RETURN** Actuator
8P0202 (SW) 710064 with **SPRING RETURN** Actuator
8P0206 (BW) 710065 with **SPRING RETURN** Actuator

Size	A	B	C	D	E	ACT. DA
1/4"	4.33	2.24	1.77	4.37	5.03	32
3/8"	4.33	2.24	1.77	4.37	5.03	32
1/2"	4.33	2.55	1.77	4.56	5.31	32
3/4"	5.55	2.99	2.80	7.40	8.34	52
1"	5.55	3.62	2.80	7.59	8.74	52
1-1/4"	5.55	4.19	2.80	7.75	9.05	52
1-1/2"	6.46	4.56	3.17	9.01	10.51	63
2"	8.27	5.36	3.72	9.96	11.73	75
2-1/2"	9.47	6.04	4.17	11.06	13.70	85
3"	9.47	7.08	4.17	11.49	14.69	85
4"	10.83	8.54	4.84	13.42	17.16	100

Size	A	B	C	D	E	ACT. DA
1/4"	5.55	2.24	2.80	5.82	6.45	52
3/8"	5.55	2.24	2.80	5.82	6.45	52
1/2"	5.55	2.55	2.80	5.98	6.73	52
3/4"	6.46	2.99	3.17	7.87	8.81	63
1"	6.46	3.62	3.17	8.07	9.21	63
1-1/4"	6.46	4.19	3.17	8.22	9.52	63
1-1/2"	9.47	4.56	4.17	10.27	11.77	85
2"	10.83	5.35	4.84	11.06	12.83	100
2-1/2"	13.11	6.04	5.39	13.70	16.33	115
3"	14.65	7.08	5.83	14.60	17.79	125
4"	14.65	8.54	5.83	15.23	18.97	125