

JOB NAME:	CONTRACTOR:
JOB LOCATION:	APPROVAL:
ENGINEER:	CONTRACTOR P.O.:
APPROVAL:	REPRESENTATIVE:

8P0181

776018 3-WAY WAFER STYLE, BRACKET MOUNTED, STAINLESS STEEL DIVERTING BALL VALVE, "L" PORT, TWO SEATS, ANSI CLASS 150, REDUCED BORE WITH DOUBLE ACTING PNEUMATIC ACTUATOR

8P0183

776032 3-WAY WAFER STYLE, BRACKET MOUNTED, CARBON STEEL DIVERTING BALL VALVE, "L" PORT, TWO SEATS, ANSI CLASS 150, REDUCED BORE WITH DOUBLE ACTING PNEUMATIC ACTUATOR

SIZES 1/2" TO 4"

8P0182

776018 3-WAY WAFER STYLE, BRACKET MOUNTED, STAINLESS STEEL DIVERTING BALL VALVE, "L" PORT, TWO SEATS, ANSI CLASS 150, REDUCED BORE WITH SPRING RETURN PNEUMATIC ACTUATOR

8P0184

776032 3-WAY WAFER STYLE, BRACKET MOUNTED, CARBON STEEL DIVERTING BALL VALVE, "L" PORT, TWO SEATS, ANSI CLASS 150, REDUCED BORE WITH SPRING RETURN PNEUMATIC ACTUATOR

SIZES 1/2" TO 4"

SPECIFICATIONS

The Bonomi 8P0181/8P0183/8P0182/8P0184 series pneumatic actuated packages feature 776032 short profile, carbon steel, ANSI 150 Class 3-way L port ball valve, or the 776018 stainless steel option of the same design.

The Valbia pneumatic actuator comes with a hard-anodized aluminum body, and powder coated end caps. In addition, all Valbia pneumatic actuators are standardly furnished with elevated temperature seals to 302°F. The patented side loaded limit stops never enter the piston chamber eliminating extra possible leak paths.

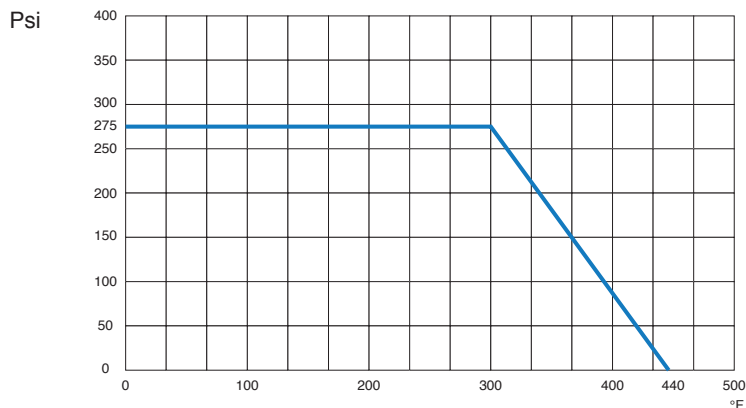
ACTUATOR FEATURES

- Hard anodized extruded aluminum body
- Concentric spring sets
- Die cast aluminum end caps
- Solid steel barstock pinion (not casting)
- 0°-90° rotation adjustment cam
- 0°-90° rotation adjustment bolts
- POM piston guides
- Minimum air pressure rating: 80 psi
- Maximum air pressure rating: 116 psi
- Working temperature: -4°F - 302°F
- No lubrication maintenance required for the entire actuator lifetime
- 100% factory tested

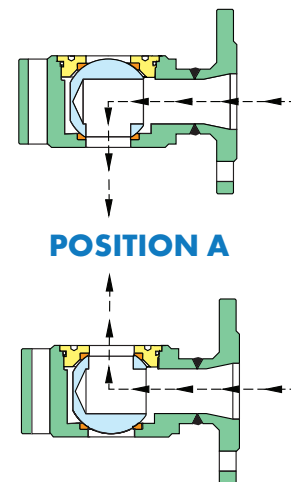
VALVE FEATURES

- ANSI Class 150, 3-way Diverter L port
- Compact design
- 776032 - Carbon Steel
- 776018 - Stainless Steel
- Sizes 1/2" to 4"
- Temperature range -4° F to 366° F.
- Blow out proof stem.
- R.P.T.F.E. seats, packing and thrust washer.
- 100% tested.
- TUV T.A. Luft approved.
- ISO 5211 mounting pad with double "D" stem

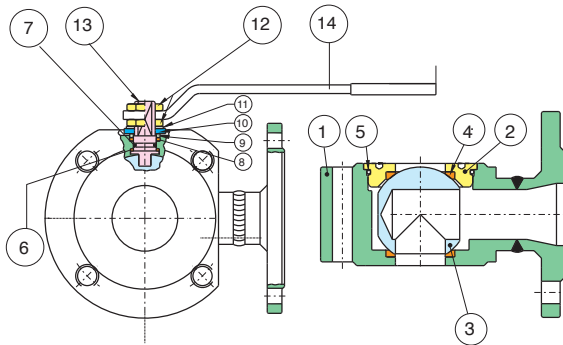
PRESSURE – TEMPERATURE CHART FOR SERIES 776018/776032



FLOW PATH



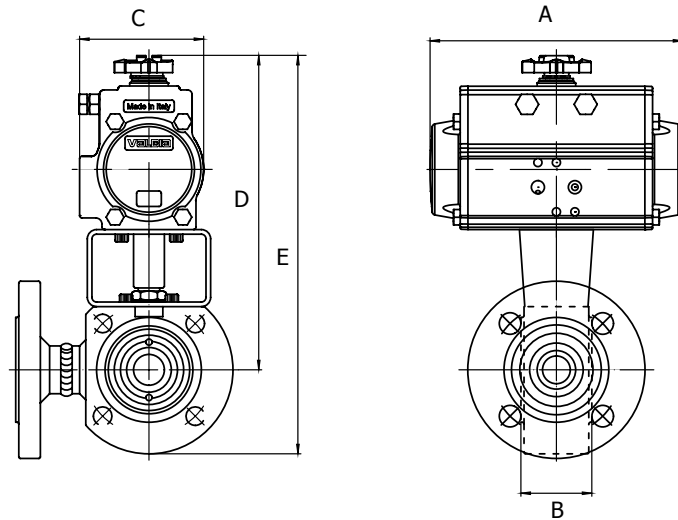
BILL OF MATERIALS FOR 776018 / 776032



N POS	PART NAME	MATERIAL	N PCS
1	BODY	ASTM A105 / AISI 316	1
2	END CONNECTION	ASTM A105 / AISI 316	1
3	BALL	AISI 304 / AISI 316	1
4	BALL SEAT	R.P.T.F.E.	2
5	O-RING	FKM (Viton®)	1
6	THRUST WASHER	P.T.F.E.	1
7	O-RING	FKM (Viton®)	1

N POS	PART NAME	MATERIAL	N PCS
8	STEM SEAL	P.T.F.E.	1
9	PACKING GLAND	STEEL	1
10	END STOP	STEEL (1/2" - 2")	2
		STEEL (2-1/2" - 4")	2
11	SPRING WASHER	STEEL	2
12	NUT	STEEL	2
13	STEM	AISI 304 / AISI 316	1
14	HANDLE	STEEL	1

DIMENSIONS



8P0181
8P0183

776018 W/ **DOUBLE ACTING** ACTUATOR
776032 W/ **DOUBLE ACTING** ACTUATOR

Size	A	B	C	D	E	ACT. DA
1/2"	4.33	1.57	1.77	5.78	7.51	32
3/4"	5.55	1.57	2.80	7.44	9.40	52
1"	5.55	1.81	2.80	7.59	9.76	52
1-1/4"	5.55	2.28	2.80	7.87	10.43	52
1-1/2"	6.46	2.79	3.17	8.93	11.69	63
2"	8.27	3.22	3.72	9.88	13.03	75
2-1/2"	9.47	4.17	4.17	11.10	14.64	85
3"	9.47	4.80	4.17	11.41	15.35	85
4"	10.83	5.98	4.84	13.38	17.71	100
6"	14.65	7.70	5.83	16.81	22.83	125

8P0182
8P0184

776018 W/ **SPRING RETURN** ACTUATOR
776032 W/ **SPRING RETURN** ACTUATOR

Size	A	B	C	D	E	ACT. SR
1/2"	5.55	1.57	2.80	7.20	8.97	52
3/4"	6.46	1.57	3.17	7.83	9.80	63
1"	6.46	1.81	3.17	8.03	10.19	63
1-1/4"	6.46	2.28	3.17	8.34	10.90	63
1-1/2"	9.47	2.79	4.17	10.19	12.95	85
2"	10.83	3.22	4.84	10.94	14.09	100
2-1/2"	13.11	4.17	5.39	13.74	17.28	115
3"	14.65	4.80	5.83	14.56	18.50	125
4"	14.65	5.98	5.83	15.23	19.56	125
6"	17.13	7.70	6.46	17.67	23.70	140