



JOB NAME:	CONTRACTOR:
JOB LOCATION:	APPROVAL:
ENGINEER:	CONTRACTOR P.O.:
APPROVAL:	REPRESENTATIVE:

8P0171 - 8P0191 - 8P0193
(NPT) (SW) (BW)

710003 BRACKET MOUNTED, 3-PC, 2-WAY CARBON STEEL, FULL PORT BALL VALVE IN NPT, SW OR BW W/VALBIA DOUBLE ACTING PNEUMATIC ACTUATOR

SIZES 1/4" TO 4"

8P0172 - 8P0192- 8P0194
(NPT) (SW) (BW)

710003 BRACKET MOUNTED, 3-PC, 2-WAY CARBON STEEL, FULL PORT BALL VALVE IN NPT, SW OR BW W/VALBIA SPRING RETURN PNEUMATIC ACTUATOR

SIZES 1/4" TO 4"

SPECIFICATIONS

The 8P0171-8P0191/8P0193/8P0172/8P0192/8P0194 packages will include one of the following three-piece full port ball valves: The Italian made 710003[NPT], 714000[socket weld] or the 712000[But weld]. The base valve is made from ASTM A 216-WCB carbon steel body and end caps. The valve has an ISO 5211 pad is standard with a double D stem that utilizes a bracket for assembly to the actuator.

The Valbia pneumatic actuator comes with a hard-anodized aluminum body, and powder coated end caps. In addition, all Valbia pneumatic actuators are standardly furnished with elevated temperature seals to 302F. The patented side loaded limit stops never enter the piston chamber eliminating extra possible leak paths.

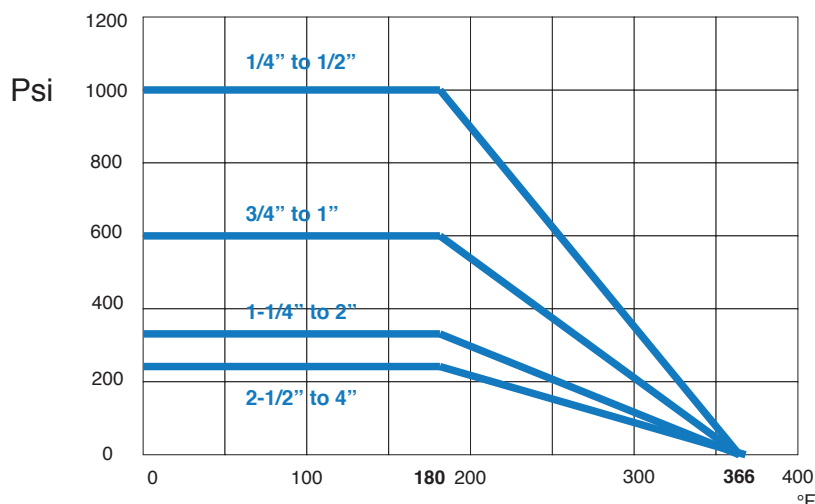
ACTUATOR FEATURES

- Hard anodized extruded aluminum body
- Concentric spring sets
- Die cast aluminum end caps
- Solid steel barstock pinion (not casting)
- 0°-90° rotation adjustment cam
- 0°-90° rotation adjustment bolts
- POM piston guides
- Minimum air pressure rating: 80 psi
- Maximum air pressure rating: 116 psi
- Working temperature: -4°F - 302°F
- No lubrication maintenance required for the entire actuator lifetime
- 100% factory tested

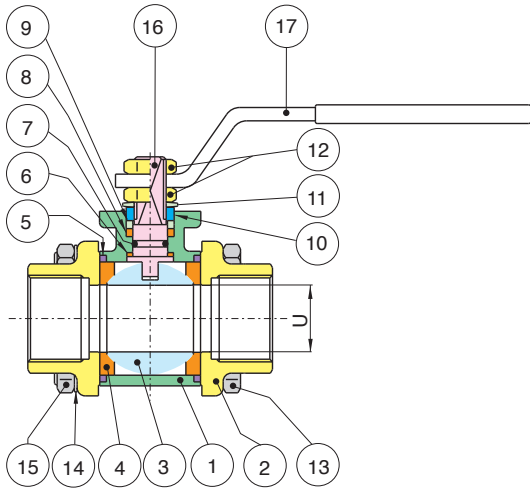
VALVE FEATURES

- WCB body
- Full port, sizes 1/4" to 4"
- ISO 5211 mounting pad
- Pressure rating 1/4" to 1/2" 1000 psi
- Pressure rating 3/4" to 1" 600 psi
- Pressure rating 1-1/4" to 2" 350 psi
- Pressure rating 2-1/2" to 4" 230 psi
- 150 psi steam
- Temperature range -4°F to +366°F
- Blow out proof stem, adjustable stem packing
- P.T.F.E. seats, packing and thrust washer
- 100% electronically tested in the open and closed position at 80 psi
- TUV T.A. Luft approved

PRESSURE - TEMPERATURE CHART FOR SERIES 710003/714000/715000



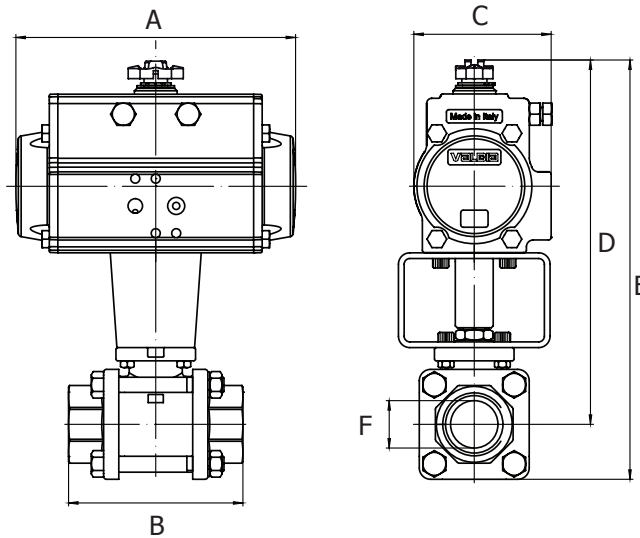
BILL OF MATERIALS FOR 710003/714000/715000



N POS	PART NAME	MATERIAL	N PCS
1	BODY	ASTM A105-WCB	1
2	END CAP	ASTM A105-WCB	2
3	BALL	AISI 304-CF8	1
4	BALL SEAT	P.T.F.E.	2
5	SEAL	P.T.F.E.	2
6	STEM SEAL	R.T.F.E.	1
7	O-RING	FKM (Viton®)	1
8	STEM SEAL	P.T.F.E.	1
9	PACKING GLAND	STEEL	1

N POS	PART NAME	MATERIAL	N PCS
10	END STOP	AISI 430 (1/4" - 2")	2
		STEEL (2-1/2" - 4")	1
11	SPRING WASHER	STEEL (2-1/2" - 4")	2
12	NUT	STEEL	2
13	BOLT	STEEL (1/4" - 2")	4
		STEEL (2-1/2" - 4")	6
14	WASHER	STEEL (1/4" - 2")	4
		STEEL (2-1/2" - 4")	6
15	NUT	STEEL (1/4" - 2")	4
		STEEL (2-1/2" - 4")	6
16	STEM	AISI 304	1
17	HANDLE	STEEL	1

DIMENSIONS



8P0171 (NPT)
8P0191 (SW)
8P0193 (BW)

710003 with **DOUBLE ACTING** Actuator
714000 with **DOUBLE ACTING** Actuator
715000 with **DOUBLE ACTING** Actuator

8P0172 (NPT)
8P0192 (SW)
8P0194 (BW)

710003 with **SPRING RETURN** Actuator
714000 with **SPRING RETURN** Actuator
715000 with **SPRING RETURN** Actuator

Size	A	B	C	D	E	ACT. DA
1/4"	4.33	2.24	1.77	4.37	5.03	32
3/8"	4.33	2.24	1.77	4.37	5.03	32
1/2"	4.33	2.55	1.77	4.56	5.31	32
3/4"	5.55	2.99	2.80	7.40	8.34	52
1"	5.55	3.62	2.80	7.59	8.74	52
1-1/4"	5.55	4.19	2.80	7.75	9.05	52
1-1/2"	6.46	4.56	3.17	9.01	10.51	63
2"	8.27	5.36	3.72	9.96	11.73	75
2-1/2"	9.47	6.04	4.17	11.06	13.70	85
3"	9.47	7.08	4.17	11.49	14.69	85
4"	10.83	8.54	4.84	13.42	17.16	100

Size	A	B	C	D	E	ACT. DA
1/4"	5.55	2.24	2.80	5.82	6.45	52
3/8"	5.55	2.24	2.80	5.82	6.45	52
1/2"	5.55	2.55	2.80	5.98	6.73	52
3/4"	6.46	2.99	3.17	7.87	8.81	63
1"	6.46	3.62	3.17	8.07	9.21	63
1-1/4"	6.46	4.19	3.17	8.22	9.52	63
1-1/2"	9.47	4.56	4.17	10.27	11.77	85
2"	10.83	5.35	4.84	11.06	12.83	100
2-1/2"	13.11	6.04	5.39	13.70	16.33	115
3"	14.65	7.08	5.83	14.60	17.79	125
4"	14.65	8.54	5.83	15.23	18.97	125