



JOB NAME:	CONTRACTOR:
JOB LOCATION:	APPROVAL:
ENGINEER:	CONTRACTOR P.O.:
APPROVAL:	REPRESENTATIVE:

## 8P0135

**253N DIRECT MOUNT, 2-WAY BRASS WITH 316SS BALL & STEM W/ DOUBLE ACTING ACTUATOR**

**SIZES 1/4" TO 2"**

## 8P0136

**253N DIRECT MOUNT, 2-WAY BRASS WITH 316SS BALL & STEM W/ SPRING RETURN ACTUATOR**

**SIZES 1/4" TO 2"**

### SPECIFICATIONS

The 8P0135/8P0136 series feature the 253N forged brass, full port, ISO direct mount ball valve with a Stainless-steel ball and stem. The 253N also features O-ring back energized seats for touch sealing both up and downstream. In addition, there is a double O-ring stem seal for high cyclic conditions. This series has the lowest break torque in the industry.

The Valbia pneumatic actuator comes with a hard-anodized aluminum body, and powder coated end caps. In addition, all Valbia pneumatic actuators are standardly furnished with elevated temperature seals to 302F. The patented side loaded limit stops never enter the piston chamber eliminating extra possible leak paths.

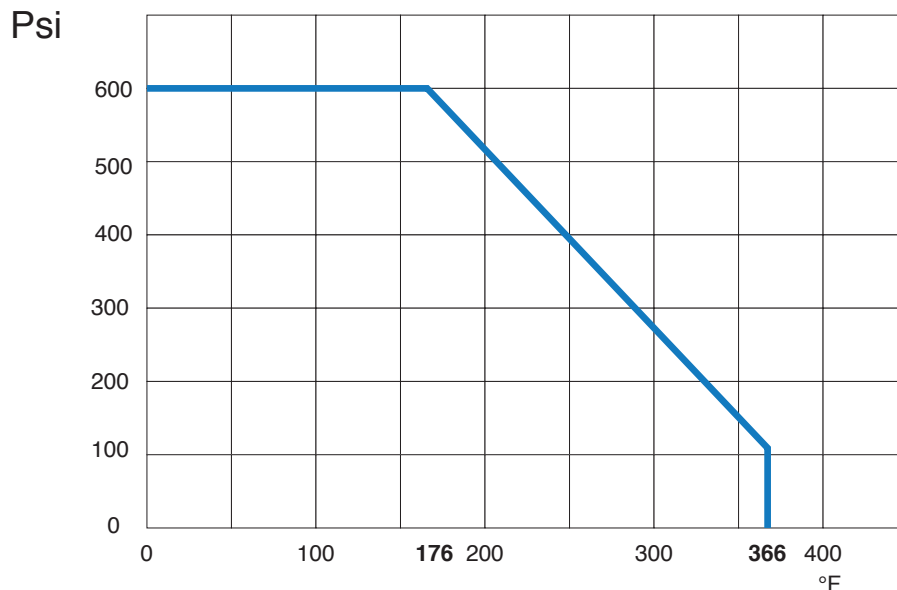
### ACTUATOR FEATURES

- Hard anodized extruded aluminum body
- Concentric spring sets
- Die cast aluminum end caps
- Solid steel barstock pinion (not casting)
- 0°-90° rotation adjustment cam
- 0°-90° rotation adjustment bolts
- POM piston guides
- Minimum air pressure rating: 80 psi
- Maximum air pressure rating: 116 psi
- Working temperature: -4°F - 302°F
- No lubrication maintenance required for the entire actuator lifetime
- 100% factory tested

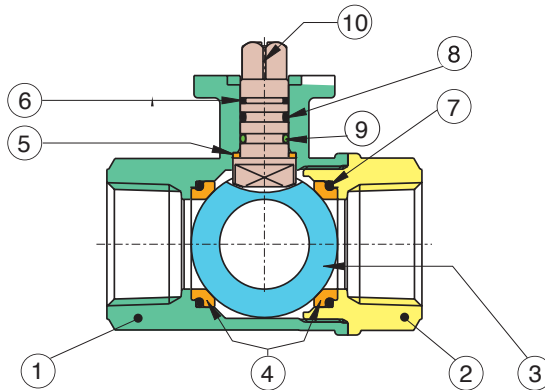
### VALVE FEATURES

- Brass
- Full Port, Sizes 1/4" to 2"
- ISO 5211 pad and square stem
- Pressure rating to 600 WOG
- Low torque design
- Double O-ring stem seal design for extended cycle life
- 100% electronically tested in the open and closed position@80 Psi

### PRESSURE - TEMPERATURE CHART FOR SERIES 253N

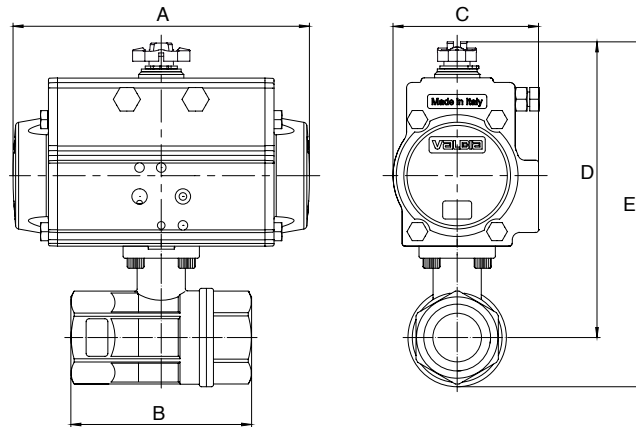


## BILL OF MATERIALS FOR 253N



N POS	PART NAME	MATERIAL	N PCS
1	BODY	BRASS C38000	1
2	END CONNECTION	BRASS C38000	1
3	BALL	SS316	1
4	BALL SEAT	P.T.F.E.	2
5	THRUST WASHER	P.T.F.E.	1
6	STEM SEAL	P.T.F.E.	1
7	O-RING	FKM (Viton®)	2
8	O-RING	EPDM	1
9	O-RING	FKM (Viton®)	1
10	STEM	SS316	1

## DIMENSIONS



### 8P0135 253N SS TRIM W/ **DOUBLE ACTING** ACTUATOR

Size	A	B	C	D	E	ACT. DA
1/4"	4.33	2.64	1.77	3.86	4.53	32
3/8"	4.33	2.64	1.77	3.86	4.53	32
1/2"	4.33	2.64	1.77	3.86	4.53	32
3/4"	4.33	2.99	1.77	3.94	4.72	32
1"	4.33	3.35	1.77	4.37	5.31	32
1-1/4"	4.33	3.66	1.77	4.49	5.67	32
1-1/2"	5.51	4.13	2.80	6.54	7.99	52
2"	5.51	4.80	2.80	6.89	8.70	52

### 8P0136 253N SS TRIM W/ **SPRING RETURN** ACTUATOR

Size	A	B	C	D	E	ACT. SR
1/4"	5.55	2.64	2.80	5.28	5.94	52
3/8"	5.55	2.64	2.80	5.28	5.94	52
1/2"	5.55	2.64	2.80	5.28	5.94	52
3/4"	5.55	2.99	2.80	5.35	6.14	52
1"	5.55	3.35	2.80	5.79	6.77	52
1-1/4"	5.55	3.66	2.80	5.94	7.09	52
1-1/2"	6.46	4.13	3.17	6.97	8.43	63
2"	6.46	4.80	3.17	7.32	9.13	63