



JOB NAME:	CONTRACTOR:
JOB LOCATION:	APPROVAL:
ENGINEER:	CONTRACTOR P.O.:
APPROVAL:	REPRESENTATIVE:

## 8P0129LF

**355NLF DIRECT MOUNT, 3-WAY LEAD FREE BRASS, STANDARD T-PORT BALL VALVE W/ DOUBLE ACTING ACTUATOR**

## 8P0131LF

**355NLF DIRECT MOUNT, 3-WAY LEAD FREE BRASS, STANDARD T-PORT BALL VALVE W/ SPRING RETURN ACTUATOR SIZES 1/4" TO 3"**

## 8P0130LF

**365NLF DIRECT MOUNT, 3-WAY LEAD FREE BRASS, STANDARD L-PORT BALL VALVE W/ DOUBLE ACTING ACTUATOR**

## 8P0132LF

**365NLF DIRECT MOUNT, 3-WAY LEAD FREE BRASS, STANDARD L-PORT BALL VALVE W/ SPRING RETURN ACTUATOR SIZES 1/4" TO 3"**

### SPECIFICATIONS

The 8P0129LF/8P0131LF 3-way T port and 8P0130LF/8P0132LF L port lead-free low torque brass ball valves using the light weight VB series technopolymer electric actuator offer the best in durability for commercial and light industrial applications. The 8P0129LF/8P0131LF lead-free series 3-way T port with its four-seated design can allow straight through flow, diversion, and complete shut-off capability. The 8P0130LF/8P0132LF L port is also four seated, allowing one to utilize any port as an entry. The valve is also approved under the NSF standard 61/372 for potable water use.

The Valbia pneumatic actuator comes with a hard-anodized aluminum body, and powder coated end caps. In addition, all Valbia pneumatic actuators are standardly furnished with elevated temperature seals to 302F. The patented side loaded limit stops never enter the piston chamber eliminating extra possible leak paths.

### ACTUATOR FEATURES

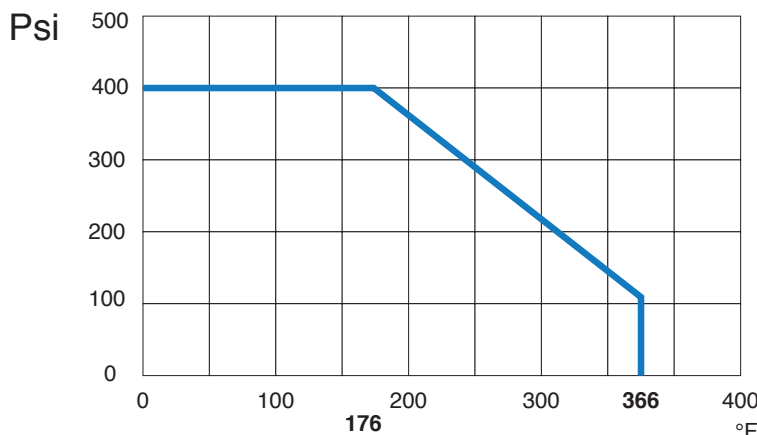
- Hard anodized extruded aluminum body
- Concentric spring sets
- Die cast aluminum end caps
- Solid steel barstock pinion (not casting)
- 0°-90° rotation adjustment cam
- 0°-90° rotation adjustment bolts
- POM piston guides
- Minimum air pressure rating: 80 psi
- Maximum air pressure rating: 116 psi
- Working temperature: -4°F - 302°F
- No lubrication maintenance required for the entire actuator lifetime
- 100% factory tested

### VALVE FEATURES

- Lead-Free Brass - NSF 61/372
- Standard Port, Sizes 1/4" to 3"
- ISO 5211 pad and square stem
- Pressure rating to 400 WOG
- Temperature range -4°F to 366°F
- Four (4) seat design for sealing between pressured ports
- Blow-out proof stem, chrome plated brass ball
- Low torque design with back up O-ring seats
- Double O-ring stem seal design for extended cycle life
- 100% electronically tested in the open and closed position @80 Psi

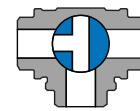


### PRESSURE - TEMPERATURE CHART FOR SERIES 355NLF & 365NLF

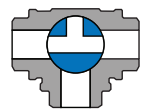


### FLOW PATH VARIATIONS

#### T-PORT FLOW PATH A

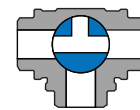


POSITION 1

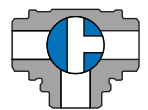


POSITION 2

#### T-PORT FLOW PATH B

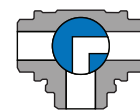


POSITION 1

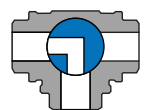


POSITION 2

#### L-PORT FLOW PATH A

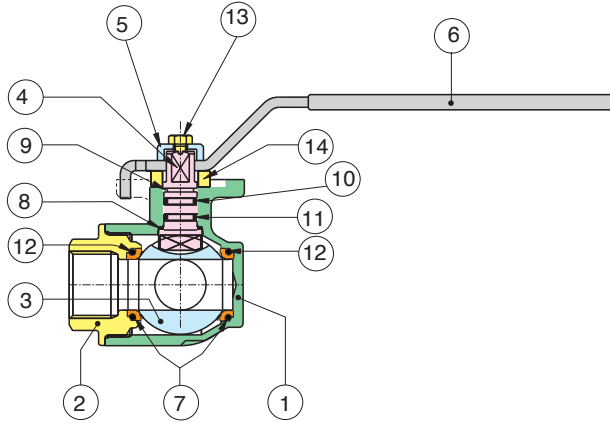


POSITION 1



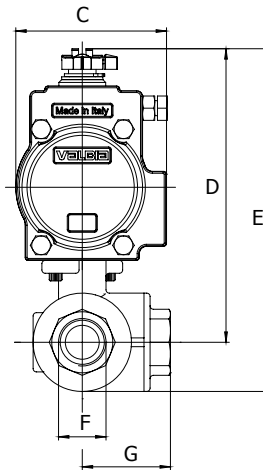
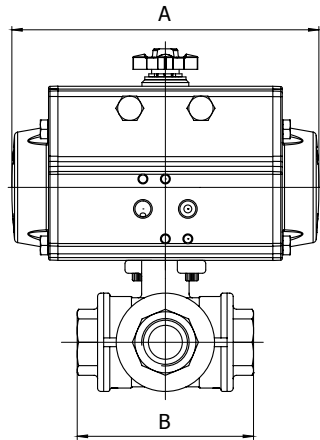
POSITION 2

## BILL OF MATERIALS FOR 355NLF & 365NLF



N POS	PART NAME	MATERIAL	N PCS
1	BODY	LF BRASS C28500	1
2	END CONNECTION	LF BRASS C28500	1
3	END CONNECTION	LF BRASS C28500	1
4	BALL	LF BRASS C28500	1
5	BALL SEAT	P.T.F.E.	3
6	BALL SEAT	P.T.F.E.	1
7	O-RING	FKM (Viton)	4
8	STEM	LF BRASS C28500	1
9	BUSH	BRASS C38500	1
10	WASHER	NYLON (PA6)	1
11	THRUST WASHER	P.T.F.E.	1
12	O-RING	EPDM	1
13	O-RING	FKM (Viton)	1
14	THRUST WASHER	P.T.F.E.	1
15	SCREW	STEEL CL 8.8	1
16	HANDLE	STEEL DD11	1

## DIMENSIONS



**8P0129LF**  
**8P0130LF**

355NLF W/ **DOUBLE ACTING** ACTUATOR  
365NLF W/ **DOUBLE ACTING** ACTUATOR

**8P0131LF**  
**8P0132LF**

355NLF W/ **SPRING RETURN** ACTUATOR  
365NLF W/ **SPRING RETURN** ACTUATOR

Size	A	B	C	D	E	F	G	ACT. DA
1/4"	4.33	2.64	1.77	3.76	4.43	0.39	1.32	32
3/8"	4.33	2.64	1.77	3.76	4.43	0.43	1.32	32
1/2"	4.33	2.87	1.77	3.76	4.43	0.43	1.44	32
3/4"	4.33	3.19	1.77	3.85	4.62	0.59	1.60	32
1"	5.55	3.74	2.80	5.63	6.58	0.79	1.87	52
1-1/4"	5.55	4.39	2.80	5.85	7.03	0.98	2.20	52
1-1/2"	5.55	4.86	2.80	6.34	7.76	1.26	2.43	52
2"	6.46	5.73	3.17	7.35	9.04	1.57	2.87	63
2-1/2"	6.46	6.93	3.17	7.80	10.00	1.95	3.47	63
3"	6.46	7.08	3.17	7.80	10.02	1.95	3.54	63

Size	A	B	C	D	E	F	G	ACT. SR
1/4"	5.55	2.64	2.80	5.20	5.87	0.39	1.32	52
3/8"	5.55	2.64	2.80	5.20	5.87	0.43	1.32	52
1/2"	5.55	2.87	2.80	5.20	5.87	0.43	1.44	52
3/4"	5.55	3.19	2.80	5.29	6.01	0.59	1.60	52
1"	5.55	3.74	2.80	5.63	6.57	0.79	1.87	52
1-1/4"	5.55	4.39	2.80	5.85	7.03	0.98	2.20	52
1-1/2"	6.46	4.86	3.17	6.79	8.21	1.26	2.43	63
2"	9.47	5.73	4.17	8.61	10.30	1.57	2.87	85
2-1/2"	9.47	6.93	4.17	9.06	11.25	1.95	3.47	85
3"	9.47	7.08	4.17	9.06	11.29	1.95	3.54	85