



JOB NAME:	CONTRACTOR:
JOB LOCATION:	APPROVAL:
ENGINEER:	CONTRACTOR P.O.:
APPROVAL:	REPRESENTATIVE:

8P0129

355N DIRECT MOUNT, 3-WAY BRASS, T-PORT, FULL PORT BALL VALVE W/ DOUBLE ACTING ACTUATOR

SIZES 1/4" TO 3"

8P0131

355N DIRECT MOUNT, 3-WAY BRASS, T-PORT, FULL PORT BALL VALVE W/ SPRING RETURN ACTUATOR

SIZES 1/4" TO 3"

SPECIFICATIONS

The 8P0129/8P0131 series features the 355N in a 3-way forged brass, standard port ball valve, with four seats, and a T ported configuration. The 355N valve is also an ISO 5211 direct mount style, with four seats. The four seats allow one to use any port as an entry port and offers an optional straight through flow and shut-off capabilities. The 355N also is a low torque design with O-ring backed seats and has dual O-ring stem seals for high cyclic applications. The Valbia pneumatic actuator comes with a hard-anodized aluminum body, and powder coated end caps. In addition, all Valbia pneumatic actuators are standardly furnished with elevated temperature seals to 302F. The patented side loaded limit stops never enter the piston chamber eliminating extra possible leak paths.

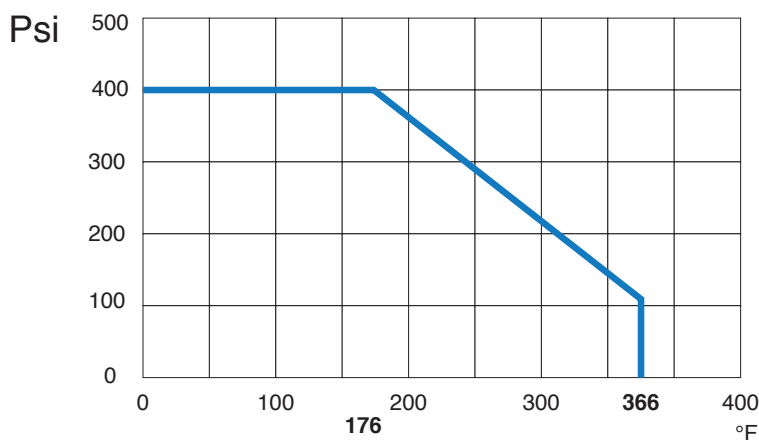
ACTUATOR FEATURES

- Hard anodized extruded aluminum body
- Concentric spring sets
- Die cast aluminum end caps
- Solid steel barstock pinion (not casting)
- 0°-90° rotation adjustment cam
- 0°-90° rotation adjustment bolts
- POM piston guides
- Minimum air pressure rating: 80 psi
- Maximum air pressure rating: 116 psi
- Working temperature: -4°F - 302°F
- No lubrication maintenance required for the entire actuator lifetime
- 100% factory tested

VALVE FEATURES

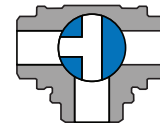
- Brass
- Full Port, Sizes 1/4" to 3"
- ISO 5211 pad and square stem
- Pressure rating to 400 WOG
- Temperature range -4°F to 366°F
- Four (4) seat design for sealing between pressured ports
- Blow-out proof stem, chrome plated brass ball
- Low torque design with back up o-ring seats
- Double o-ring stem seal design for extended cycle life
- 100% electronically tested in the open and closed position @80 Psi

PRESSURE - TEMPERATURE CHART FOR SERIES 355N

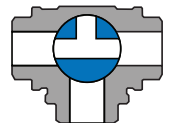


FLOW PATH VARIATIONS

T-PORT FLOW PATH A

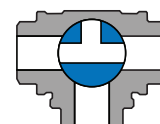


POSITION 1

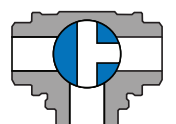


POSITION 2

T-PORT FLOW PATH B

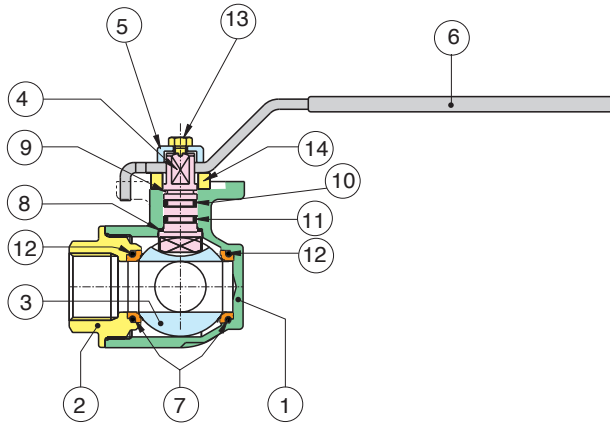


POSITION 1



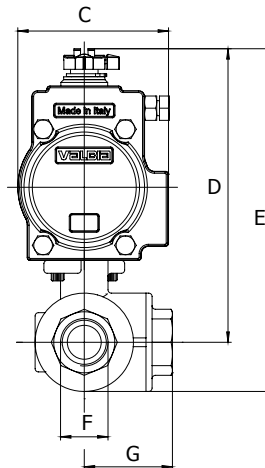
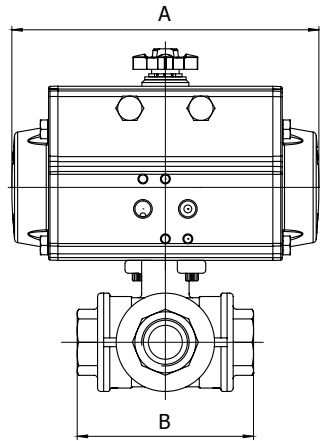
POSITION 2

BILL OF MATERIALS FOR 355N



N POS	PART NAME	MATERIAL	N PCS
1	BODY	BRASS C38000	1
2	END CONNECTION	BRASS C38000	3
3	BALL	BRASS C38000	1
4	STEM	BRASS C3800	1
5	BUSHING	BRASS C3800	1
6	HANDLE	Fe DD 11 UNI EN 10111	1
7	BALL SEAT	P.T.F.E.	4
8	THRUST WASHER	P.T.F.E.	1
9	THRUST WASHER	P.T.F.E.	1
10	O-RING	EPDM	1
11	O-RING	FKM (VITON®)	1
12	O-RING BODY	FKM (VITON®)	4
13	SCREW	STEEL CL 8.8	1
14	WASHER	NYLON (PA6)	1

DIMENSIONS



8P0129

355N W/ **DOUBLE ACTING** ACTUATOR

Size	A	B	C	D	E	F	G	ACT. DA
1/4"	4.33	2.64	1.77	3.76	4.43	0.39	1.32	32
3/8"	4.33	2.64	1.77	3.76	4.43	0.43	1.32	32
1/2"	4.33	2.87	1.77	3.76	4.43	0.43	1.44	32
3/4"	4.33	3.19	1.77	3.85	4.62	0.59	1.60	32
1"	5.55	3.74	2.80	5.63	6.58	0.79	1.87	52
1-1/4"	5.55	4.39	2.80	5.85	7.03	0.98	2.20	52
1-1/2"	5.55	4.86	2.80	6.34	7.76	1.26	2.43	52
2"	6.46	5.73	3.17	7.35	9.04	1.57	2.87	63
2-1/2"	6.46	6.93	3.17	7.80	10.00	1.95	3.47	63
3"	6.46	7.08	3.17	7.80	10.02	1.95	3.54	63

8P0131

355N W/ **SPRING RETURN** ACTUATOR

Size	A	B	C	D	E	F	G	ACT. SR
1/4"	5.55	2.64	2.80	5.20	5.87	0.39	1.32	52
3/8"	5.55	2.64	2.80	5.20	5.87	0.43	1.32	52
1/2"	5.55	2.87	2.80	5.20	5.87	0.43	1.44	52
3/4"	5.55	3.19	2.80	5.29	6.01	0.59	1.60	52
1"	5.55	3.74	2.80	5.63	6.57	0.79	1.87	52
1-1/4"	5.55	4.39	2.80	5.85	7.03	0.98	2.20	52
1-1/2"	6.46	4.86	3.17	6.79	8.21	1.26	2.43	63
2"	9.47	5.73	4.17	8.61	10.30	1.57	2.87	85
2-1/2"	9.47	6.93	4.17	9.06	11.25	1.95	3.47	85
3"	9.47	7.08	4.17	9.06	11.29	1.95	3.54	85