



JOB NAME:	CONTRACTOR:
JOB LOCATION:	APPROVAL:
ENGINEER:	CONTRACTOR P.O.:
APPROVAL:	REPRESENTATIVE:

MEBFVSTCE

BFVSTCE STAINLESS STEEL BUTTERFLY VALVE WITH SANITARY TRI-CLAMP ENDS AND EPDM SEAT WITH VALBIA METAL ELECTRIC ACTUATOR

SIZES 1/2" TO 8"

*** E = EPDM / S = SILICONE / V = VITON**

*001 12V AC/DC	*002 24V AC/DC	*003 100-240V AC
01 BATTERY BACKUP	*02* POSITIONER	*04* BATTERY BACKUP W POSITIONER

SPECIFICATIONS

The MEBFVSTCE metal electric actuated package features the BFVSTCE sanitary butterfly valve with sanitary tri-clamp ends and an EPDM seat.

The valve has a 3-A surface finish and meets all related FDA and USDA standards, The disc also has a mirror finish for prevention of particles and obstructions.

The Valbia VBM series metal actuator comes with a NEMA 4-4X rating, 2 auxiliary limit switches, a heater and a thermostat, torque limiter and dual voltages. The actuator has a dual ISO 5211 mounting patterns, a 75% duty cycle, conduit connections and is CSA/UL certified.

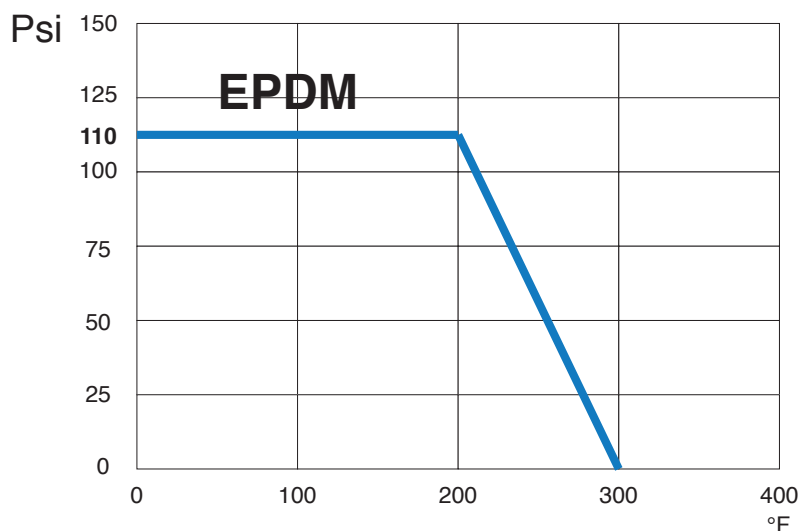
ACTUATOR FEATURES

- Dual Voltages
- CSA, UL certified
- 24V AC/DC and 100-240V AC Models Available
- ISO 5211 dual patterns
- 75% Duty Cycle
- Anti-condensation heater, (when red wire is connected to power)
- High-Strength, Die Cast Aluminum Powder Coated Housing
- Temperature Range -4°F to 131°F
- NEMA 4-4X Housing
- Two Auxiliary Switches Standard
- Torque limiter standard
- 1/2" conduit connection

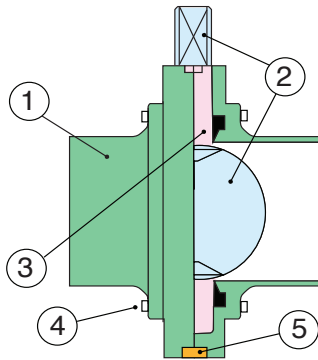
VALVE FEATURES

- AISI 316 L Stainless Steel
- EPDM seat standard
- Silicone or FKM (Viton) seats optional
- Full port, sizes 1/2" to 8"
- Sanitary Tri-Clamp Ends
- Surface finish meets 3-A, FDA & USDA standards
- 13-position, 304SS spring loaded lever lock handle 1/2" to 6"
- 110 PSI @ 200°F

PRESSURE - TEMPERATURE CHART FOR SERIES BFVSTCE

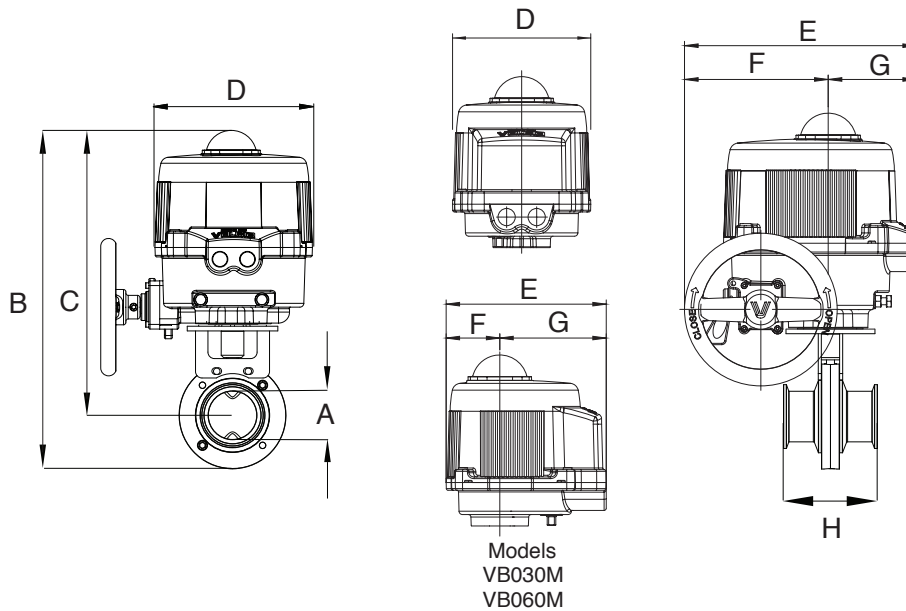


BILL OF MATERIALS FOR BfvSTCE



N POS	PART NAME	MATERIAL	N PCS
1	BODY HALF	316L	2
2	DISC	316L	1
3	SEAT	EPDM	1
4	BODY BOLTS	304SS	4
5	BODY CAP	BUNA-N	1

DIMENSIONS

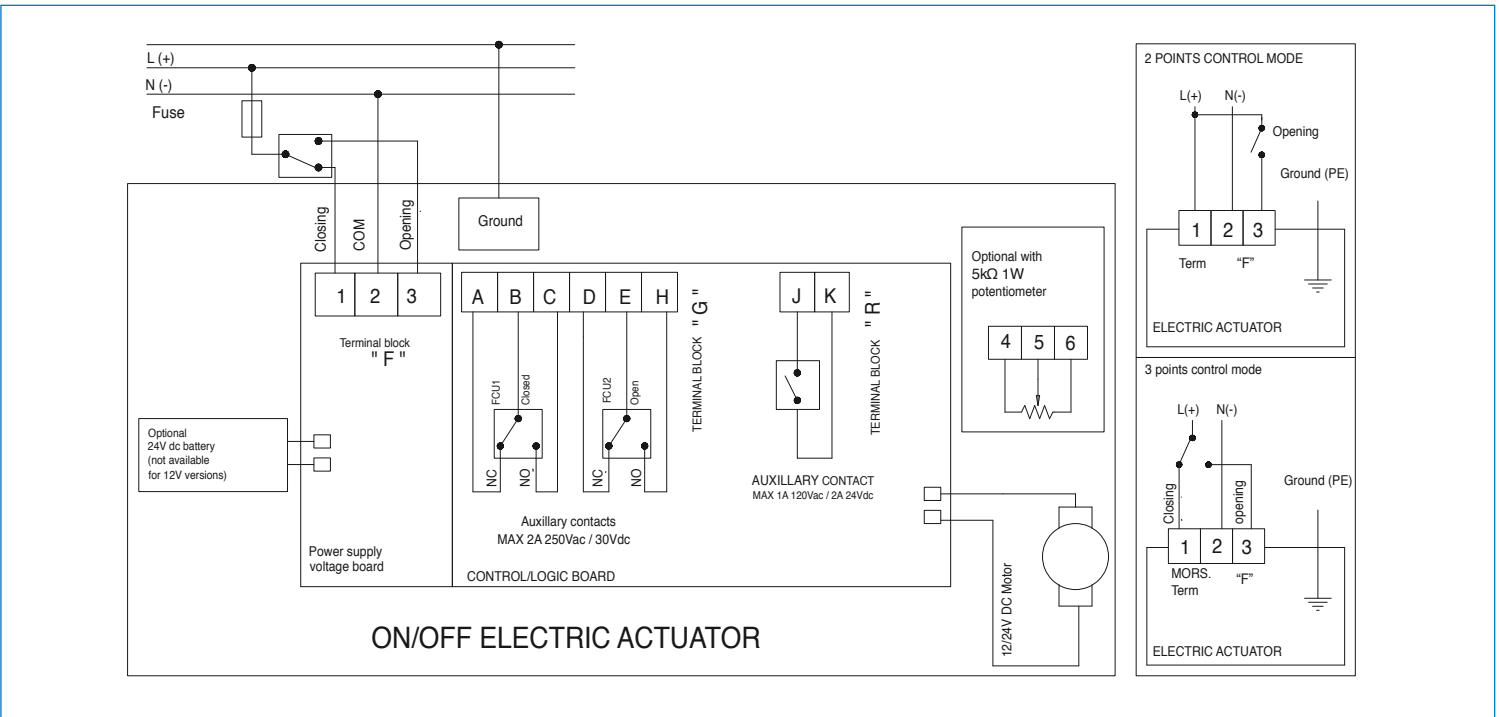


Size	A	B	C	D	E	F	G	H	Act.
1/2"	11.93	10.38	6.34	3.00	7.36	2.48	4.88	3.50	VB030M
3/4"	11.93	10.38	6.34	3.00	7.36	2.48	4.88	3.50	VB030M
1"	11.84	10.29	6.34	0.87	7.36	2.48	4.88	3.50	VB030M
1-1/2"	12.18	10.51	6.34	1.37	7.36	2.48	4.88	3.50	VB030M
2"	13.46	11.40	6.34	1.87	7.36	2.48	4.88	3.74	VB030M
2-1/2"	13.74	11.54	6.34	2.37	7.36	2.48	4.88	3.82	VB030M
3"	15.08	12.62	6.93	2.84	7.76	2.48	5.28	4.06	VB060M
4"	16.84	13.75	6.93	3.84	7.76	2.48	5.28	4.78	VB060M
6"	19.88	15.78	10.63	5.84	10.47	6.50	3.98	6.00	VB110M *
8"	22.90	17.29	10.63	7.93	10.47	6.50	3.98	6.56	VB110M *

* Includes Manual Handwheel

ON/OFF WIRING DIAGRAM - VB030M - VB110M

12V AC/DC, 24V AC/DC & 100-240VAC



POSITIONER WIRING DIAGRAM - VB030M -VB110M

12V AC/DC, 24V AC/DC & 100-240VAC

