



JOB NAME:	CONTRACTOR:
JOB LOCATION:	APPROVAL:
ENGINEER:	CONTRACTOR P.O.:
APPROVAL:	REPRESENTATIVE:

ME97T150-00*

97T150 3-WAY T-PORT STAINLESS STEEL, ANSI 150 FLANGED, BLOCK BODY, FULL PORT BALL VALVE WITH VALBIA METAL ELECTRIC ACTUATOR

SIZES 1/2" TO 6"

ME97L150-00*

97L150 3-WAY L-PORT STAINLESS STEEL, ANSI 150 FLANGED, BLOCK BODY, FULL PORT BALL VALVE WITH VALBIA METAL ELECTRIC ACTUATOR

SIZES 1/2" TO 6"

*001 12V AC/DC	*002 24V AC/DC	*003 100-240V AC
01 BATTERY BACKUP	*02* POSITIONER	*04* BATTERY BACKUP W POSITIONER

SPECIFICATIONS

ME97T150 T port and ME97L150 L port packages feature the 97T150 and 97L150 block style, full port, ANSI Class 150 stainless steel ball valves, with RTFE seats, multiple chevron style stem packing, and a grounded ball & stem. In addition the 97T150/97L150 are ISO5211 with a square stem for direct mount capability.

The Valbia VBM series metal actuator housing is made from die cast aluminum, and standardly features dual motors, two extra limit switches, a heater and thermostat, a torque limiter, dual ISO patterns, female star drive, a high-profile dome indicator, 1/2" conduit connections, and a 75% duty cycle motor. The actuator is NEMA 4 rated, and options include positioning boards, battery backups, or a combination of the two.

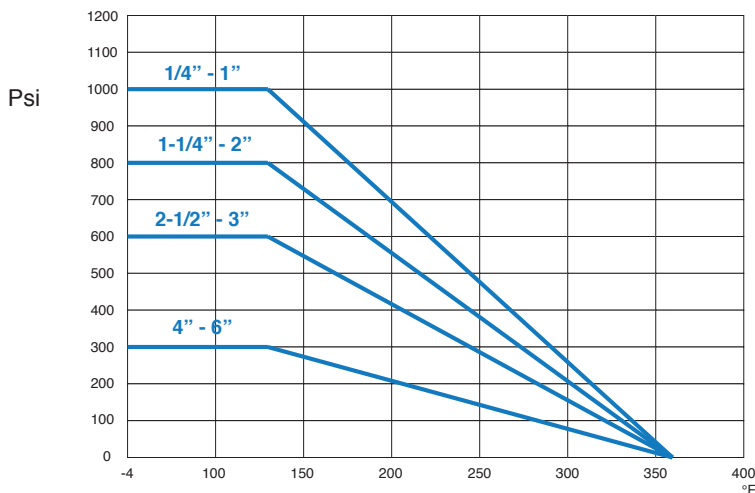
ACTUATOR FEATURES

- Dual Voltages
- 24V AC/DC and 100-240V AC
- ISO 5211 dual patterns
- 75% Duty Cycle
- High-Strength, Die Cast Aluminum Powder Coated Housing
- Temperature Range -4°F to 131°F
- NEMA 4 Housing
- Two Auxiliary Switches Standard
- Torque limiter standard
- 1/2" Conduit connections

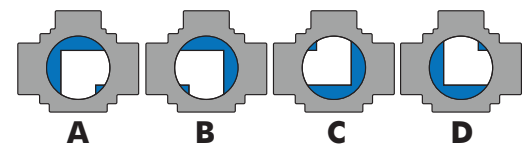
VALVE FEATURES

- Stainless Steel, ANSI class 150 flanged
- Full port, sizes 1/2" to 6"
- Pressure rating 1/4" to 1" - 1000 psi, 1-1/4" to 2" - 800 psi, 2-1/2" to 3" - 600 psi, 4" to 6" - 300 psi
- Temperature range -20°F to 450°F
- Blow-out proof stem
- R.P.T.F.E. seats & seals
- Grounded Ball & Stem
- Multiple Chevron style stem packing
- 100% tested
- All stainless steel external components
- ISO 5211 mounting pad with square stem

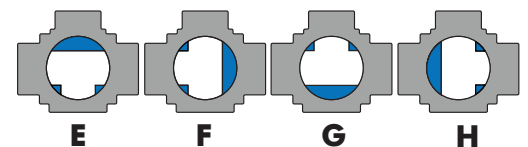
PRESSURE - TEMPERATURE CHART FOR SERIES 97T150 & 97L150



PORT CONFIGURATIONS

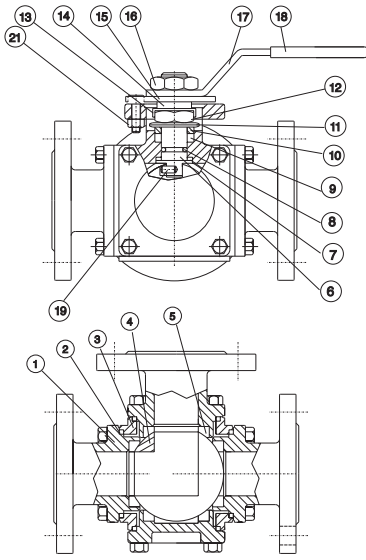


L-PORT



T-PORT

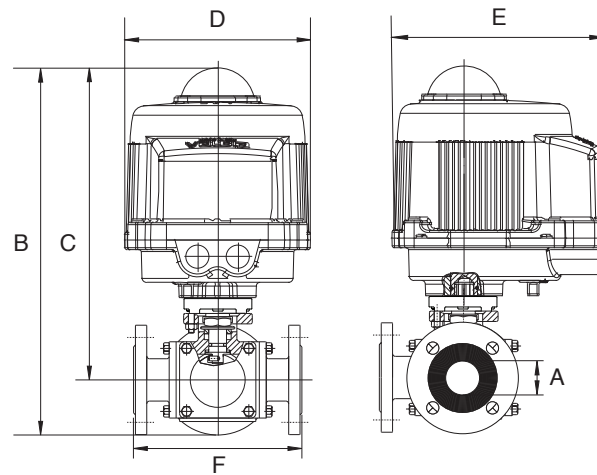
BILL OF MATERIALS FOR 97T150 & 97L150



N POS	PART NAME	MATERIAL	N PCS
1	FLANGED ENDS	A351 CF8M	3
2	GASKET	P.T.F.E.	4
3	BODY	A351 CF8M	1
4	BALL	SS 316	1
5	BALL SEATS	P.T.F.E.	4
6	THRUST WASHER	R.P.T.F.E.	1
7	STEM	SS 316	1
8	O-RING	FKM (Viton®)	1
9	STEM PACKING	P.T.F.E.	1
10	GLAND	SS 304	2
11	DISC WASHER	SS 301	1

N POS	PART NAME	MATERIAL	N PCS
12	STEM NUT	SS 304	1
13	NUT STOP	SS 304	1
14	SPACE WASHER	SS 304	1
15	STOPPER PLATE	SS 304	1
16	HANDLE NUT	SS 304	1
17	HANDLE	SS 304	1
18	HANDLE SLEEVE	VINYL	1
19	INSERT PIN	SS 304	1
20	STOP PIN	SS 316	1
21	STOP PIN NUT	SS 304	1
22	BOLTS	SS 304	8

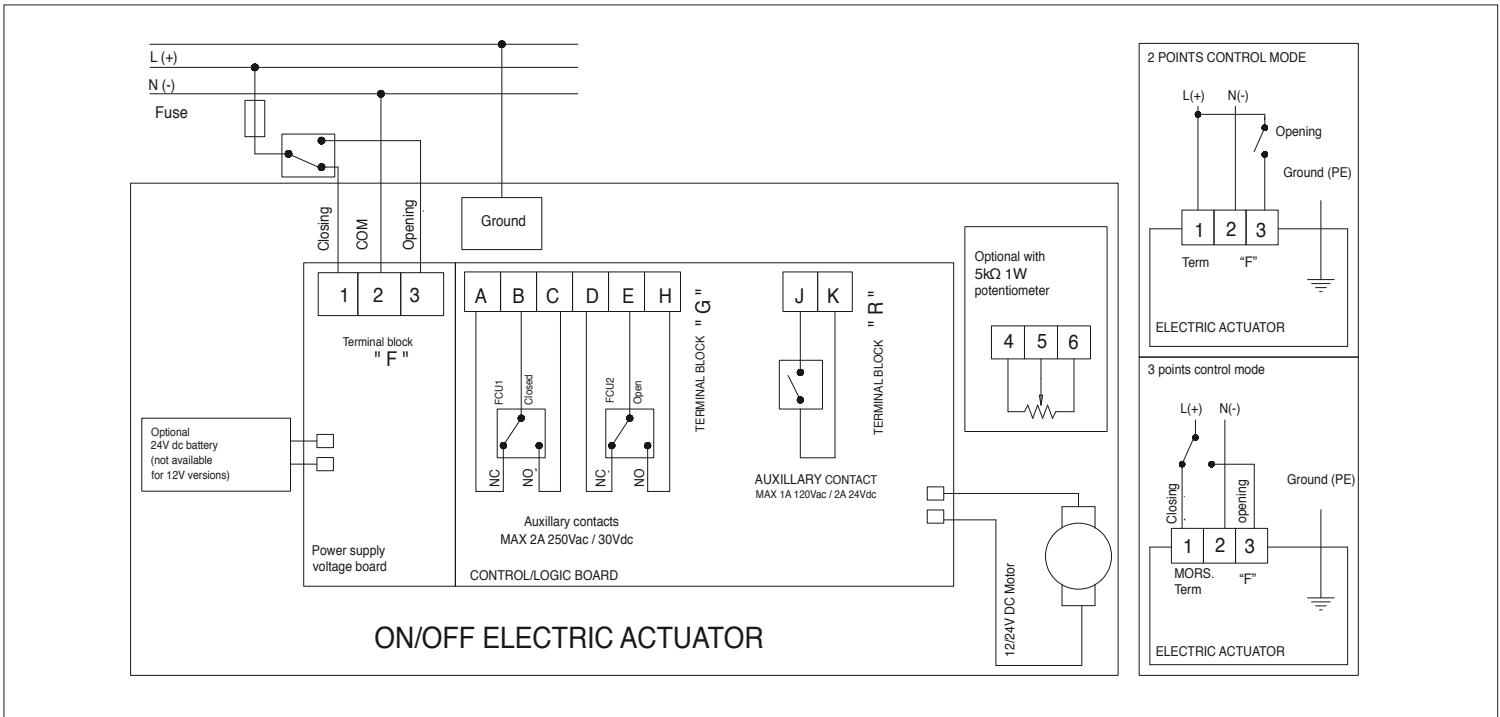
DIMENSIONS



Size	1/2"	3/4"	1"	1-1/2"	2"	2-1/2"	3"	4"	6"
A	0.59	0.79	0.98	1.50	1.97	2.44	2.99	3.78	5.91
B	20.99	22.28	25.12	28.73	31.63	35.70	36.14	41.64	46.70
C	13.81	14.40	16.14	18.34	19.68	21.53	21.73	24.23	26.53
D	6.34	6.34	6.93	10.63	10.63	10.83	10.83	10.83	10.83
E	7.36	7.36	7.76	10.47	10.47	10.98	10.98	10.98	10.98
F	5.98	6.57	7.48	8.66	9.96	11.81	12.01	14.51	16.81
Act.	VB030M	VB030M	VB060M	VB110M	VB110M	VB270M	VB270M	VB350M	VB350M

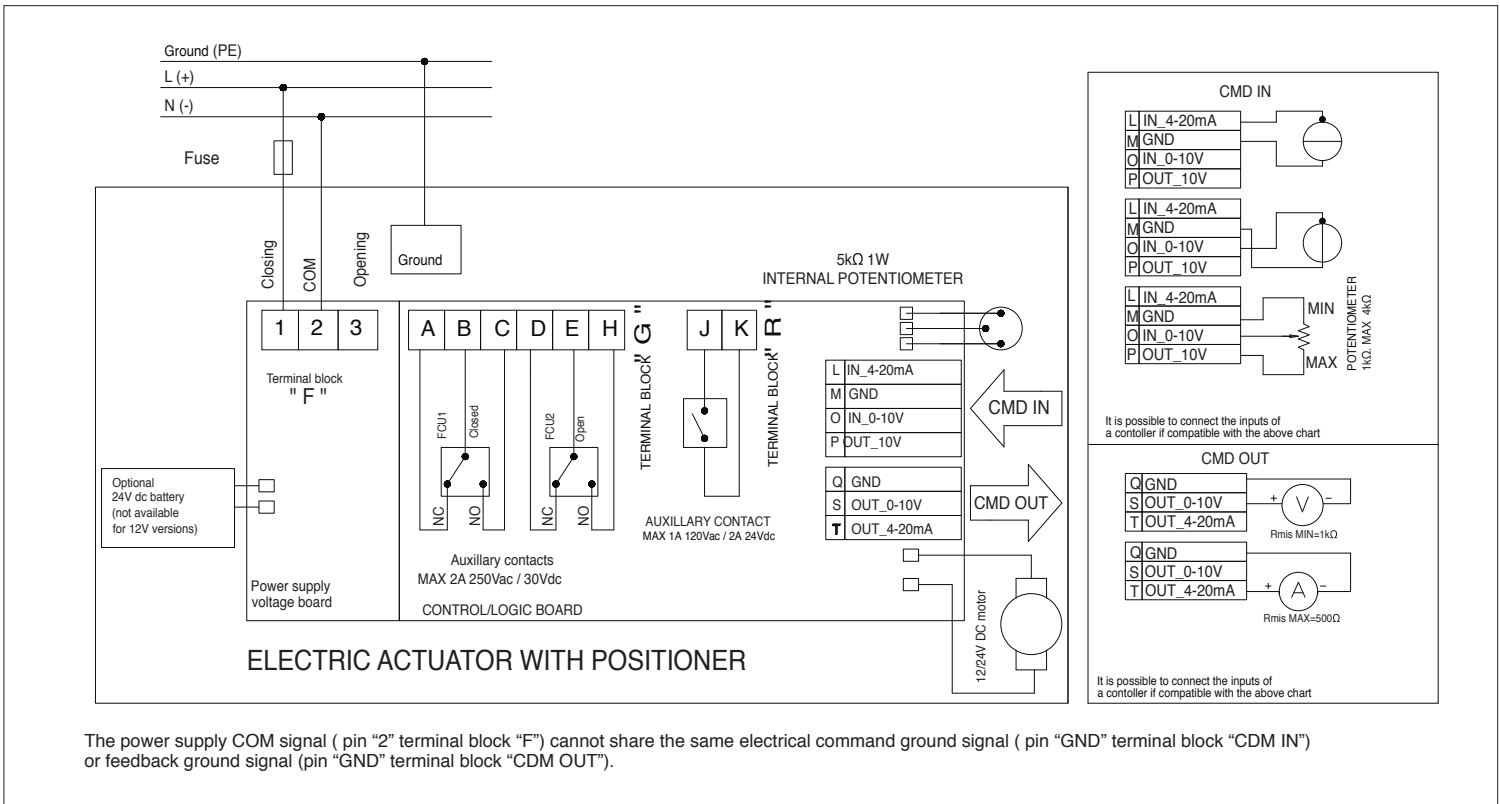
ON/OFF WIRING DIAGRAM - VB030M -VB190M

12V AC/DC, 24V AC/DC & 100-240VAC



POSITIONER WIRING DIAGRAM - VB030M -VB190M

12V AC/DC, 24V AC/DC & 100-240VAC



The power supply COM signal (pin "2" terminal block "F") cannot share the same electrical command ground signal (pin "GND" terminal block "CDM IN") or feedback ground signal (pin "GND" terminal block "CDM OUT").