



JOB NAME:	CONTRACTOR:
JOB LOCATION:	APPROVAL:
ENGINEER:	CONTRACTOR P.O.:
APPROVAL:	REPRESENTATIVE:

ME97T
T-PORT

ME97L
L-PORT

ME97X
DOUBLE L-PORT

97 SERIES 3-WAY STAINLESS STEEL, BLOCK BODY, FULL PORT BALL VALVE WITH VALBIA METAL ELECTRIC ACTUATOR

SIZES 1/2" TO 4"

*001	12V AC/DC	*002	24V AC/DC	*003	100-240V AC
01	BATTERY BACKUP	*02*	POSITIONER	*04*	BATTERY BACKUP W POSITIONER

SPECIFICATIONS

The Bonomi ME97T, ME97L and ME97X series electric packages feature a block style full port, stainless steel, direct mount style, ball valve, with versatile T port, L port, and double L port configurations.

The Valbia electric VBM metal housing actuator fits directly over the 97-series square stem and ISO 5211 pad. The actuator also is standardly furnished with dual voltages, two extra limit switches, torque limiter, manual override, a dome position indicator, 1/2" conduit connections, 75% duty cycle motor, contained in a NEMA 4 cast aluminum powder coated housing.

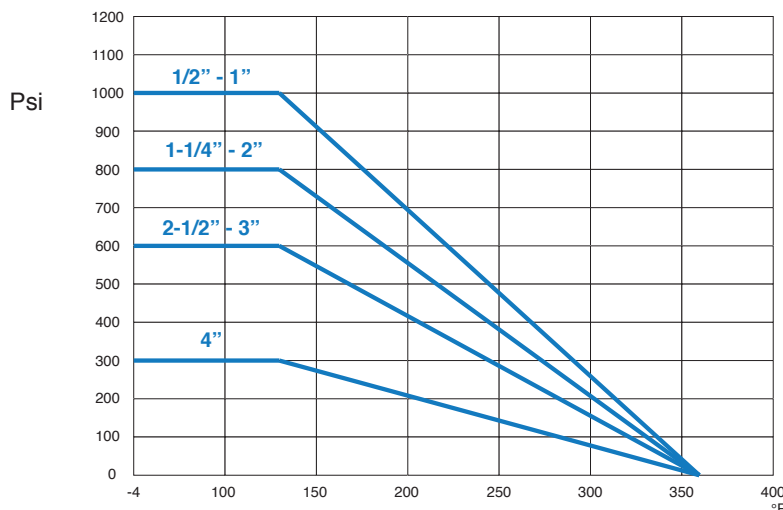
ACTUATOR FEATURES

- Dual Voltages
- 24V AC/DC and 100-240V AC
- ISO 5211 dual patterns
- 75% Duty Cycle
- High-Strength, Die Cast Aluminum Powder Coated Housing
- Temperature Range -4°F to 131°F
- NEMA 4 Housing
- Two Auxiliary Switches Standard
- Torque limiter standard
- 1/2" Conduit connections

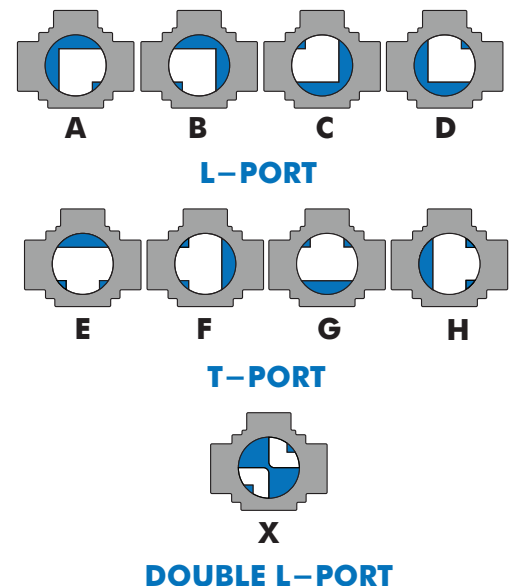
VALVE FEATURES

- Stainless Steel CF8M block body
- Full port, sizes 1/2" to 4"
- Pressure rating 1/2" to 1" - 1000 psi, 1-1/4" to 2" - 800 psi, 2-1/2" to 3" - 600 psi, 4" - 300 psi
- Temperature range -20°F to 450°F
- Blow-out proof stem
- R.P.T.F.E. seats & seals
- Grounded Ball & Stem
- 100% tested
- All stainless steel external components
- ISO 5211 mounting pad with square stem

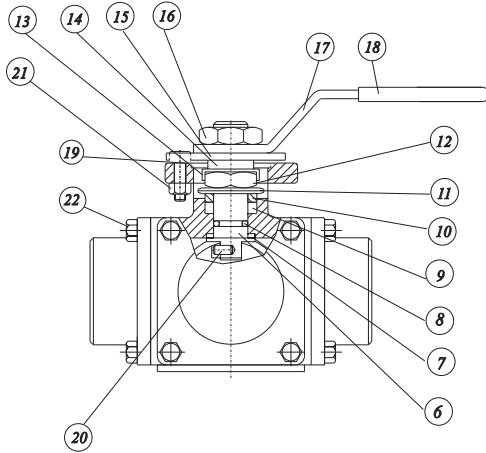
PRESSURE - TEMPERATURE CHART FOR SERIES 97T/97L/97X



PORT CONFIGURATIONS



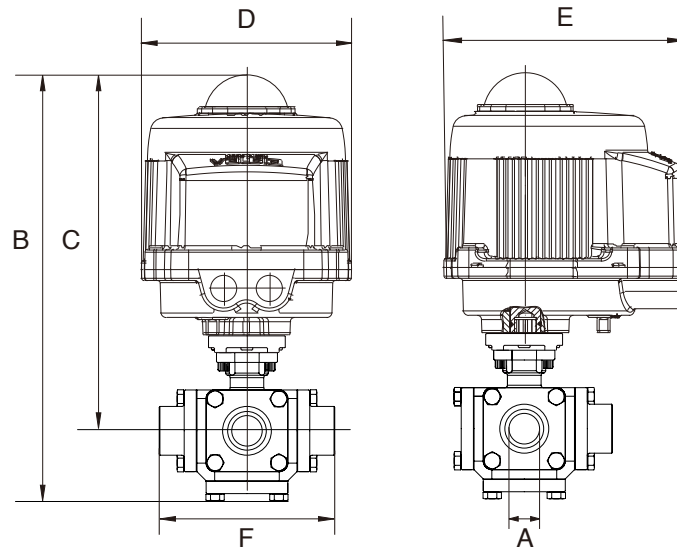
BILL OF MATERIALS FOR 97T/97L/97X



N POS	PART NAME	MATERIAL	N PCS
1	END CAPS	A351 CF8M	3
2	GASKET	P.T.F.E.	4
3	BODY	A351 CF8M	1
4	BALL	SS 316	1
5	BALL SEATS	Carbon Filled P.T.F.E.	4
6	THRUST WASHER	R.P.T.F.E.	1
7	STEM	SS 316	1
8	O-RING	FKM (Viton®)	1
9	STEM PACKING	P.T.F.E.	1
10	GLAND	SS 304	2
11	DISC WASHER	SS 301	1

N POS	PART NAME	MATERIAL	N PCS
12	STEM NUT	SS 304	1
13	NUT STOP	SS 304	1
14	SPACE WASHER	SS 304	1
15	STOPPER PLATE	SS 304	1
16	HANDLE NUT	SS 304	1
17	HANDLE	SS 304	1
18	HANDLE SLEEVE	VINYL	1
19	INSERT PIN	SS 304	1
20	STOP PIN	SS 316	1
21	STOP PIN NUT	SS 304	1
22	BOLTS	SS 304	8

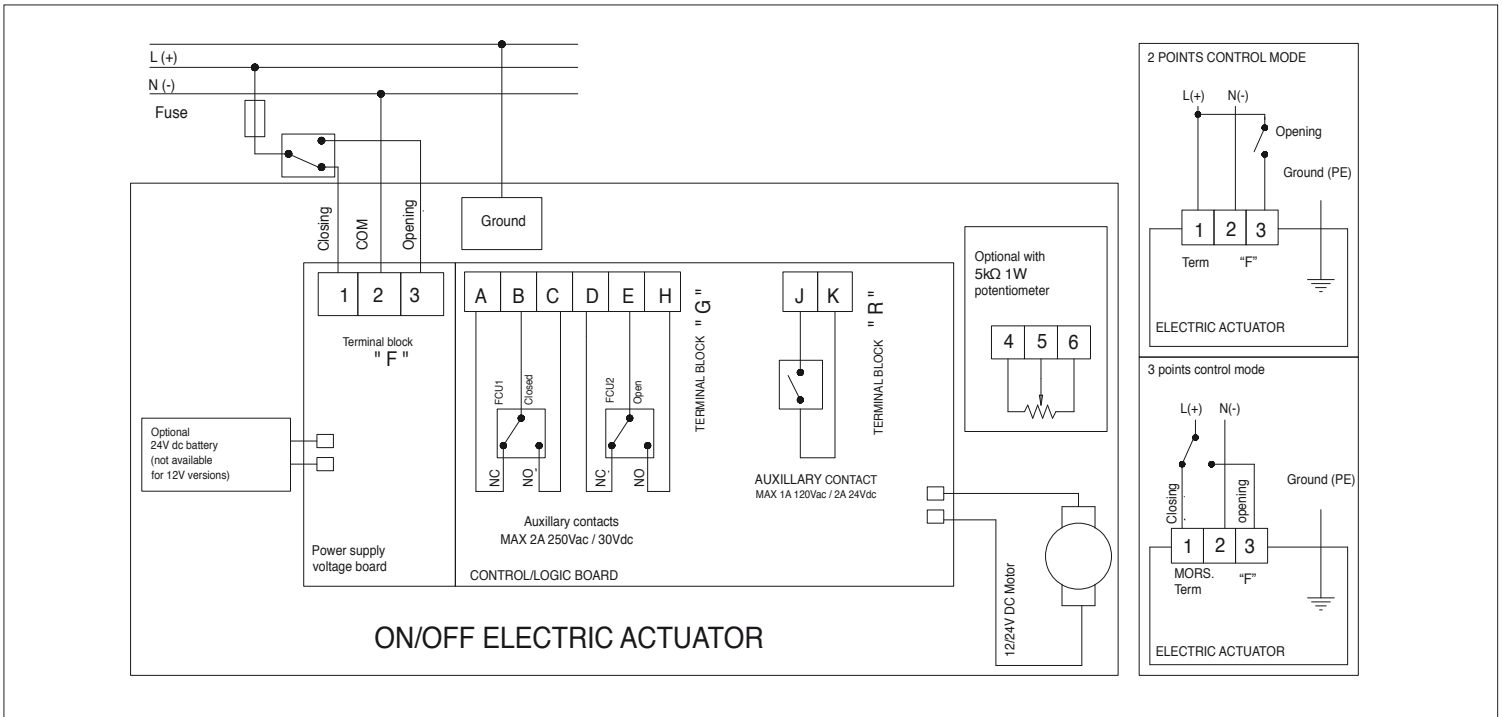
DIMENSIONS



Size	1/2"	3/4"	1"	1-1/4"	1-1/2"	2"	2-1/2"	3"	4"
A	0.59	0.79	0.98	1.25	1.50	1.97	2.44	2.99	3.78
B	9.55	9.96	11.18	11.75	13.41	13.67	14.4	14.95	16.17
C	10.93	11.74	13.41	14.1	16.25	16.83	18.21	19.08	21.34
D	6.34	6.34	6.93	6.93	10.63	10.63	10.63	10.83	10.83
E	7.36	7.36	7.76	7.76	10.47	10.47	10.47	10.98	10.98
F	3.62	4.33	5.66	5.78	6.45	7.24	8.97	10.43	12.48
Act.	VB030M	VB030M	VB060M	VB060M	VB110M	VB190M	VB190M	VB270M	VB350M

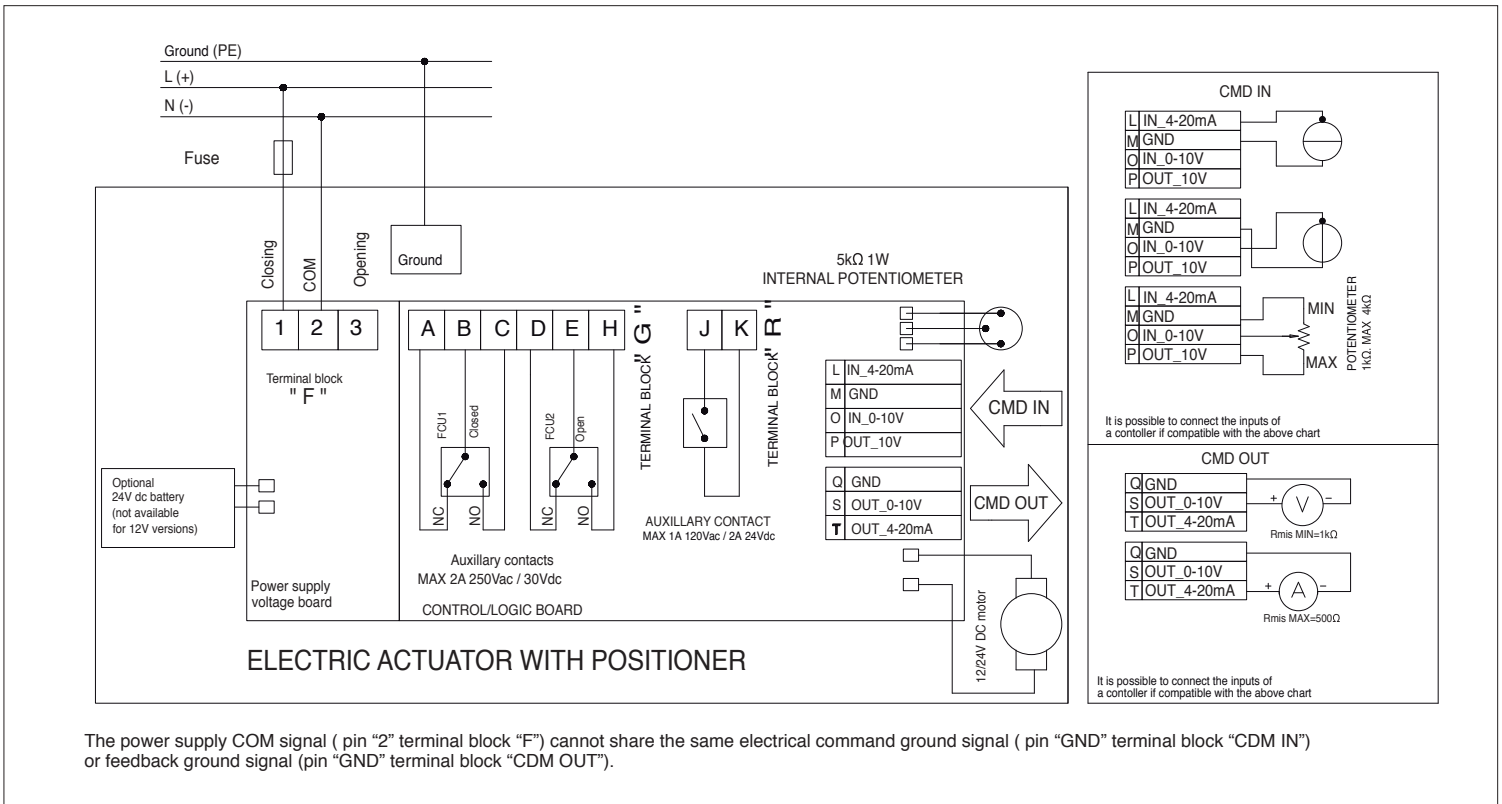
ON/OFF WIRING DIAGRAM - VB030M -VB190M

12V AC/DC, 24V AC/DC & 100-240VAC



POSITIONER WIRING DIAGRAM - VB030M -VB190M

12V AC/DC, 24V AC/DC & 100-240VAC



The power supply COM signal (pin "2" terminal block "F") cannot share the same electrical command ground signal (pin "GND" terminal block "CDM IN") or feedback ground signal (pin "GND" terminal block "CDM OUT").