



JOB NAME:	CONTRACTOR:
JOB LOCATION:	APPROVAL:
ENGINEER:	CONTRACTOR P.O.:
APPROVAL:	REPRESENTATIVE:

M8E763101-00*

763101 2-WAY STAINLESS STEEL, ANSI 300 FLANGED, WAFER STYLE, FULL PORT BALL VALVE WITH VALBIA METAL ELECTRIC ACTUATOR AND BRACKET

1/2" TO 4"

*001	12V AC/DC	*002	24V AC/DC	*003	100-240V AC
01	BATTERY BACKUP	*02*	POSITIONER	*04*	BATTERY BACKUP W POSITIONER

SPECIFICATIONS

The Bonomi M8E763101 series electric package features the 7263101-stainless steel, short pattern, wafer full port, ANSI 600 flanged ball valve, in sizes 1/2"-4".

This space saving valve also meets ANSI 16.34, ANSI 16.5, NACE MR 0175/ISO 15156 and NACE MR 0103. It has RTFE seats, and a combination PTFE and Viton dual stem packing design.

The Valbia VBM series metal actuator housing is made from die cast aluminum, and standardly features dual voltages, two extra limit switches, a heater and thermostat, a torque limiter, dual ISO patterns, female star drive, a high-profile dome indicator, 1/2" conduit connections, and a 75% duty cycle motor. The actuator is NEMA 4 rated, and options include positioning boards, battery backups, or a combination of the two.

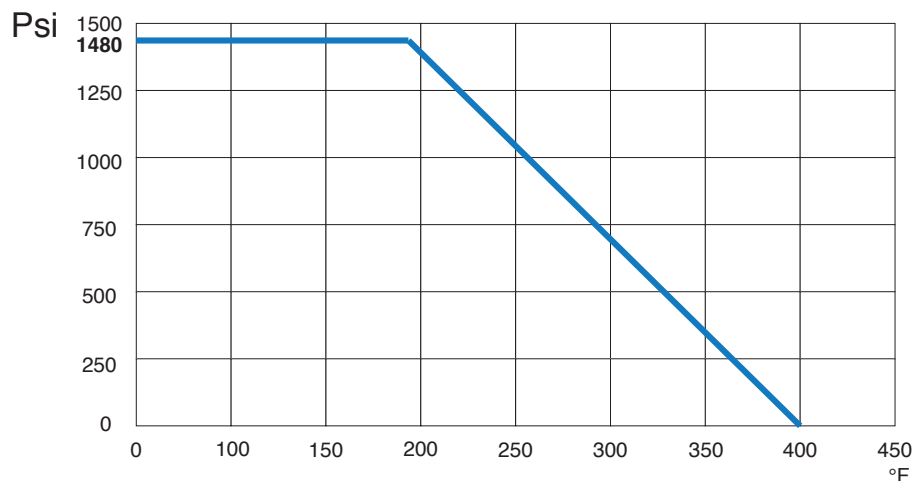
ACTUATOR FEATURES

- Dual Voltages
- CSA, UL approved
- 24V AC/DC and 100-240V AC
- ISO 5211 dual patterns
- 75% Duty Cycle
- High-Strength, Die Cast Aluminum Powder Coated Housing
- Temperature Range -4°F to 131°F
- NEMA 4 Housing
- Two Auxiliary Switches Standard
- Torque limiter standard
- 1/2" Conduit connections

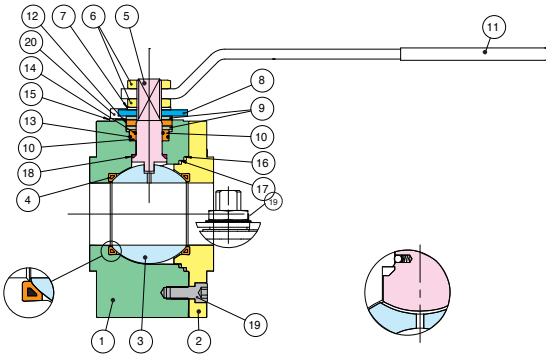
VALVE FEATURES

- Stainless Steel, ANSI class 600 flanged
- Full port, sizes 1/2" to 4"
- Temperature range -4°F to 400°F
- Blow-out proof stem
- R.P.T.F.E. seats, packing and thrust washer
- Space saving design
- 100% tested
- TUV T.A. Luft approved
- ANSI B16.34 design
- ISO 5211 mounting pad with double "D" stem

PRESSURE - TEMPERATURE CHART FOR SERIES 763101



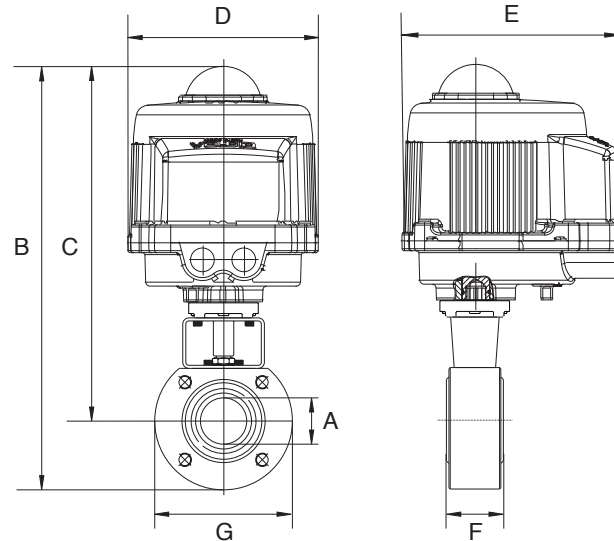
BILL OF MATERIALS FOR 763101



N POS	PART NAME	MATERIAL	N POS
1	BODY	A479-316/316L	1
2	END CONNECTION	A479-316/316L	1
3	BALL	A479-316/A351 CF8M	1
4	BALL SEATS	R.P.T.F.E.	2
5	STEM	A479-316	1
6	NUT	STAINLESS STEEL	2
7	SPRING WASHER	STAINLESS STEEL	2
8	90° STOP	STAINLESS STEEL	1
9	BUSH	A479-316	2
10	STEM SEAL	GRAPHOIL	1
11	HANDLE	STAINLESS STEEL	1

N POS	PART NAME	MATERIAL	N POS
12	STEM SEAL	P.T.F.E.	1
13	RING	FKM (Viton)	1
14	RING	FKM (Viton)	1
15	WASHER	A479-304	2
16	BODY SEAL	GRAPHOIL	1
17	BODY SEAL	P.T.F.E.	1
18	THRUST WASHER	P.T.F.E.	1
19	SCREW	STAINLESS STEEL	3-4-7
20	SCREW	STAINLESS STEEL	2
21	NUT	STAINLESS STEEL	1

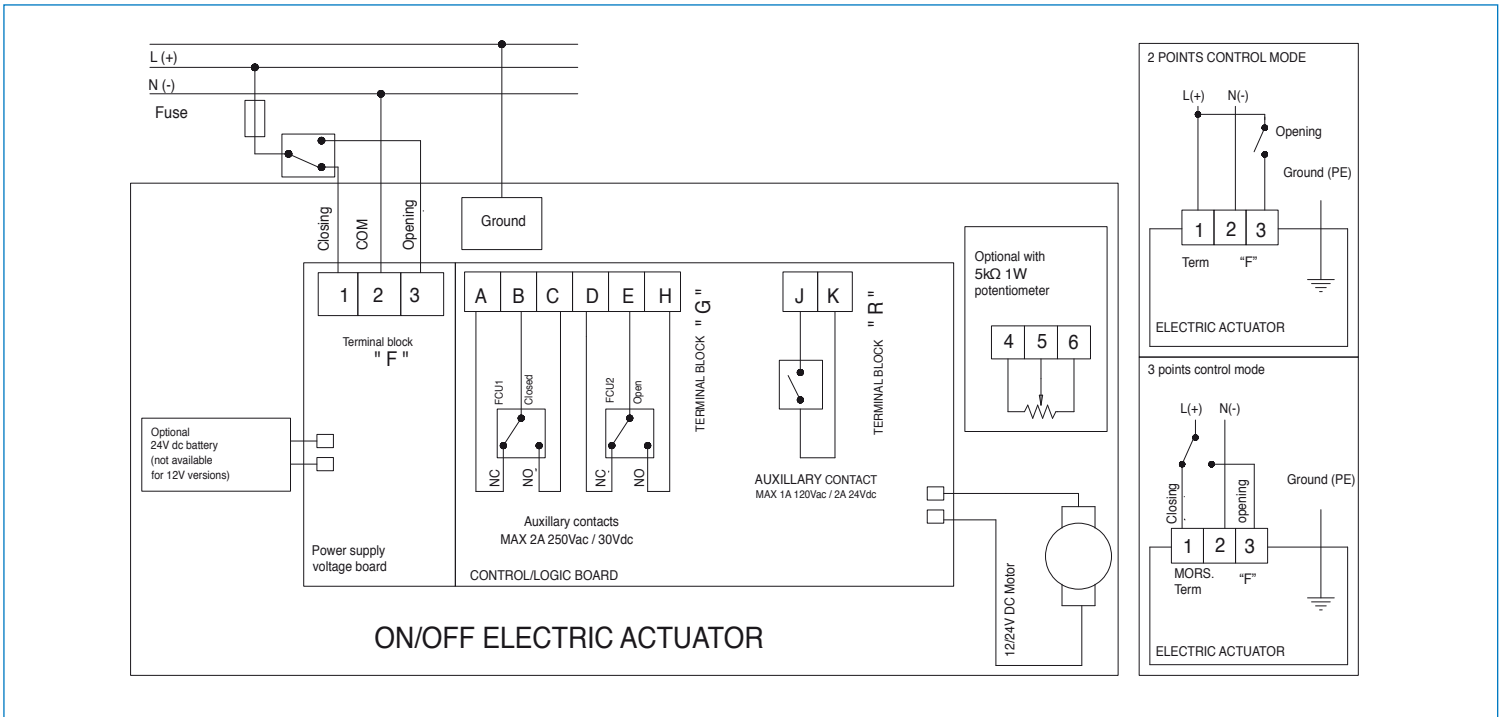
DIMENSIONS



Size	A	B	C	D	E	F	Act.
1/2"	0.50	11.39	9.90	6.34	7.36	2.17	VB030M
3/4"	0.75	11.72	10.09	6.34	7.36	2.36	VB030M
1"	1.00	12.43	10.50	6.34	7.36	2.56	VB030M
1-1/2"	1.50	14.59	12.12	6.93	7.76	3.35	VB060M
2"	2.00	15.22	14.47	6.93	7.76	3.94	VB060M
3"	3.00	19.94	16.31	10.63	10.47	5.91	VB110M
4"	4.00	21.63	17.30	10.63	10.47	7.28	VB190M

ON/OFF WIRING DIAGRAM - VB030M -VB190M

12V AC/DC, 24V AC/DC & 100-240VAC



POSITIONER WIRING DIAGRAM - VB030M - VB190M

12V AC/DC, 24V AC/DC & 100-240VAC

