



<b>JOB NAME:</b>	<b>CONTRACTOR:</b>
<b>JOB LOCATION:</b>	<b>APPROVAL:</b>
<b>ENGINEER:</b>	<b>CONTRACTOR P.O.:</b>
<b>APPROVAL:</b>	<b>REPRESENTATIVE:</b>

**M8E725002V36-0\* - M8E725002V6-0\* - M8E725002V9-0\***  
**30-60° BALL                      60° BALL                      90° BALL**

**725002V36/V6/V9, 2-WAY STAINLESS STEEL, ANSI 150 FLANGED, "TRUE" WAFER STYLE, FULL PORT BALL VALVE WITH METAL ELECTRIC ACTUATOR WITH POSITIONER OR POSITIONER W/ BATTERY BACKUP**

**SIZES 1" TO 4"**

<b>*022</b> 24V AC/DC W POSITIONER	<b>*023</b> 100-240V AC W POSITIONER
<b>*042</b> 24V AC/DC W POSITIONER & BATTERY BACKUP	<b>*043</b> 100-240V AC W POSITIONER & BATTERY BACKUP

## SPECIFICATIONS

The M8E725002V36/V6/V9 series electric package features the "true" wafer 725002V stainless steel, steam rated, full port, ANSI Class 150 flanged ball valve. The 725002V series also incorporates a relief hole located in the stem slot for thermal expansion protection. The Valbia actuator housing is made from die cast aluminum with a polyester powder coating for maximum external protection from the elements either outdoors or indoors. The housing also includes captive cover bolts. Also, standard actuator features include: 2 extra limit switches, dual voltage motors, dual ISO patterns, a square drive, a manual override, a dome position indicator, heater and thermostat, a torque limiter, 1/2" conduit connections, a 75% duty cycle motor, and a positioning board. Battery backup is optional.

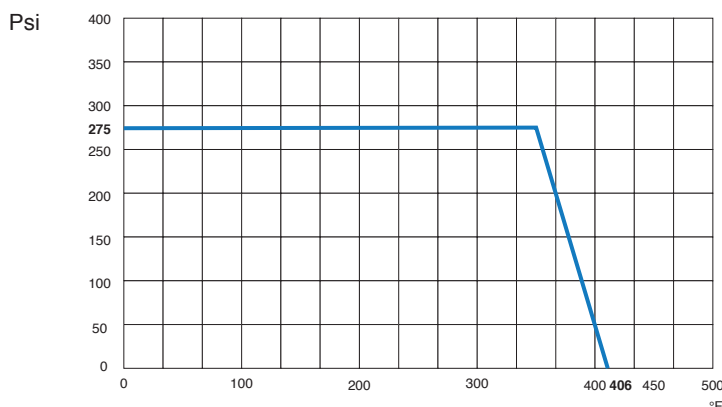
## ACTUATOR FEATURES

- Dual Voltages
- 24V AC/DC and 100-240V AC Models Available
- ISO 5211, F03/F05 base with 11mm female drive
- 75% Duty Cycle
- Anti-condensation heater, (when red wire is connected to power)
- High-Strength, Die Cast Aluminum Powder Coated Housing
- Temperature Range -4°F to 131°F
- NEMA 4 Housing
- Two Auxiliary Switches Standard
- Torque limiter standard

## VALVE FEATURES

- Stainless Steel, ANSI class 150 flanged
- Full port, sizes 1" to 4"
- Temperature range -4°F to 450°F
- Blow-out proof stem
- 25% Carbon filled P.T.F.E. seats, packing and thrust washer
- Thermal relief hole in stem slot
- Space saving design
- 100% tested
- TUV T.A. Luft approved
- Anti-static stem device
- Steam service trim (200 WSP)
- ISO 5211 mounting pad with double "D" stem
- Complies with NACE MR 0175/ISO 15156 and NACE MR 0103

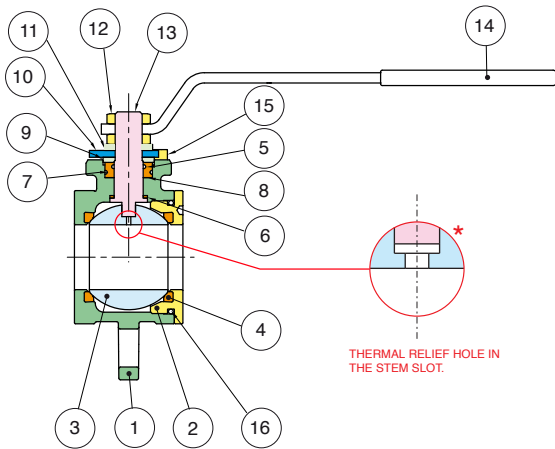
## PRESSURE - TEMPERATURE CHART FOR SERIES 725002V36/V6/V9



## M8E725002V36/V6/V9 V-BALL SERIES MODEL OPTIONS

	<b>90° V-BALL</b>
	<b>M8E725002V9</b>
	<b>60° V-BALL</b>
	<b>M8E725002V6</b>
	<b>30-60° V-BALL</b>
	<b>M8E725002V36</b>

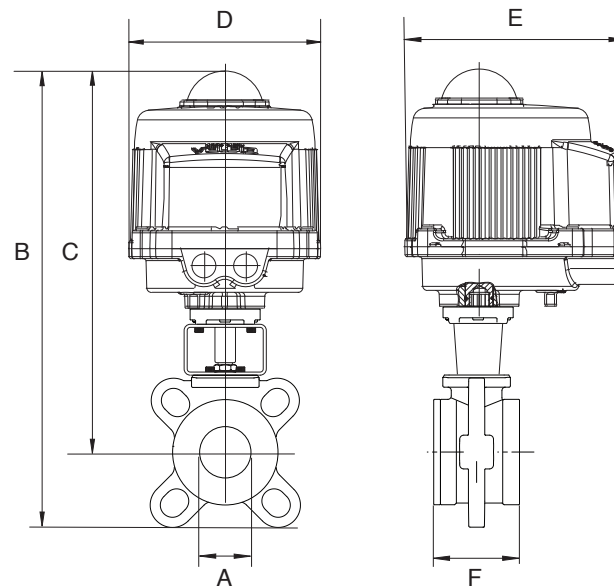
## BILL OF MATERIALS FOR 725002V36/V6/V9



N POS	PART NAME	MATERIAL	N PCS
1	BODY	A351 CF8M	1
2	END CONNECTION	A479-316	1
3	BALL	A479-316/A351 CF8M	1
4	BALL SEATS	R.P.T.F.E.	2
5	O-RING	FKM (Viton®)	1
6	THRUST WASHER	P.T.F.E.	1
7	RING	FKM (Viton®)	1
8	STEM SEAL	P.T.F.E.	1

N POS	PART NAME	MATERIAL	N PCS
10	END STOP	CARBON STEEL	1
11	SPRING WASHER	CARBON STEEL	2
12	NUT	CARBON STEEL	2
13	STEM	A479-316	1
14	HANDLE	CARBON STEEL	1
15	SCREW	CARBON STEEL	2
16	O-RING	FKM (Viton®)	2

## DIMENSIONS



Size	A	B	C	D	E	F	Act.
1"	1.00	13.07	10.79	6.34	7.36	1.81	VB030M
1-1/4"	1.25	13.48	11.02	6.34	7.36	2.12	VB030M
1-1/2"	1.50	14.99	12.30	6.93	7.76	2.50	VB060M
2"	2.00	15.86	12.76	6.93	7.76	3.23	VB060M
3"	3.00	20.94	16.33	10.63	10.47	4.80	VB110M
4"	4.00	22.49	17.26	10.63	10.47	5.60	VB190M

## CV VERSUS VALVE OPENING PERCENTAGE

Size	Degree	10%	20%	30%	40%	50%	60%	70%	80%	90%
1"	30-60°	0	0.1	0.4	0.8	1.4	2.4	4.0	6.9	11
	60°	0	0.3	0.8	1.6	2.7	4.6	7.7	13.4	22
	90°	0	0.5	1.4	2.8	4.9	8.2	13.7	23.7	39
1-1/4"	30-60°	0	0.2	0.7	1.3	2.3	3.9	6.5	11.3	18
	60°	0	0.4	1.3	2.5	4.5	7.6	12.7	21.9	36
	90°	0	0.8	2.2	4.5	8.0	13.4	22.4	38.8	64
1-1/2"	30-60°	0	0.3	1.0	2.0	3.5	5.9	9.8	17.0	28
	60°	0	0.7	2.0	4.0	7.1	11.9	20.0	34.5	57
	90°	0	1.1	3.3	6.6	11.6	19.5	32.6	56.4	93
2"	30-60°	0	0.5	1.5	3.1	5.5	9.2	15.4	26.7	44
	60°	0	1.1	3.1	6.3	11.1	18.7	31.2	54.0	89
	90°	0	2.0	6.0	12.0	21.2	35.6	59.5	102.9	170
3"	30-60°	0	1.3	3.9	7.8	13.8	23.2	38.9	67.2	111
	60°	0	2.7	7.9	16.0	28.2	47.4	79.3	137.1	227
	90°	0	4.7	13.6	27.3	48.1	80.9	135.4	234.1	387
4"	30-60°	0	2.1	6.1	12.3	21.6	36.3	60.8	105.2	174
	60°	0	4.3	12.4	25.0	44.1	74.1	124.1	214.5	355
	90°	0	8.1	23.6	47.5	88	140.8	235.7	407.50	675

## POSITIONER WIRING DIAGRAM - VB030M -VB350M

12V AC/DC, 24V AC/DC & 100-240VAC

