



JOB NAME:	CONTRACTOR:
JOB LOCATION:	APPROVAL:
ENGINEER:	CONTRACTOR P.O.:
APPROVAL:	REPRESENTATIVE:

M8E723101-00*

723101 2-WAY STAINLESS STEEL, ANSI 150 FLANGED, DIRECT MOUNT WAFER STYLE, FULL PORT BALL VALVE WITH VALBIA METAL ELECTRIC ACTUATOR

SIZES 1" TO 4"

*001 12V AC/DC	*002 24V AC/DC	*003 100-240V AC
01 BATTERY BACKUP	*02* POSITIONER	*04* BATTERY BACKUP W POSITIONER

SPECIFICATIONS

The M8E723101 electric actuated package features the ANSI Class 150 full port stainless steel space saving, 723101 series direct mount, low torque, wafer style ball valve. This ball valve series feature a double O-ring stem seal, grounded ball & stem, and incorporates an ISO 5211 mounting pad and square stem. Sizes are 1"-4".

The Valbia VBM series metal actuator housing is made from die cast aluminum, and standardly features dual motors, two extra limit switches, a heater & thermostat, a torque limiter, dual ISO patterns, female star drive, a high-profile dome position indicator, 1/2" conduit connections, and a 75% duty cycle motor. The actuator is NEMA 4 rated. Options include positioning boards, battery backups, or a combination of the two.

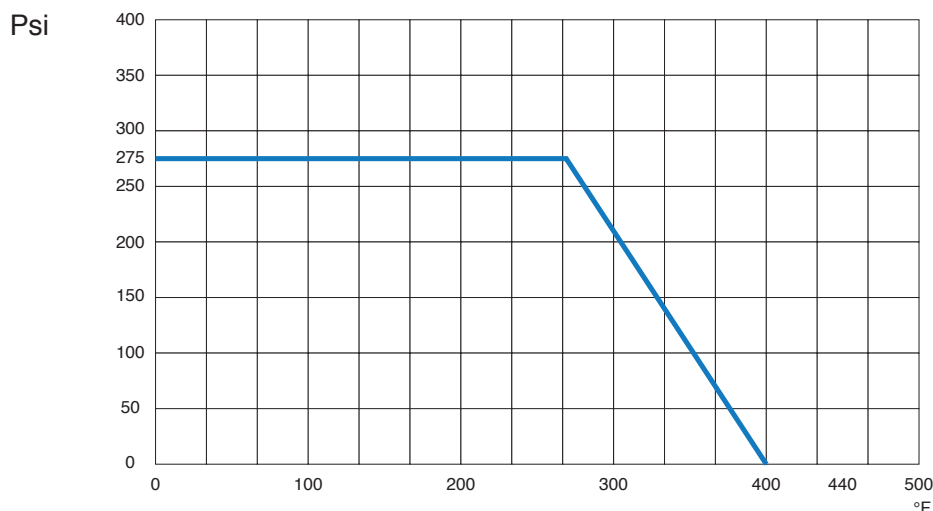
ACTUATOR FEATURES

- Dual Voltages
- 24V AC/DC and 100-240V AC
- ISO 5211 dual patterns
- 75% Duty Cycle
- High-Strength, Die Cast Aluminum Powder Coated Housing
- Temperature Range -4°F to 131°F
- NEMA 4 Housing
- Two Auxiliary Switches Standard
- Torque limiter standard
- 1/2" Conduit connections

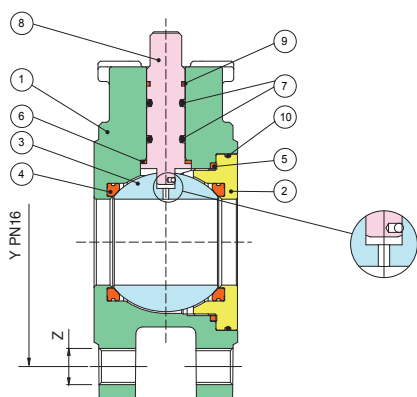
VALVE FEATURES

- Direct mount, Stainless steel ANSI class 150 Wafer-style flanged ball valve
- Full port, sizes 1" to 4"
- Temperature range -4°F to +366°F
- Anti-static Stem Device
- Dual Stem Seal O-rings FKM (Viton)
- TFM Stem Seal
- ISO 5211 mounting pad/square stem
- Low Torque Design
- TFM Encapsulated Flex Seat Design
- 17-4 PH stem

PRESSURE - TEMPERATURE CHART FOR SERIES 723101

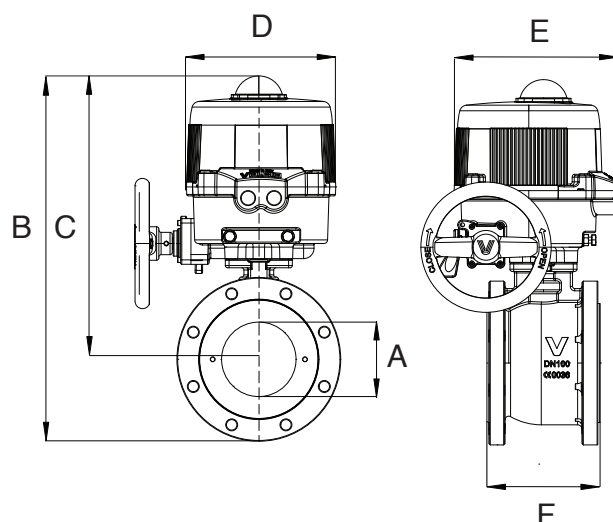


BILL OF MATERIALS FOR 723101



N POS	PART NAME	MATERIAL	N PCS
1	BODY	A351-CF8M	1
2	END CONNECTION	A479-Tp316/A182-F316	1
3	BALL	A351-CF8M	1
4	BALL SEAL	TFM®	2
5	BODY SEAT	P.T.F.E.	1
6	THRUST WASHER	TFM®	1
7	O-RING	FKM (Viton®)	2
8	STEM	A564-Tp630 H1150D (17-4-PH)	1
9	STEM SEAL	P.T.F.E.	1
10	O-RING	FKM (Viton®)	1

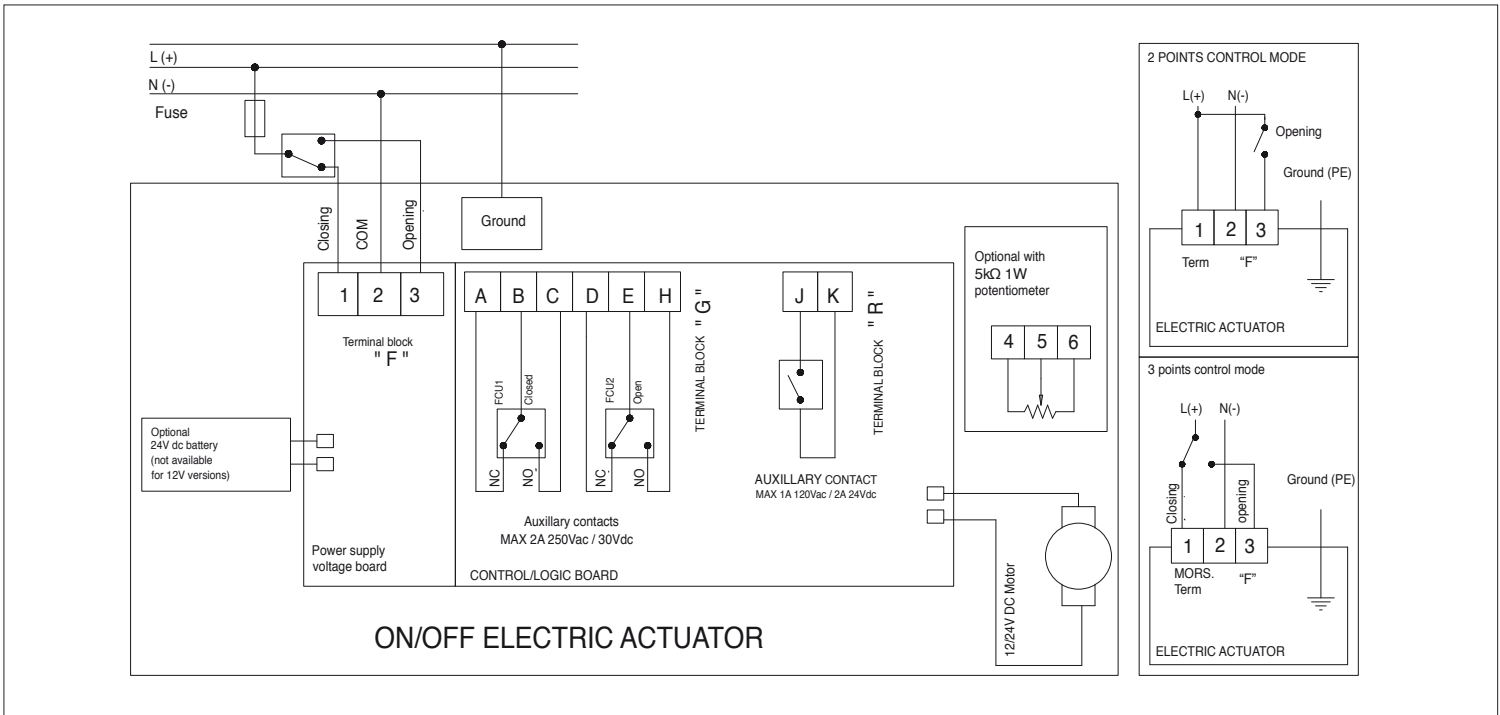
DIMENSIONS



Size	A	B	C	D	E	F	G	ACT.
1"	1.00	12.49	10.16	7.83	7.36	1.89	4.33	VB030M
1-1/4"	1.25	13.51	10.67	7.83	7.36	2.13	5.11	VB030M
1-1/2"	1.50	14.13	10.98	7.83	7.36	2.50	5.51	VB030M
2"	2.00	14.77	11.30	7.83	7.36	3.23	5.90	VB030M
2-1/2"	2.50	17.32	12.99	8.66	7.76	4.06	6.88	VB060M
3"	3.00	18.10	13.38	8.66	7.76	4.80	7.48	VB060M
4"	4.00	20.26	14.97	8.66	7.76	5.98	8.66	VB110M

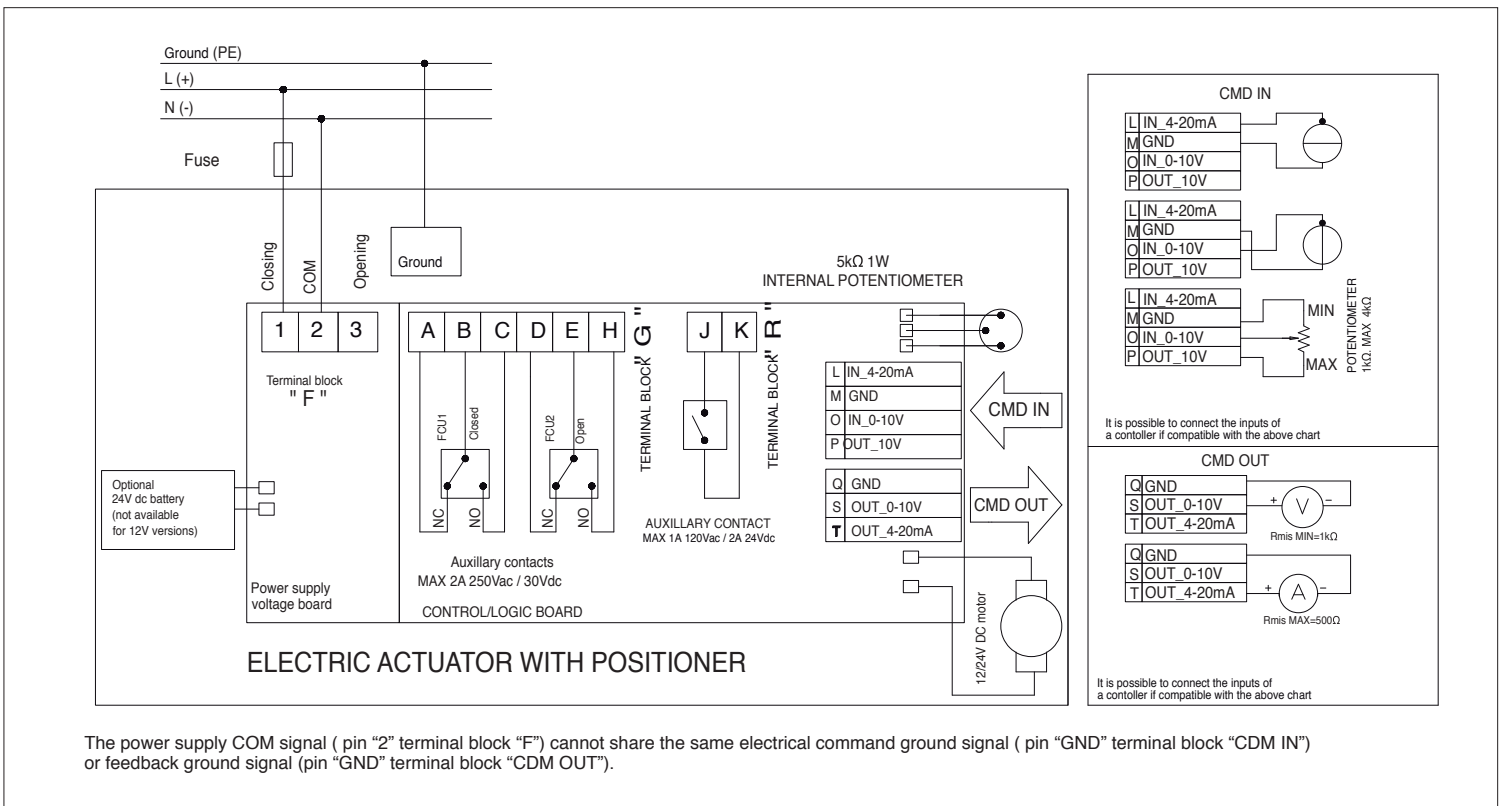
ON/OFF WIRING DIAGRAM - VB030M -VB190M

12V AC/DC, 24V AC/DC & 100-240VAC



POSITIONER WIRING DIAGRAM - VB030M -VB190M

12V AC/DC, 24V AC/DC & 100-240VAC



The power supply COM signal (pin "2" terminal block "F") cannot share the same electrical command ground signal (pin "GND" terminal block "CDM IN") or feedback ground signal (pin "GND" terminal block "CDM OUT").