



JOB NAME:	CONTRACTOR:
JOB LOCATION:	APPROVAL:
ENGINEER:	CONTRACTOR P.O.:
APPROVAL:	REPRESENTATIVE:

M8E720370V36-0* - M8E720370V6-0* - M8E720370V9-0*
30-60° BALL 60° BALL 90° BALL

720370V36/V6/V9, 2-WAY STAINLESS STEEL, ANSI 150 FLANGED, FIRE -SAFE, WAFER STYLE, FULL PORT BALL VALVE WITH METAL ELECTRIC ACTUATOR WITH POSITIONER OR POSITIONER W/ BATTERY BACKUP

SIZES 1/2" TO 6"

*022 24V AC/DC W POSITIONER	*023 100-240V AC W POSITIONER
*042 24V AC/DC W POSITIONER & BATTERY BACKUP	*043 100-240V AC W POSITIONER & BATTERY BACKUP

SPECIFICATIONS

The Bonomi M8E720370V36/V6/V9 series electric packages feature the Fire-Safe series 720370V made from ASTM A351-CF8M stainless steel, short pattern, wafer full port, ANSI 150 flanged ball valve, in sizes 1/2"-6". It has 25% carbon filled PTFE seats, grounded ball & stem, and a combination PTFE and Viton dual stem packing design. The Valbia actuator housing is made from die cast aluminum with a polyester powder coating for maximum external protection from the elements either outdoors or indoors. The housing also includes captive cover bolts. Also, standard actuator features include: 2 extra limit switches, dual voltage motors, dual ISO patterns, a square drive, a manual override, a dome position indicator, heater and thermostat, a torque limiter, 1/2" conduit connections, a 75% duty cycle motor, and a positioning board. Battery backup is optional.

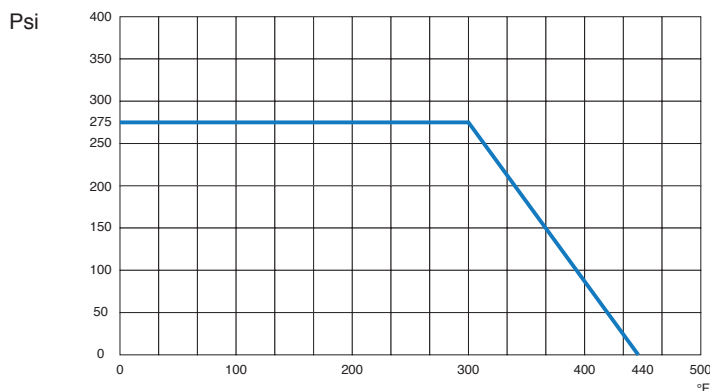
ACTUATOR FEATURES

- Dual Voltages
- 24V AC/DC and 100-240V AC Models Available
- ISO 5211, F03/F05 base with 11mm female drive
- 75% Duty Cycle
- Anti-condensation heater, (when red wire is connected to power)
- High-Strength, Die Cast Aluminum Powder Coated Housing
- Temperature Range -4°F to 131°F
- NEMA 4 Housing
- Two Auxiliary Switches Standard
- Torque limiter standard

VALVE FEATURES

- Stainless Steel, ANSI class 150 flanged
- Full port, sizes 1/2" to 6"
- Blow out proof stem
- Fire-safe approved with Antistatic stem device
- 25% carbon filled P.T.F.E ball seats.
- P.T.F.E. packing and thrust washer
- Space saving design
- 100% tested
- TUV T.A. Luft approved
- ANSI B16.34 design
- ISO 5211 mounting pad with double "D" stem
- Temperature range: -4° F to 450° F.

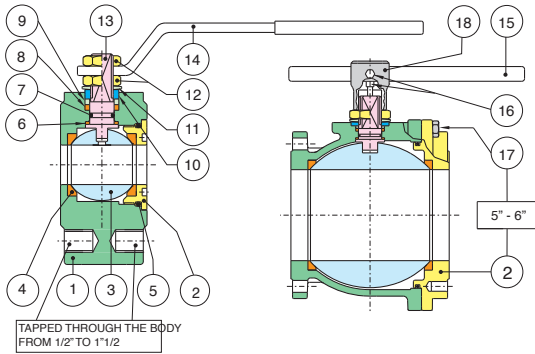
PRESSURE - TEMPERATURE CHART FOR SERIES 720370V36/V6/V9



M8E720370V36/V6/V9 V-BALL SERIES MODEL OPTIONS

	90° V-BALL
	M8E720370V9
	60° V-BALL
	M8E720370V6
	30-60° V-BALL
	M8E720370V36

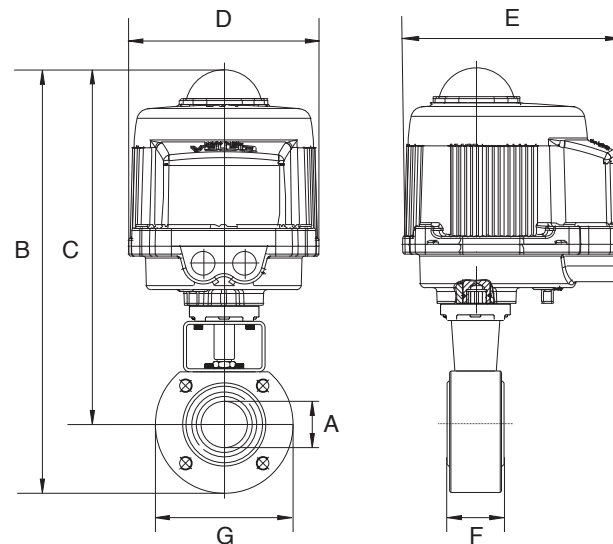
BILL OF MATERIALS FOR 720370V36/V6/V9



N POS	PART NAME	MATERIAL	N POS
1	BODY	A479-316/A351 CF8M	1
2	END CONNECTION	A479-316/A351 CF8M	1
3	BALL	A479-316/A351 CF8M	1
4	BALL SEATS	25% CARBON FILLED P.T.F.E.	2
5	O-RING	FKM (Viton®)	1
6	THRUST WASHER	P.T.F.E.	1
7	RING	FKM (Viton®)	1
8	STEM SEAL	GRAPHOIL	1
9	PACKING GLAND	STEEL	1
10	END STOP	AISI 430 (1/2" - 2") STEEL (2-1/2" - 6")	2 1

N POS	PART NAME	MATERIAL	N POS
11	SPRING WASHER	STEEL	2
12	NUT	STEEL	2
13	STEM	AISI 304	1
14	HANDLE	STEEL	1
15	HANDLE DN 150-200	STEEL	1
16	SCREW	STEEL	2
17	SCREW	STEEL	8-12
18	BODY HANDLE DN150-200	CAST IRON	1
19	UNSCREWING GROWER	A182-F316	1

DIMENSIONS



Size	A	B	C	D	E	F	G	Act.
1/2"	0.5	11.39	9.9	6.34	7.36	1.37	3.54	VB030M
3/4"	0.75	11.72	10.09	6.34	7.36	1.57	3.93	VB030M
1"	1	12.43	10.5	6.34	7.36	1.81	4.33	VB030M
1-1/2"	1.5	14.59	12.12	6.93	7.76	2.51	5.51	VB060M
2"	2	15.22	14.47	6.93	7.76	3.22	5.9	VB060M
3"	3	19.94	16.31	10.63	10.47	4.8	7.48	VB110M
4"	4.00	21.63	17.30	10.63	10.47	5.98	8.66	VB190M
6"	6.00	25.20	18.92	10.63	10.47	7.71	9.84	VB190M

CV VERSUS VALVE OPENING PERCENTAGE

Size	Degree	10%	20%	30%	40%	50%	60%	70%	80%	90%
1/2"	30-60°	0	0.0	0.1	0.2	0.4	0.6	1.0	1.7	3
	60°	0	0.1	0.2	0.4	0.7	1.2	1.9	3.3	6
	90°	0	0.1	0.3	0.7	1.2	2.0	3.4	5.9	10
3/4"	30-60°	0	0.1	0.2	0.5	0.8	1.3	2.2	3.9	6
	60°	0	0.1	0.4	0.9	1.5	2.6	4.3	7.5	12
	90°	0	0.3	0.8	1.6	2.7	4.6	7.7	13.3	22
1"	30-60°	0	0.1	0.4	0.8	1.4	2.4	4.0	6.9	11
	60°	0	0.3	0.8	1.6	2.7	4.6	7.7	13.4	22
	90°	0	0.5	1.4	2.8	4.9	8.2	13.7	23.7	39
1-1/2"	30-60°	0	0.3	1.0	2.0	3.5	5.9	9.8	17.0	28
	60°	0	0.7	2.0	4.0	7.1	11.9	20.0	34.5	57
	90°	0	1.1	3.3	6.6	11.6	19.5	32.6	56.4	93
2"	30-60°	0	0.5	1.5	3.1	5.5	9.2	15.4	26.7	44
	60°	0	1.1	3.1	6.3	11.1	18.7	31.2	54.0	89
	90°	0	2.0	6.0	12.0	21.2	35.6	59.5	102.9	170
3"	30-60°	0	1.3	3.9	7.8	13.8	23.2	38.9	67.2	111
	60°	0	2.7	7.9	16.0	28.2	47.4	79.3	137.1	227
	90°	0	4.7	13.6	27.3	48.1	80.9	135.4	234.1	387
4"	30-60°	0	2.1	6.1	12.3	21.6	36.3	60.8	105.2	174
	60°	0	4.3	12.4	25.0	44.1	74.1	124.1	214.5	355
	90°	0	8.1	23.6	47.5	88	140.8	235.7	407.50	675
6"	30-60°	0	4.7	13.7	27.6	28.7	81.9	137.0	236.9	392.0
	60°	0	9.6	28.0	56.3	99.3	166.8	279.3	482.8	799.0
	90°	0	17.7	51.6	103.8	183.1	307.6	514.9	890.2	1473.0

POSITIONER WIRING DIAGRAM - VB030M - VB350M

12V AC/DC, 24V AC/DC & 100-240VAC

