



<b>JOB NAME:</b>	<b>CONTRACTOR:</b>
<b>JOB LOCATION:</b>	<b>APPROVAL:</b>
<b>ENGINEER:</b>	<b>CONTRACTOR P.O.:</b>
<b>APPROVAL:</b>	<b>REPRESENTATIVE:</b>

## M8E720289-00 \*

**720289 2-WAY CARBON STEEL, ANSI 300 FLANGED, WAFER STYLE, FULL PORT BALL VALVE WITH VALBIA ELECTRIC ACTUATOR AND BRACKET**

**SIZES 1/2" TO 6"**

<b>*001</b> 12V AC/DC	<b>*002</b> 24V AC/DC	<b>*003</b> 100-240V AC
<b>*01*</b> BATTERY BACKUP	<b>*02*</b> POSITIONER	<b>*04*</b> BATTERY BACKUP W POSITIONER

### SPECIFICATIONS

The Bonomi M8E720289 series electric package features the 720289-carbon steel, short pattern, wafer full port, ANSI 300 flanged ball valve, in sizes 1/2"-6".

This space saving valve also meets ANSI 16.34, ANSI 16.5, NACE MR 0175/ISO 15156 and NACE MR 0103. It has RTFE seats, and a combination PTFE and Viton dual stem packing design.

The Valbia VBM series metal actuator housing is made from die cast aluminum, and standardly features dual voltages, two extra limit switches, a heater and thermostat, a torque limiter, dual ISO patterns, female star drive, a high-profile dome indicator, 1/2" conduit connections, and a 75% duty cycle motor. The actuator is NEMA 4 rated, and options include positioning boards, battery backups, or a combination of the two.

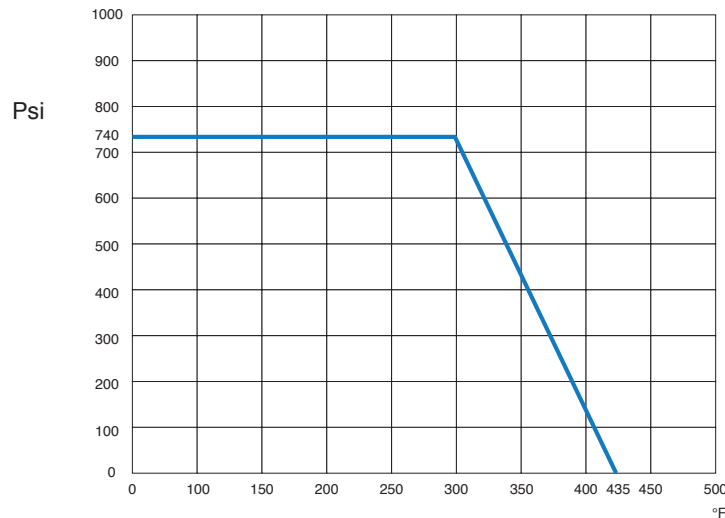
### ACTUATOR FEATURES

- Dual Voltages
- CSA, UL approved
- 24V AC/DC and 100-240V AC
- ISO 5211 dual patterns
- 75% Duty Cycle
- High-Strength, Die Cast Aluminum Powder Coated Housing
- Temperature Range -4°F to 131°F
- NEMA 4 Housing
- Two Auxiliary Switches Standard
- Torque limiter standard
- Heater & Thermostat
- 1/2" Conduit connections

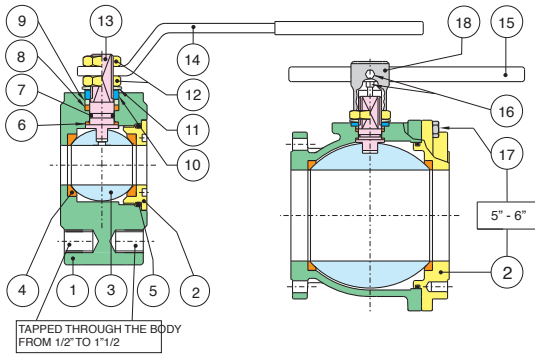
### VALVE FEATURES

- Carbon steel, ANSI class 300 flanged
- Full port, sizes 1/2" to 6"
- Blow out proof stem
- R.P.T.F.E ball seats
- P.T.F.E. packing and thrust washer
- Space saving design
- 100% tested
- TUV T.A. Luft approved
- ANSI B16.34 design
- ISO 5211 mounting pad with double "D" stem
- Temperature range: -4° F to 366° F.

### PRESSURE - TEMPERATURE CHART FOR SERIES 720289



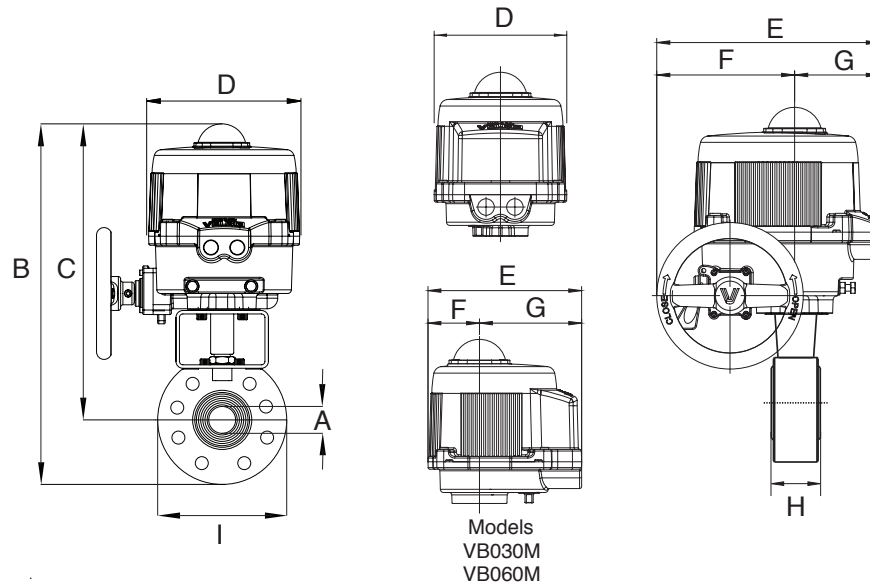
## BILL OF MATERIALS FOR 720289



N POS	PART NAME	MATERIAL	N PCS
1	BODY	ASTM A105/WCB	1
2	END CONNECTION	ASTM A105/WCB	1
3	BALL	A479-304/A351 CF8M	1
4	BALL SEATS	R.P.T.F.E.	2
5	O-RING	FKM (Viton®)	1
6	THRUST WASHER	P.T.F.E.	1
7	RING	FKM (Viton®)	1
8	STEM SEAL	P.T.F.E.	1
9	PACKING GLAND	STEEL	1
10	END STOP	STEEL	2-1

N POS	PART NAME	MATERIAL	N PCS
11	SPRING WASHER	STEEL	2
12	NUT	STEEL	2
13	STEM	AISI 304	1
14	HANDLE	STEEL	1
15	HANDLE DN 150-200	STEEL	1
16	SCREW	STEEL	2
17	SCREW	STEEL	12
18	BODY HANDLE DN150-200	CAST IRON	1
19	UNSCREWING GROWER	A182-F316	1

## DIMENSIONS

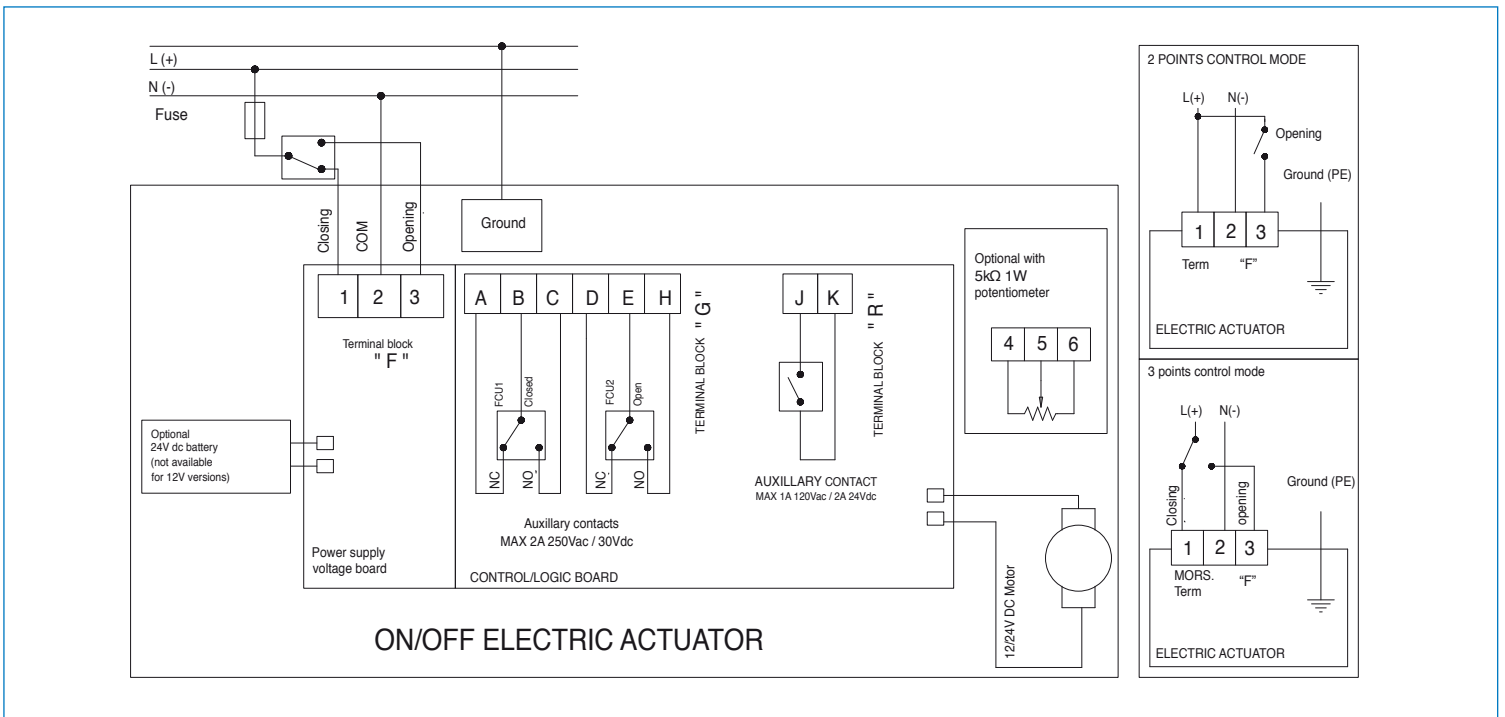


Size	A	B	C	D	E	F	G	H	I	Act.
1/2"	0.50	11.39	9.9	6.34	7.36	2.48	4.88	1.37	3.54	VB030M
3/4"	0.75	11.72	10.09	6.34	7.36	2.48	4.88	1.57	3.93	VB030M
1"	1.00	12.43	10.5	6.34	7.36	2.48	4.88	1.81	4.33	VB030M
1-1/4"	1.25	12.7	10.67	6.34	7.36	2.48	4.88	2.12	5.11	VB030M
1-1/2"	1.50	14.59	12.12	6.93	7.76	2.48	5.28	2.51	5.51	VB060M
2"	2.00	15.22	14.47	6.93	7.76	2.48	5.28	3.22	5.9	VB060M
2-1/2"	2.50	19.14	15.83	10.63	10.47	6.50	3.98	4.05	6.88	VB110M *
3"	3.00	19.94	16.31	10.63	10.47	6.50	3.98	4.80	7.48	VB190M *
4"	4.00	21.63	17.3	10.63	10.47	6.50	3.98	5.98	8.66	VB270M *
6"	CONSULT FACTORY									

\* Includes Manual Handwheel

# ON/OFF WIRING DIAGRAM - VB030M -VB190M

12V AC/DC, 24V AC/DC & 100-240VAC



# POSITIONER WIRING DIAGRAM - VB030M -VB190M

12V AC/DC, 24V AC/DC & 100-240VAC

