



JOB NAME:	CONTRACTOR:
JOB LOCATION:	APPROVAL:
ENGINEER:	CONTRACTOR P.O.:
APPROVAL:	REPRESENTATIVE:

M8E710190V36-0* - M8E710190V6-0* - M8E710190V9-0*
M8E710061V36-0* - M8E710061V6-0* - M8E710061V9-0*
 30-60° BALL 60° BALL 90° BALL

710190V36/V6/V9 2-WAY STAINLESS STEEL, FOR STEAM, FULL PORT BALL VALVE WITH METAL ELECTRIC ACTUATOR WITH POSITIONER OR POSITIONER W/ BATTERY BACKUP

SIZES 1/2" TO 4"

*022	24V AC/DC W POSITIONER	*023	100-240V AC W POSITIONER
*042	24V AC/DC W POSITIONER & BATTERY BACKUP	*043	100-240V AC W POSITIONER & BATTERY BACKUP

SPECIFICATIONS

The M8E710190/M8E710061 electric V-ball packages feature either the Valpres 3-piece stainless steel series 710190 NPT or the 710061 socket weld ball valve with 25% carbon filled PTFE seats, and thermal relief hole in the stem slot. The valves are rated for 1000psi maximum working pressure. The Valbia actuator housing is made from die cast aluminum with a polyester powder coating for maximum external protection from the elements either outdoors or indoors. The housing also includes captive cover bolts. Also, standard actuator features include: 2 extra limit switches, dual voltage motors, dual ISO patterns, a square drive, a manual override, a dome position indicator, heater and thermostat, a torque limiter, 1/2" conduit connections, a 75% duty cycle motor, and a positioning board. Battery backup is optional.

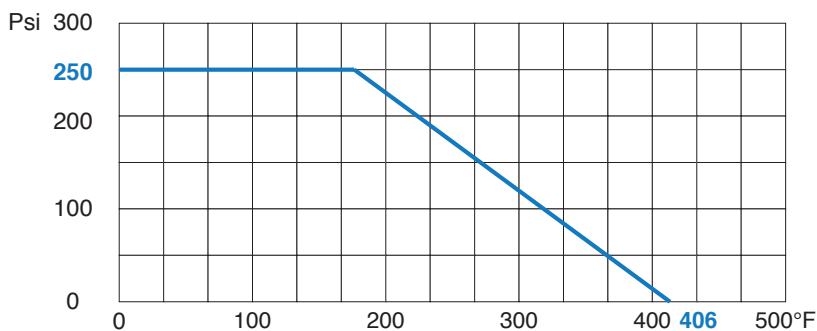
ACTUATOR FEATURES

- Dual Voltages
- 24V AC/DC and 100-240V AC Models Available
- ISO 5211, F03/F05 base with 11mm female drive
- 75% Duty Cycle
- Anti-condensation heater, (when red wire is connected to power)
- High-Strength, Die Cast Aluminum Powder Coated Housing
- Temperature Range -4°F to 131°F
- NEMA 4 Housing
- Two Auxiliary Switches Standard
- Torque limiter standard

VALVE FEATURES

- CF8M Stainless Steel
- Sizes 1/2" to 4"
- 710190V36/V6/V9 - NPT
- 710061V36/V6/V9 - SW
- Temperature range: -4°F to 406° F.
- Blow out proof stem, Antistatic Device.
- ISO 5211 mounting pad with double "D" stem
- 100% tested.
- TUV T.A. Luft approved.
- 25% carbon filled P.T.F.E. ball seats; thermal relief hole in the ball.

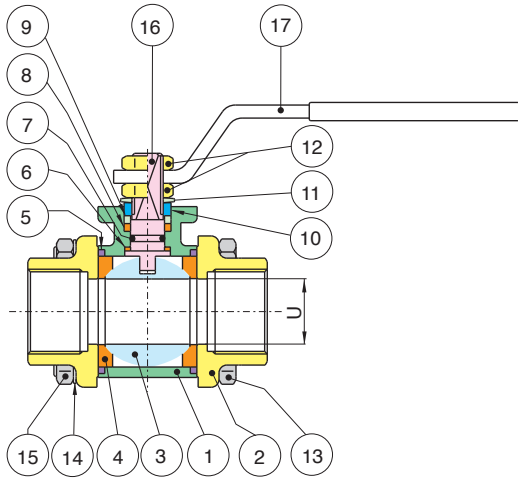
PRESSURE - TEMPERATURE CHART FOR SERIES 710190V36/V6/V9 - 710061V36/V6/V9



M8E710190V36/V6/V9 - M8E71061V36/V6/V9 V-BALL SERIES MODEL OPTIONS

	90° V-BALL
	M8E710190V9-0* M8E710061V9-0*
	60° V-BALL
	M8E710190V6-0* M8E710061V6-0*
	30-60° V-BALL
	M8E710190V36-0* M8E710061V36-0*

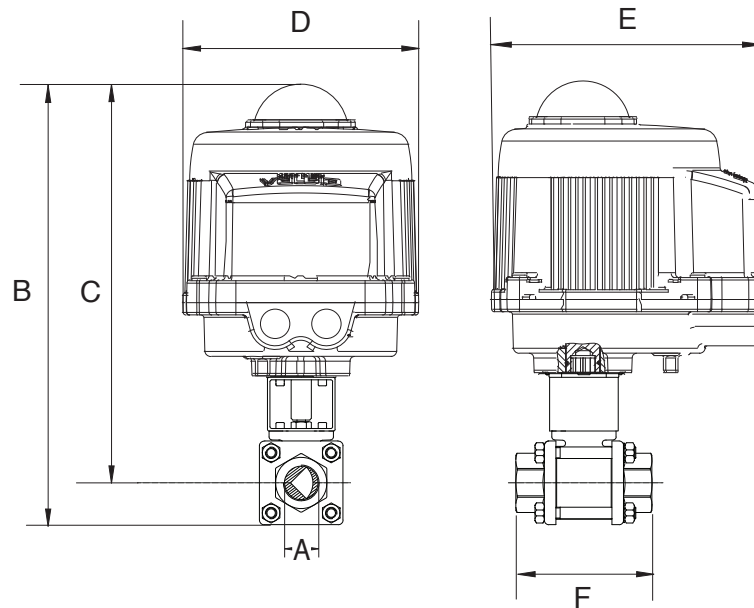
BILL OF MATERIALS FOR 710190V36/V6/V9 - 710061V36/V6/V9



N POS	PART NAME	MATERIAL	N PCS
1	BODY	CF8M	1
2	END CAP	CF8M	2
3	BALL	AISI 304-CF8M	1
4	BALL SEAT	R.P.T.F.E.	2
5	SEAL	VITON	2
6	STEM SEAL	R.P.T.F.E.	1
7	O-RING	FKM (Viton)	1
8	STEM SEAL	R.P.T.F.E.	1
9	PACKING GLAND	STEEL	1

N POS	PART NAME	MATERIAL	N PCS
10	END STOP	AISI 430 (1/4" - 2")	2
		STEEL (2-1/2" - 4")	1
11	SPRING WASHER	STEEL (2-1/2" - 4")	2
12	NUT	STEEL	2
13	BOLT	STEEL (1/4" - 2")	4
		STEEL (2-1/2" - 4")	6
14	WASHER	STEEL (1/4" - 2")	4
		STEEL (2-1/2" - 4")	6
15	NUT	STEEL (1/4" - 2")	4
		STEEL (2-1/2" - 4")	6
16	STEM	AISI 304	1
17	HANDLE	STEEL	1

DIMENSIONS



Size	A	B	C	D	E	F	ACT.
1/2"	0.59	10.11	8.85	6.34	7.36	2.55	VB030M
3/4"	0.78	10.37	8.94	6.34	7.36	2.99	VB030M
1"	0.98	10.73	9.13	6.34	7.36	3.62	VB030M
1-1/4"	1.25	10.99	9.22	6.34	7.36	4.19	VB030M
1-1/2"	1.49	12.54	10.37	6.93	7.76	4.56	VB060M
2"	1.96	12.96	10.52	6.93	7.76	5.35	VB060M
2-1/2"	2.55	14.86	11.91	10.63	10.47	6.04	VB110M
3"	3.15	15.52	12.14	10.63	10.47	7.08	VB110M
4"	3.93	16.68	12.64	10.63	10.47	8.54	VB190M

CV VERSUS VALVE OPENING PERCENTAGE

Size	Degree	10%	20%	30%	40%	50%	60%	70%	80%	90%
1/2"	30-60°	0	0.0	0.1	0.2	0.4	0.6	1.0	1.7	3
	60°	0	0.1	0.2	0.4	0.7	1.2	1.9	3.3	6
	90°	0	0.1	0.3	0.7	1.2	2.0	3.4	5.9	10
3/4"	30-60°	0	0.1	0.2	0.5	0.8	1.3	2.2	3.9	6
	60°	0	0.1	0.4	0.9	1.5	2.6	4.3	7.5	12
	90°	0	0.3	0.8	1.6	2.7	4.6	7.7	13.3	22
1"	30-60°	0	0.1	0.4	0.8	1.4	2.4	4.0	6.9	11
	60°	0	0.3	0.8	1.6	2.7	4.6	7.7	13.4	22
	90°	0	0.5	1.4	2.8	4.9	8.2	13.7	23.7	39
1-1/4"	30-60°	0	0.2	0.7	1.3	2.3	3.9	6.5	11.3	18
	60°	0	0.4	1.3	2.5	4.5	7.6	12.7	21.9	36
	90°	0	0.8	2.2	4.5	8.0	13.4	22.4	38.8	64
1-1/2"	30-60°	0	0.3	1.0	2.0	3.5	5.9	9.8	17.0	28
	60°	0	0.7	2.0	4.0	7.1	11.9	20.0	34.5	57
	90°	0	1.1	3.3	6.6	11.6	19.5	32.6	56.4	93
2"	30-60°	0	0.5	1.5	3.1	5.5	9.2	15.4	26.7	44
	60°	0	1.1	3.1	6.3	11.1	18.7	31.2	54.0	89
	90°	0	2.0	6.0	12.0	21.2	35.6	59.5	102.9	170
3"	30-60°	0	1.3	3.9	7.8	13.8	23.2	38.9	67.2	111
	60°	0	2.7	7.9	16.0	28.2	47.4	79.3	137.1	227
	90°	0	4.7	13.6	27.3	48.1	80.9	135.4	234.1	387
4"	30-60°	0	2.1	6.1	12.3	21.6	36.3	60.8	105.2	174
	60°	0	4.3	12.4	25.0	44.1	74.1	124.1	214.5	355
	90°	0	8.1	23.6	47.5	88	140.8	235.7	407.50	675

POSITIONER WIRING DIAGRAM - VB030M -VB350M

12V AC/DC, 24V AC/DC & 100-240VAC

