



JOB NAME:	CONTRACTOR:
JOB LOCATION:	APPROVAL:
ENGINEER:	CONTRACTOR P.O.:
APPROVAL:	REPRESENTATIVE:

M8E3200

**3200 2-WAY CARBON STEEL, FNPT
THREADED DIRECT MOUNT BALL VALVE WITH
VALBIA METAL ELECTRIC ACTUATOR**

SIZES 3/8" TO 1"

M8E3300

**3300 2-WAY CARBON STEEL, SAE
THREADED DIRECT MOUNT BALL VALVE WITH
VALBIA METAL ELECTRIC ACTUATOR**

SIZES 9/16-18 SAE TO 1-5/16-12 SAE

*001	12V AC/DC	*002	24V AC/DC	*003	100-240V AC
01	BATTERY BACKUP	*02*	POSITIONER	*04*	BATTERY BACKUP W POSITIONER

SPECIFICATIONS

The Bonomi M8E3200 series electric actuated package feature a high-pressure NPT carbon steel hydraulic ball valve, and the M8E3300 series features all the same characteristics, however, with SAE connections.

The Valbia electric VBM metal housing actuator is standardly furnished with dual voltages, two extra limit switches, torque limiter, manual override, a dome position indicator, 1/2" conduit connections, 75% duty cycle motor, contained in a NEMA 4 cast aluminum powder coated housing.

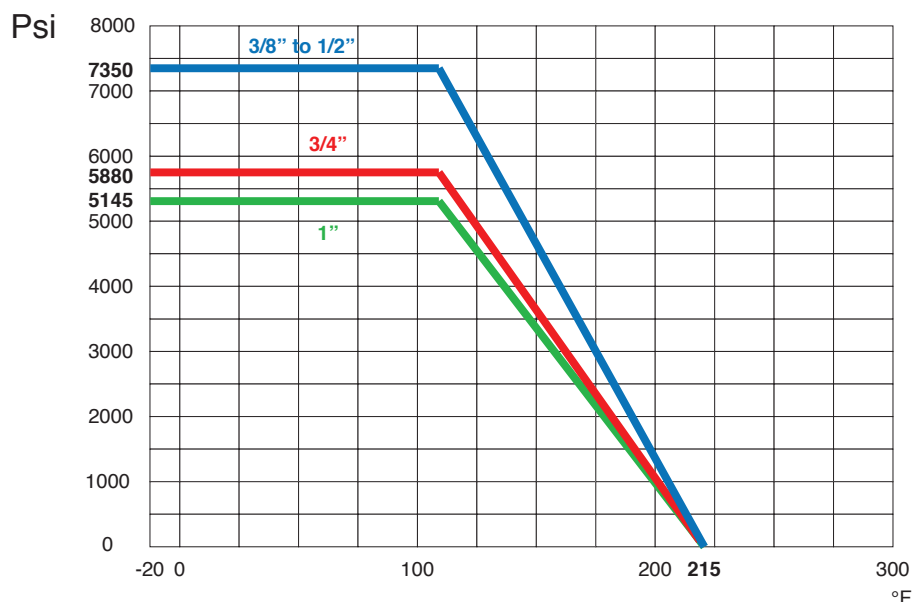
ACTUATOR FEATURES

- Dual Voltages
- CSA, UL approved
- 24V AC/DC and 100-240V AC Models Available
- ISO 5211, F03/F05 base with 11mm female drive
- 75% Duty Cycle
- Anti-condensation heater, (when red wire is connected to power)
- High-Strength, Die Cast Aluminum Powder Coated Housing
- Temperature Range -4°F to 131°F

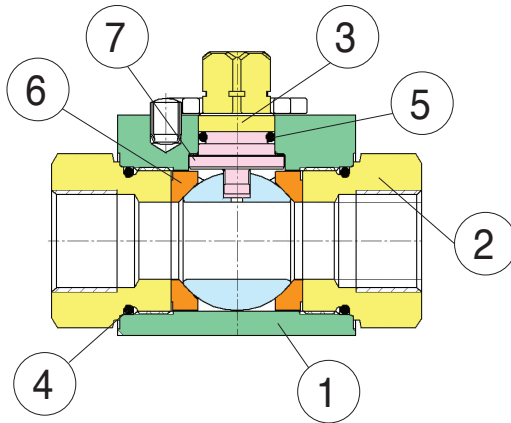
VALVE FEATURES

- Carbon Steel Full Port Ball Valve
- Available in NPT and SAE
- Full port, sizes 3/8" to 1"
- Blow out proof stem
- Pressure rating 7350 psi (3/8" to 1/2"), 5880 psi (3/4"), 5145 psi (1")
- Temperature range -20°F to 215°F

PRESSURE - TEMPERATURE CHART FOR SERIES 3200/3300

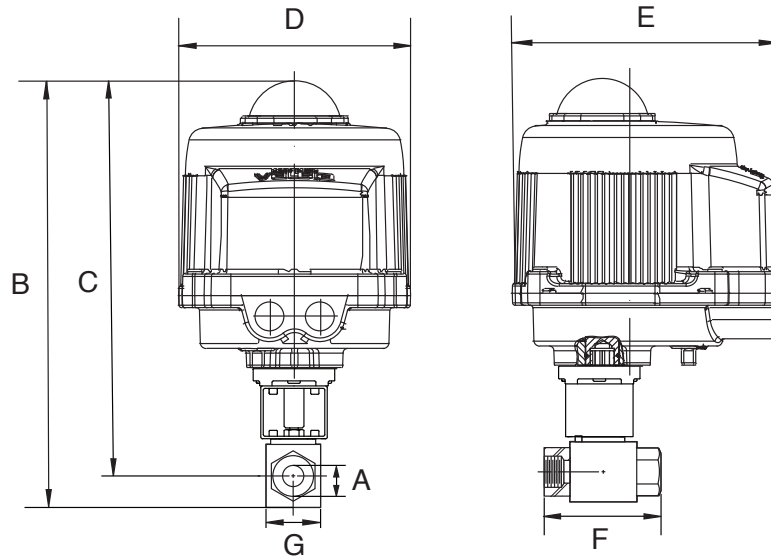


BILL OF MATERIALS FOR 3200/3300



N POS	PART NAME	MATERIAL	N PCS
1	BODY	OXIDE COATED CARBON STEEL	1
2	END FITTING	OXIDE COATED CARBON STEEL	2
3	STEM	COATED STEEL	1
4	O-RING	VITON®	1
5	STEM SEAL	VITON®	2
6	BALL SEAT	DELTRIN	2
7	THRUST WASHER	DELTRIN	1

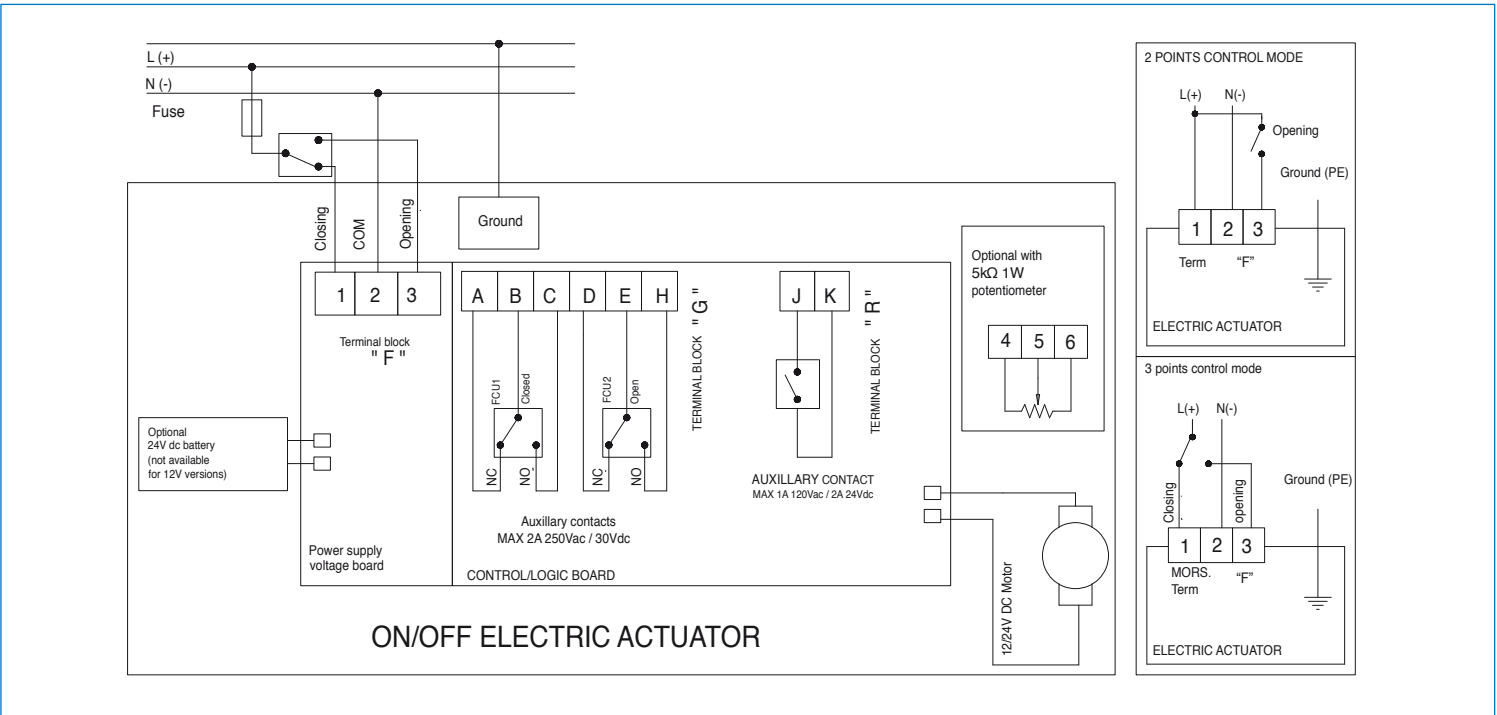
DIMENSIONS



Size	A	B	C	D	E	F	G	Act.
3/8" NPT	0.39	11.96	10.16	6.34	7.36	2.87	1.26	VB030M
9/16-18 SAE								
1/2" NPT	0.51	12.11	10.23	6.34	7.36	3.62	1.38	VB030M
3/4-16 SAE								
3/4" NPT	0.79	13.67	10.98	6.34	7.36	3.82	1.93	VB030M
1-1/16-12 SAE								
1" NPT	0.94	14.91	12.08	6.93	7.76	4.45	2.36	VB060M
1-5/16-12 SAE								

ON/OFF WIRING DIAGRAM - VB030M -VB060M

12V AC/DC, 24V AC/DC & 100-240VAC



POSITIONER WIRING DIAGRAM - VB030M -VB060M

12V AC/DC, 24V AC/DC & 100-240VAC

