



JOB NAME:	CONTRACTOR:
JOB LOCATION:	APPROVAL:
ENGINEER:	CONTRACTOR P.O.:
APPROVAL:	REPRESENTATIVE:

M8E3100-00*

3100 2-WAY STAINLESS STEEL, FNPT THREADED DIRECT MOUNT BALL VALVE WITH VALBIA METAL ELECTRIC ACTUATOR

SIZES 1/4" TO 2"

*001 12V AC/DC	*002 24V AC/DC	*003 100-240V AC
01 BATTERY BACKUP	*02* POSITIONER	*04* BATTERY BACKUP W POSITIONER

SPECIFICATIONS

The Bonomi M8E3000 series electric actuated package features a 3000psi stainless steel ball valve, with an ISO 5211 direct mount pad and square stem. The valve also features Delrin seats and an investment cast CF8M body.

The Valbia electric VBM metal housing actuator fits directly over the 3100 series square stem and ISO 5211 pad. The actuator also is standardly furnished with dual voltages, two extra limit switches, torque limiter, manual override, a dome position indicator, 1/2" conduit connections, 75% duty cycle motor, contained in a NEMA 4 cast aluminum powder coated housing.

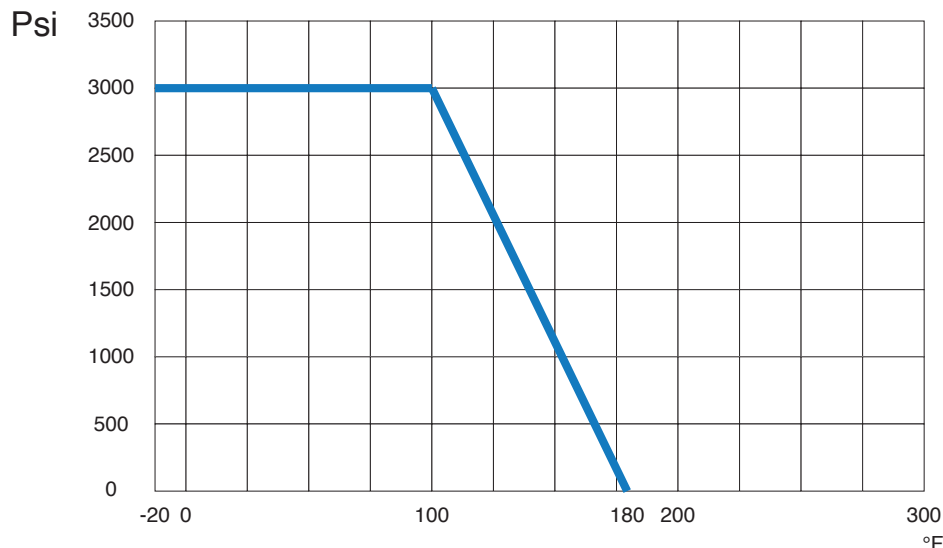
ACTUATOR FEATURES

- Dual Voltages
- CSA, UL approved
- 24V AC/DC and 100-240V AC Models Available
- ISO 5211 dual patterns
- 75% Duty Cycle
- Anti-condensation heater, (when red wire is connected to power)
- High-Strength, Die Cast Aluminum Powder Coated Housing
- Temperature Range -4°F to 131°F
- NEMA 4 Housing
- Two Auxiliary Switches Standard
- Torque limiter standard
- 1/2" conduit connection

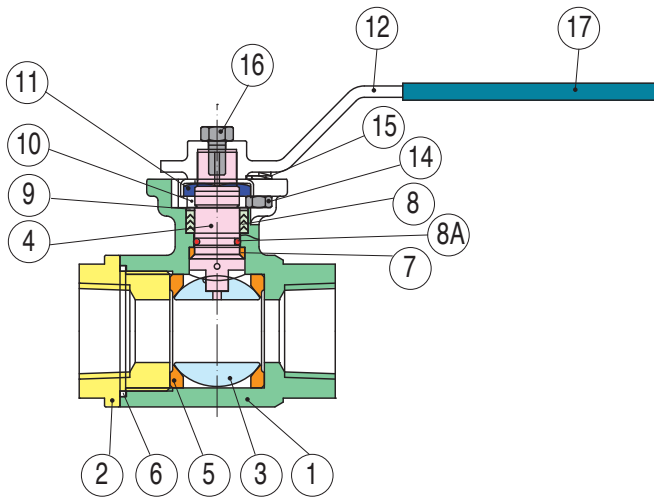
VALVE FEATURES

- 2-piece CF8M body
- Full port, sizes 1/4" to 1-1/2"
- Reduced port, sizes 2"
- Blow out proof stem/anti-static design
- Pressure rating 3000 psi (100°F)
- Temperature range -20°F to 185°F
- ISO 5211 mounting pad

PRESSURE - TEMPERATURE CHART FOR SERIES 3100



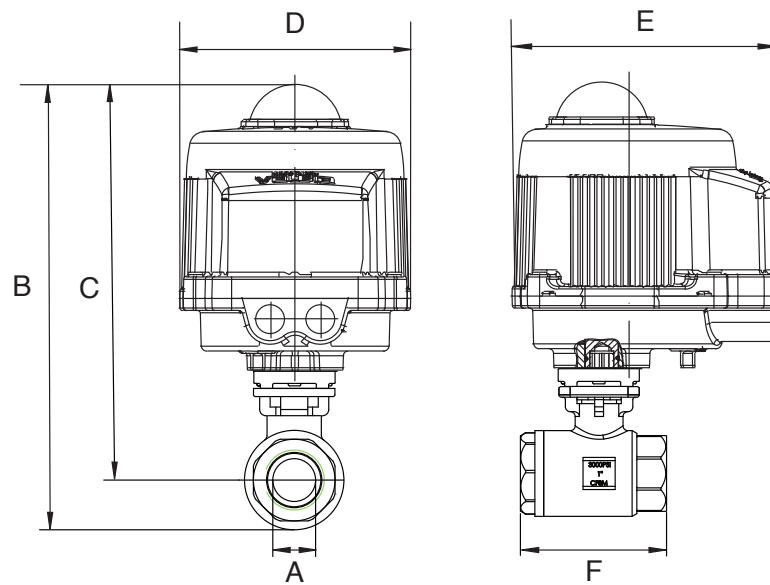
BILL OF MATERIALS FOR 3100



N POS	PART NAME	MATERIAL	N PCS
1	BODY	CF8M	1
2	END CAP	CF8M	1
3	BALL	CF8M	1
4	ANTI-STATIC STEM	SS 316	1
5	BALL SEAT	DELTRIN	2
6	BODY SEAL	P.T.F.E.	1
7	THRUST WASHER	P.T.F.E.	1
8	STEM PACKING	P.T.F.E.	1
8A	O-RING	VITON	1

N POS	PART NAME	MATERIAL	N PCS
9	THRUST WASHER	50% SS - 50% P.T.F.E.	1
10	STEM NUT	SS 304	1
11	LOCK SADDLE	SS 304	1
12	HANDLE	SS 304	1
13	STOP BOLT	SS 304	1
14	STOP NUT	SS 304	1
15	STOP WASHER	SS 304	1
16	HANDLE BOLD	SS 304	1
17	HANDLE SLEEVE	VINYL	1

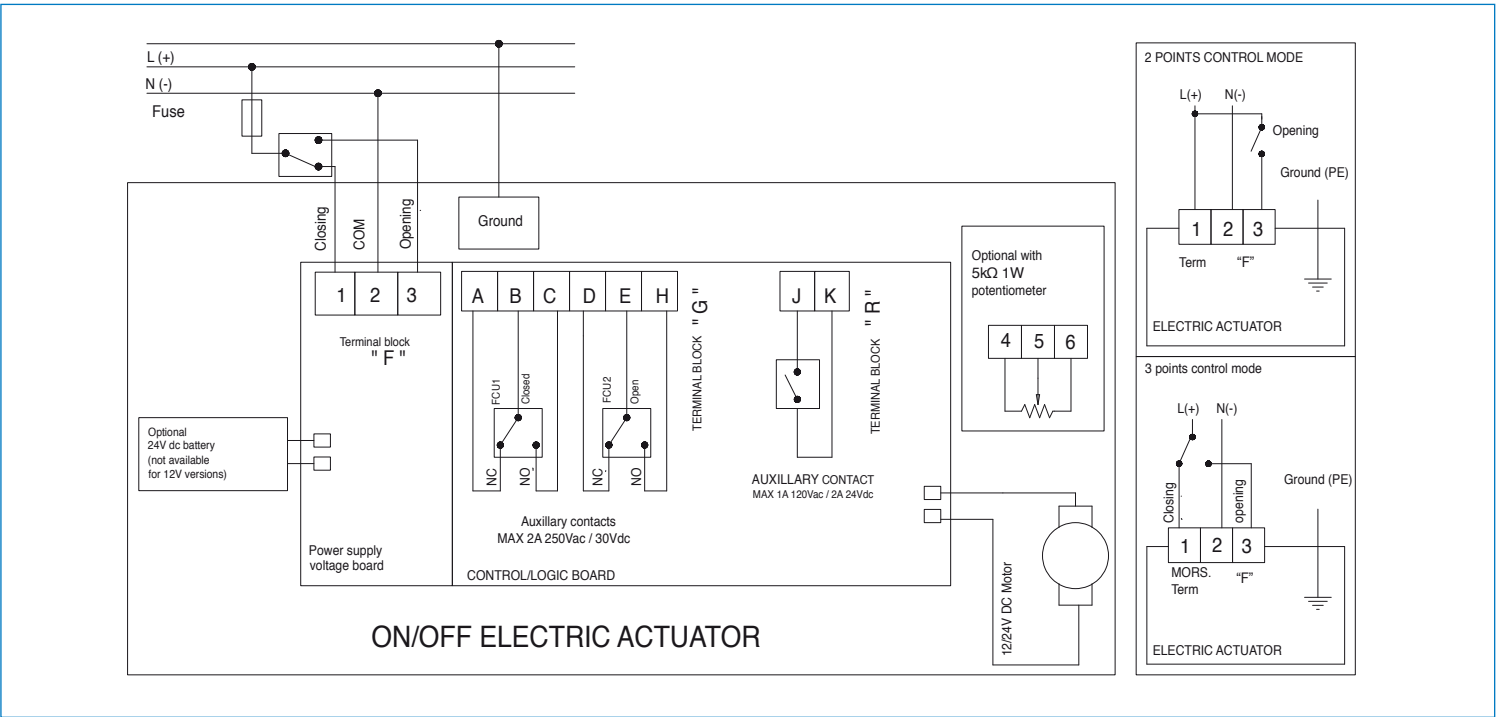
DIMENSIONS



Size	A	B	C	D	E	F	Act.
1/4"	0.38	10.76	9.44	6.34	7.39	2.95	VB030M
3/8"	0.38	10.76	9.44	6.34	7.36	2.95	VB030M
1/2"	0.5	11.59	10.27	6.34	7.36	2.95	VB030M
3/4"	0.69	11.79	10.38	6.34	7.36	3.19	VB030M
1"	0.87	11.67	9.94	6.34	7.36	3.58	VB030M
1-1/4"	1.14	12.88	10.98	6.93	7.76	4.33	VB060M
1-1/2"	1.37	14.04	11.62	6.93	7.76	4.76	VB060M
2"	1.37	14.04	11.62	6.93	7.76	5.71	VB060M

ON/OFF WIRING DIAGRAM - VB030M -VB060M

12V AC/DC, 24V AC/DC & 100-240VAC



POSITIONER WIRING DIAGRAM - VB030M -VB060M

12V AC/DC, 24V AC/DC & 100-240VAC

