



|               |                  |
|---------------|------------------|
| JOB NAME:     | CONTRACTOR:      |
| JOB LOCATION: | APPROVAL:        |
| ENGINEER:     | CONTRACTOR P.O.: |
| APPROVAL:     | REPRESENTATIVE:  |

## M8E3000-00 \*

**3000 2-WAY CARBON STEEL, FNPT THREADED DIRECT MOUNT BALL VALVE WITH VALBIA METAL ELECTRIC ACTUATOR**

**SIZES 1/4" TO 2"**

|                     |                 |                                  |
|---------------------|-----------------|----------------------------------|
| *001 12V AC/DC      | *002 24V AC/DC  | *003 100-240V AC                 |
| *01* BATTERY BACKUP | *02* POSITIONER | *04* BATTERY BACKUP W POSITIONER |

### SPECIFICATIONS

The Bonomi M8E3000 series electric actuated package features a 3000psi carbon steel ball valve, with an ISO 5211 direct mount pad and square stem. The valve also features Delrin seats and an investment cast WCB body.

The Valbia electric VBM metal housing actuator fits directly over the 3000 series square stem and ISO 5211 pad. The actuator also is standardly furnished with dual voltages, two extra limit switches, torque limiter, manual override, a dome position indicator, 1/2" conduit connections, 75% duty cycle motor, contained in a NEMA 4 cast aluminum powder coated housing.

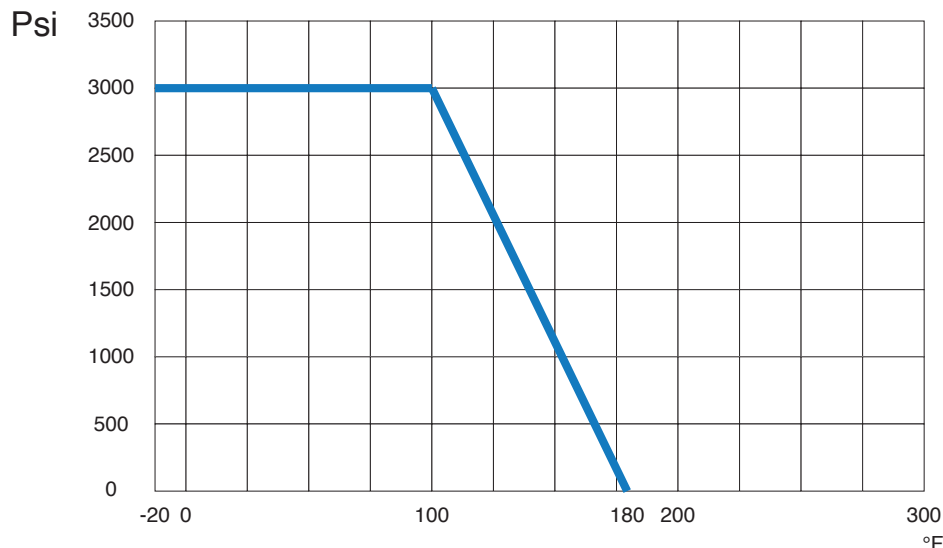
### ACTUATOR FEATURES

- Dual Voltages
- 24V AC/DC and 100-240V AC Models Available
- ISO 5211 dual patterns
- 75% Duty Cycle
- Anti-condensation heater, (when red wire is connected to power)
- High-Strength, Die Cast Aluminum Powder Coated Housing
- Temperature Range -4°F to 131°F
- NEMA 4 Housing
- Two Auxiliary Switches Standard
- Torque limiter standard
- 1/2" conduit connection

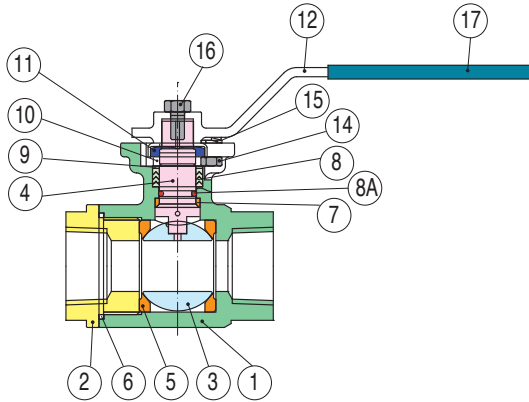
### VALVE FEATURES

- 2-piece WCB body
- Full port, sizes 1/4" to 1-1/2"
- Reduced port, sizes 2"
- Blow out proof stem/anti-static design
- Pressure rating 3000 psi (100°F)
- Temperature range -20°F to 185°F
- ISO 5211 mounting pad

### PRESSURE - TEMPERATURE CHART FOR SERIES 3000



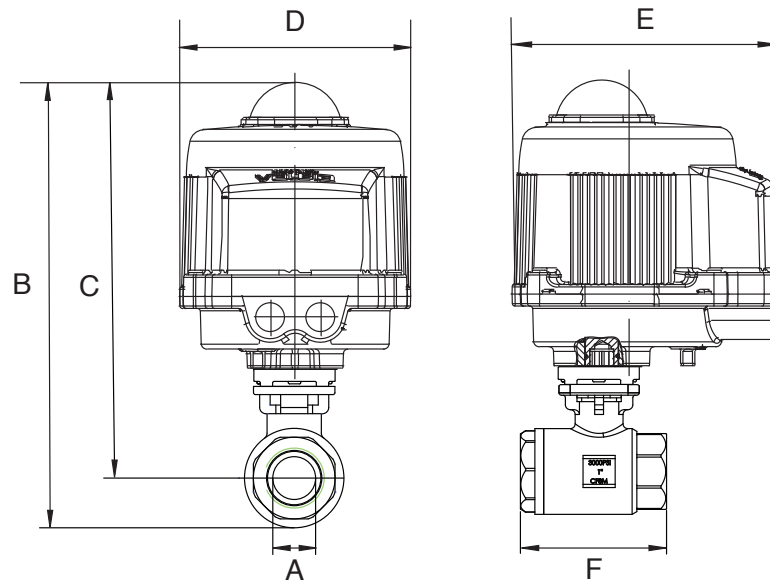
## BILL OF MATERIALS FOR 3000



| N POS | PART NAME        | MATERIAL | N PCS |
|-------|------------------|----------|-------|
| 1     | BODY             | WCB      | 1     |
| 2     | END CAP          | WCB      | 1     |
| 3     | BALL             | CF8M     | 1     |
| 4     | ANTI-STATIC STEM | SS 316   | 1     |
| 5     | BALL SEAT        | DELRIIN  | 2     |
| 6     | BODY SEAL        | P.T.F.E. | 1     |
| 7     | THRUST WASHER    | P.T.F.E. | 1     |
| 8     | STEM PACKING     | P.T.F.E. | 1     |
| 8A    | O-RING           | VITON    | 1     |

| N POS | PART NAME     | MATERIAL              | N PCS |
|-------|---------------|-----------------------|-------|
| 9     | THRUST WASHER | 50% SS - 50% P.T.F.E. | 1     |
| 10    | STEM NUT      | SS 304                | 1     |
| 11    | LOCK SADDLE   | SS 304                | 1     |
| 12    | HANDLE        | SS 304                | 1     |
| 13    | STOP BOLT     | SS 304                | 1     |
| 14    | STOP NUT      | SS 304                | 1     |
| 15    | STOP WASHER   | SS 304                | 1     |
| 16    | HANDLE BOLD   | SS 304                | 1     |
| 17    | HANDLE SLEEVE | VINYL                 | 1     |

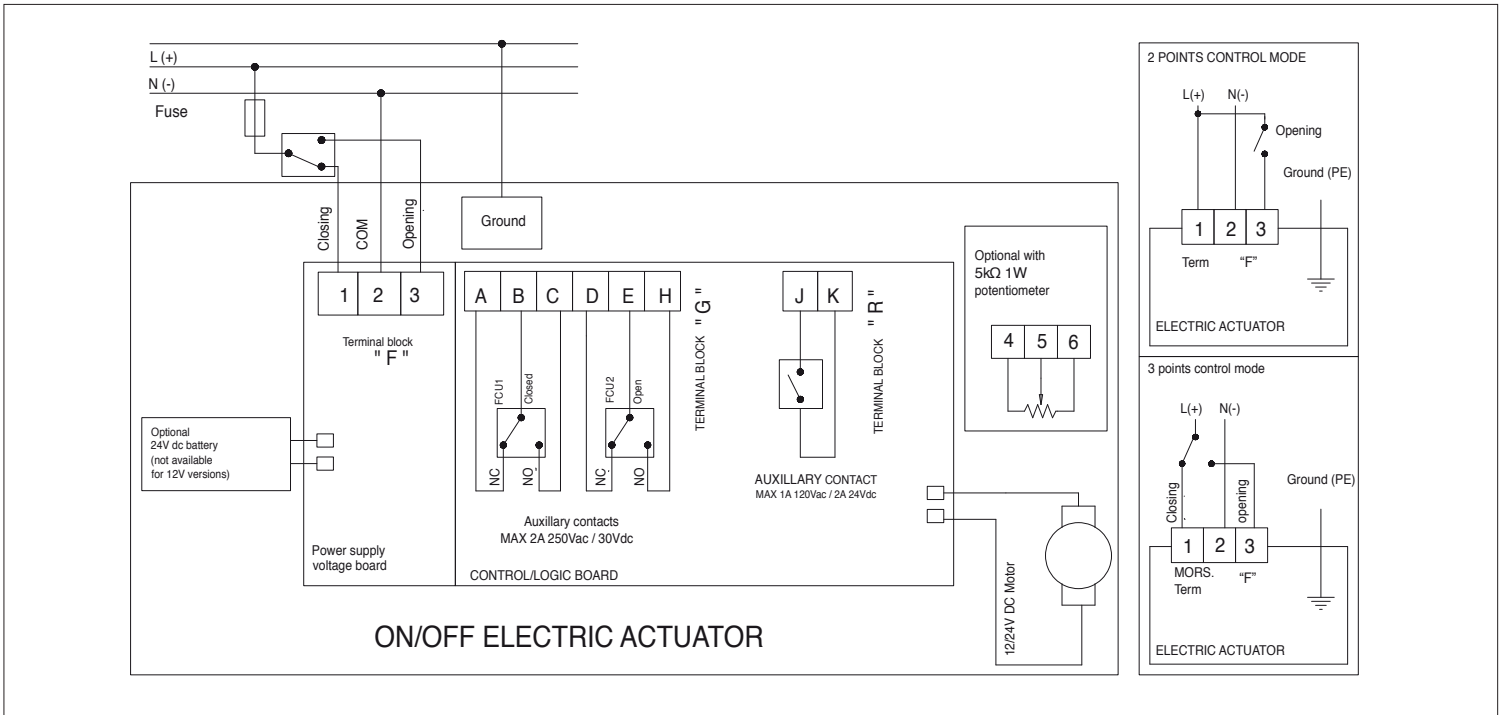
## DIMENSIONS



| Size        | 1/4"   | 3/8"   | 1/2"   | 3/4"   | 1"     | 1-1/4" | 1-1/2" | 2"     |
|-------------|--------|--------|--------|--------|--------|--------|--------|--------|
| <b>A</b>    | 0.38   | 0.38   | 0.50   | 0.69   | 0.87   | 1.14   | 1.37   | 1.37   |
| <b>B</b>    | 10.76  | 10.76  | 11.59  | 11.79  | 11.67  | 12.88  | 14.04  | 14.04  |
| <b>C</b>    | 9.44   | 9.44   | 10.27  | 10.38  | 9.94   | 10.98  | 11.62  | 11.62  |
| <b>D</b>    | 6.34   | 6.34   | 6.34   | 6.34   | 6.34   | 6.93   | 6.93   | 6.93   |
| <b>E</b>    | 7.39   | 7.36   | 7.36   | 7.36   | 7.36   | 7.76   | 7.76   | 7.76   |
| <b>F</b>    | 2.95   | 2.95   | 2.95   | 3.19   | 3.58   | 4.33   | 4.76   | 5.71   |
| <b>Act.</b> | VB030M | VB030M | VB030M | VB030M | VB030M | VB060M | VB060M | VB060M |

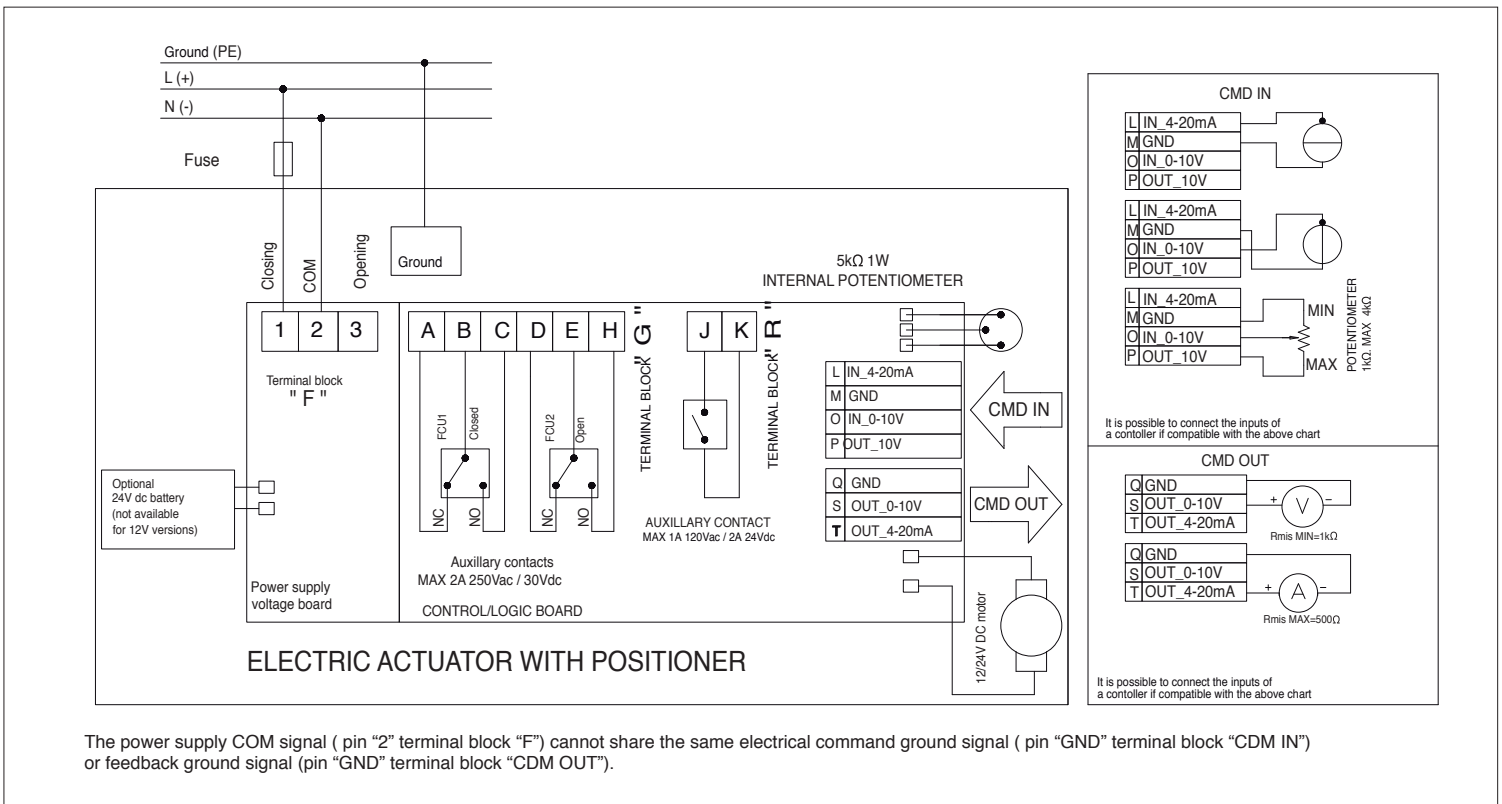
**ON/OFF WIRING DIAGRAM - VB030M -VB060M**

12V AC/DC, 24V AC/DC & 100-240VAC



**POSITIONER WIRING DIAGRAM - VB030M -VB060M**

12V AC/DC, 24V AC/DC & 100-240VAC



The power supply COM signal ( pin "2" terminal block "F" ) cannot share the same electrical command ground signal ( pin "GND" terminal block "CDM IN" ) or feedback ground signal ( pin "GND" terminal block "CDM OUT" ).