



JOB NAME:	CONTRACTOR:
JOB LOCATION:	APPROVAL:
ENGINEER:	CONTRACTOR P.O.:
APPROVAL:	REPRESENTATIVE:

M8E077

776032 3-WAY WAFER STYLE, BRACKET MOUNTED, CARBON STEEL DIVERTING BALL VALVE, "L" PORT, TWO SEATS, ANSI CLASS 150, REDUCED BORE WITH VALBIA METAL ELECTRIC ACTUATOR

SIZES 1/2" TO 4"

M8E086

776018 3-WAY WAFER STYLE, BRACKET MOUNTED, STAINLESS STEEL DIVERTING BALL VALVE, "L" PORT, TWO SEATS, ANSI CLASS 150, REDUCED BORE WITH VALBIA METAL ELECTRIC ACTUATOR

SIZES 1/2" TO 4"

*001 12V AC/DC	*002 24V AC/DC	*003 100-240V AC
01 BATTERY BACKUP	*02* POSITIONER	*04* BATTERY BACKUP W POSITIONER

SPECIFICATIONS

The Bonomi M8E077 series electric actuated package features a short profile, carbon steel, ANSI 150 Class 3-way L port ball valve. The 8E086 electric package has a stainless-steel version of the same.

The Valbia electric VBM metal housing actuator is standardly furnished with dual voltages, two extra limit switches, torque limiter, manual override, a dome position indicator, 1/2" conduit connections, 75% duty cycle motor, contained in a NEMA 4 cast aluminum powder coated housing.

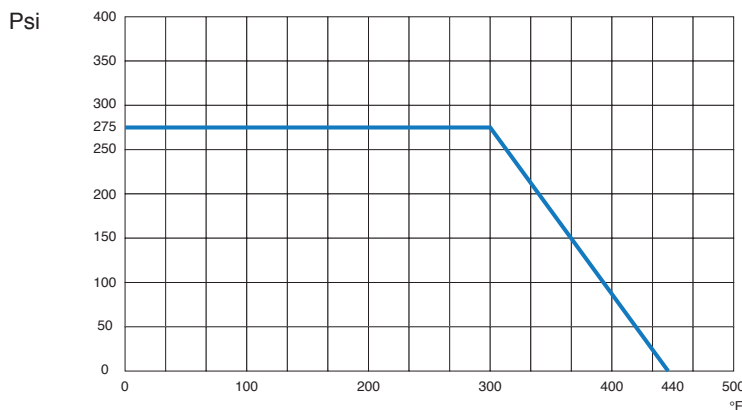
ACTUATOR FEATURES

- Dual Voltages
- 24V AC/DC and 100-240V AC
- ISO 5211 dual patterns
- 75% Duty Cycle
- High-Strength, Die Cast Aluminum Powder Coated Housing
- Temperature Range -4°F to 131°F
- NEMA 4 Housing
- Two Auxiliary Switches Standard
- Torque limiter standard
- 1/2" Conduit connections

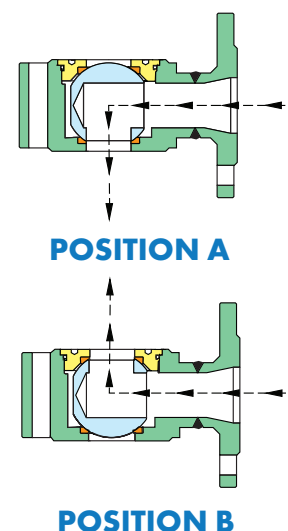
VALVE FEATURES

- ANSI Class 150, 3-way Diverter L port
- Compact design
- 776032 - Carbon Steel
- 776018 - Stainless Steel
- Sizes 1/2" to 4"
- Temperature range -4° F to 366° F.
- Blow out proof stem.
- R.P.T.F.E. seats, packing and thrust washer.
- 100% tested.
- TUV T.A. Luft approved.
- ISO 5211 mounting pad with double "D" stem

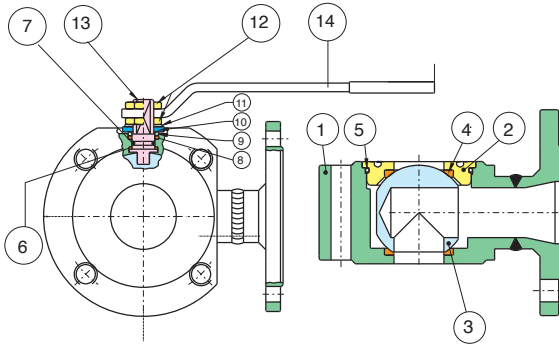
PRESSURE – TEMPERATURE CHART FOR SERIES 776018/776032



FLOW PATH



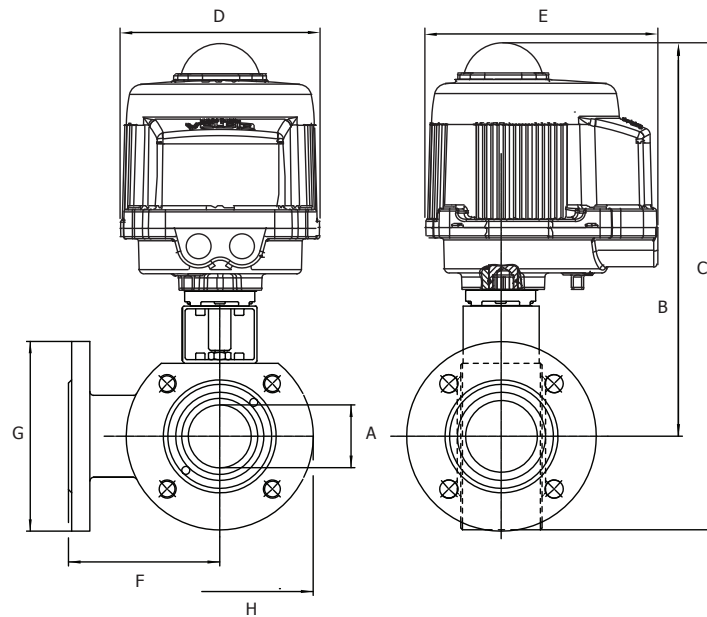
BILL OF MATERIALS



N POS	PART NAME	MATERIAL	N PCS
1	BODY	ASTM A105 / AISI 316	1
2	END CONNECTION	ASTM A105 / AISI 316	1
3	BALL	AISI 304 / AISI 316	1
4	BALL SEAT	R.P.T.F.E.	2
5	O-RING	FKM (Viton®)	1
6	THRUST WASHER	P.T.F.E.	1
7	O-RING	FKM (Viton®)	1

N POS	PART NAME	MATERIAL	N PCS
8	STEM SEAL	P.T.F.E.	1
9	PACKING GLAND	STEEL	1
10	END STOP	STEEL (1/2" - 2") STEEL (2-1/2" - 4")	2
11	SPRING WASHER	STEEL	2
12	NUT	STEEL	2
13	STEM	AISI 304 / AISI 316	1
14	HANDLE	STEEL	1

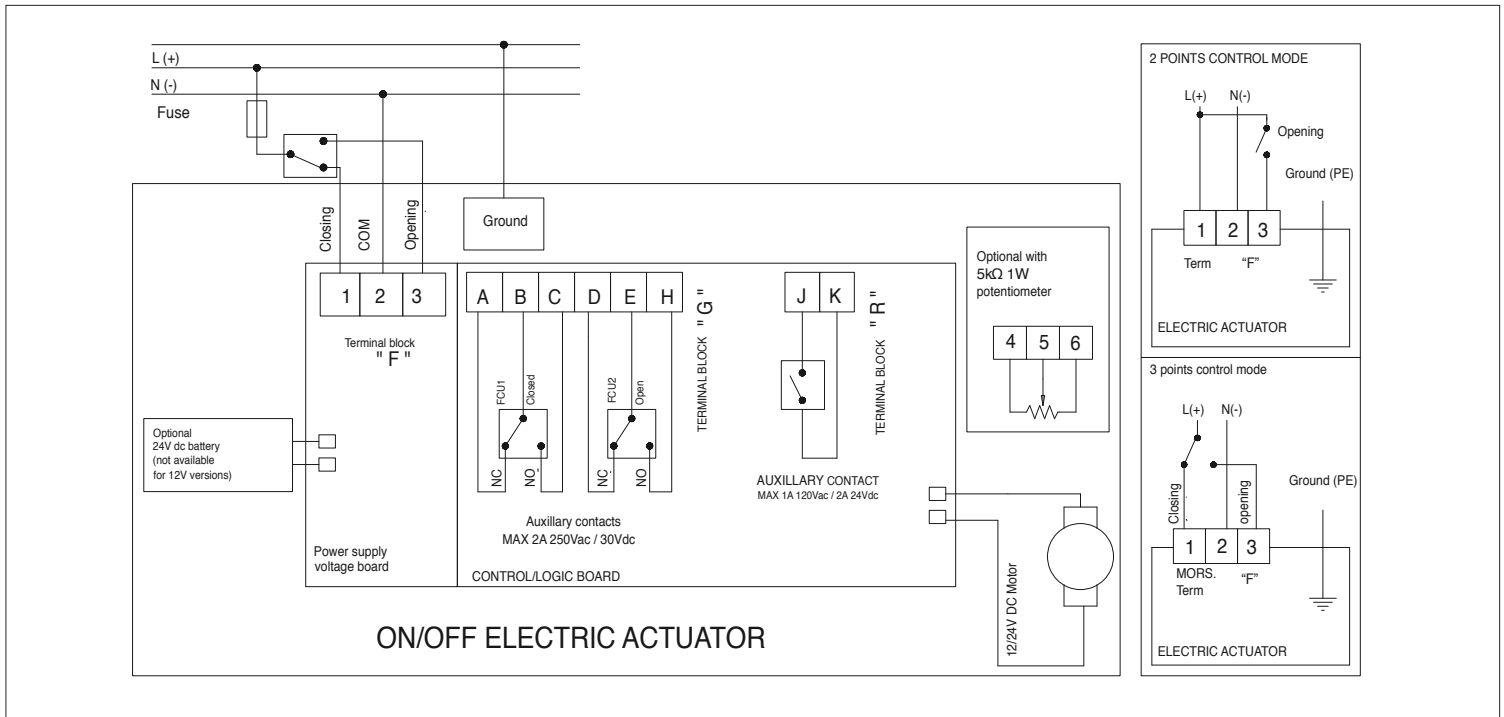
DIMENSIONS



Size	1/2"	3/4"	1"	1-1/4"	1-1/2"	2"	2-1/2"	3"	4"
A	0.39	0.59	0.78	0.98	1.26	1.57	1.97	2.50	2.99
B	11.39	11.72	12.43	12.70	14.59	15.22	19.14	19.94	21.63
C	9.90	10.09	10.50	10.67	12.12	14.47	15.83	16.31	17.30
D	6.34	6.34	6.34	6.34	6.93	6.93	10.63	10.63	10.63
E	7.36	7.36	7.36	7.36	7.76	7.76	10.47	10.47	10.47
F	2.99	3.23	3.39	3.94	4.13	4.53	4.92	5.91	6.26
G	3.54	3.94	4.33	4.72	5.12	5.91	7.09	7.48	9.06
H	3.54	3.94	4.33	4.72	5.12	5.91	7.09	7.48	9.06
Act.	VB030M	VB030M	VB030M	VB030M	VB060M	VB060M	VB110M	VB110M	VB190M

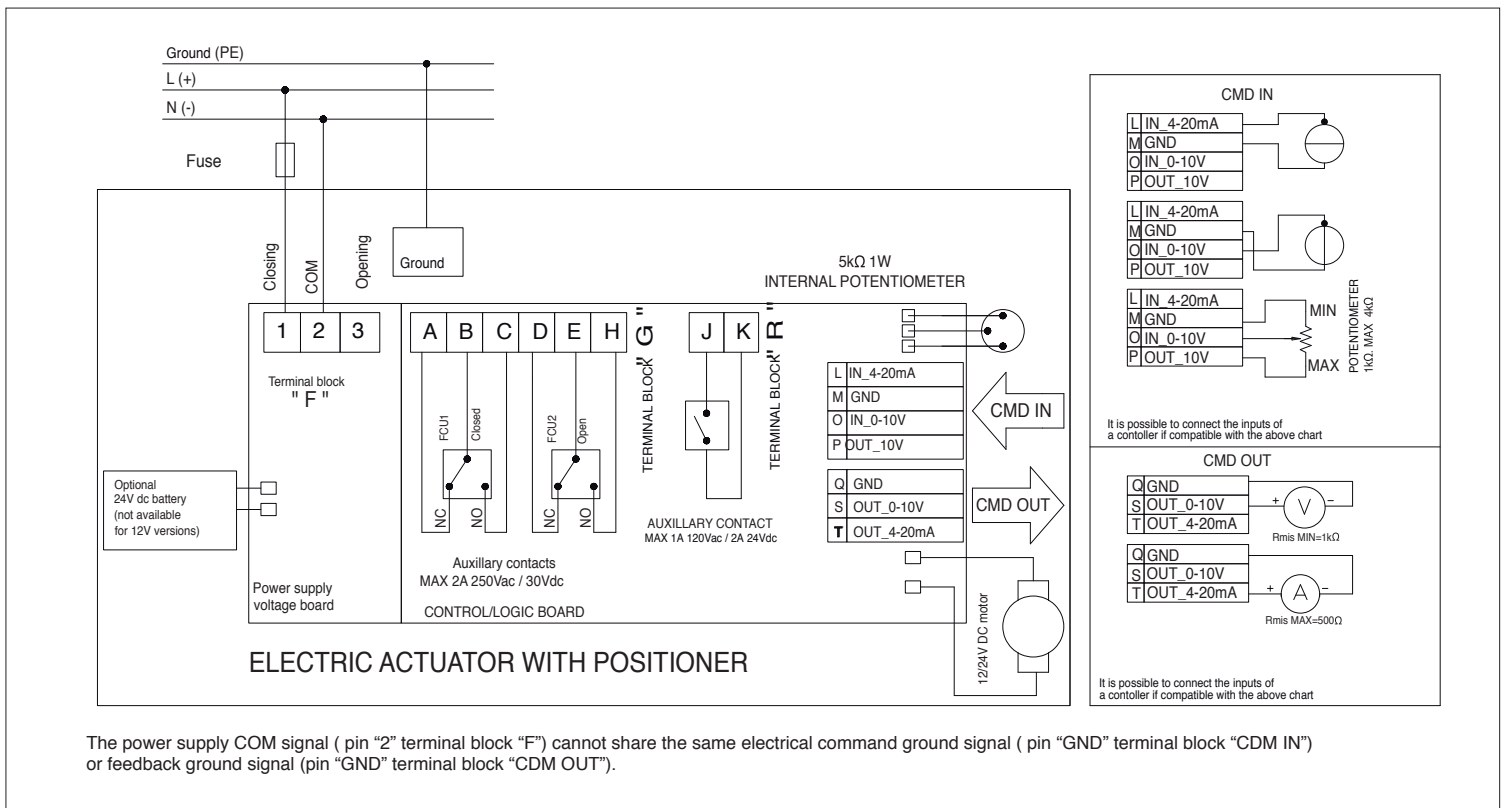
ON/OFF WIRING DIAGRAM - VB030 -VB190

12V AC/DC, 24V AC/DC & 100-240VAC



POSITIONER WIRING DIAGRAM - VB030 -VB190

12V AC/DC, 24V AC/DC & 100-240VAC



The power supply COM signal (pin "2" terminal block "F") cannot share the same electrical command ground signal (pin "GND" terminal block "CDM IN") or feedback ground signal (pin "GND" terminal block "CDM OUT").