



JOB NAME:	CONTRACTOR:
JOB LOCATION:	APPROVAL:
ENGINEER:	CONTRACTOR P.O.:
APPROVAL:	REPRESENTATIVE:

M8E071-00 *

956N FULL PORT DIRECT MOUNT, 3-WAY STAINLESS STEEL, "T" PORT BALL VALVE W/ METAL ELECTRIC ACTUATOR
SIZES 1/4" TO 2"

M8E072-00 *

966N FULL PORT DIRECT MOUNT, 3-WAY STAINLESS STEEL, "L" PORT BALL VALVE W/ METAL ELECTRIC ACTUATOR
SIZES 1/4" TO 2"

*001 12V AC/DC	*002 24V AC/DC	*003 100-240V AC
01 BATTERY BACKUP	*02* POSITIONER	*04* BATTERY BACKUP W POSITIONER

SPECIFICATIONS

The 8E071/8E072 series features the 956N (T-port) or 966N (L-port) in a 3-way ASTM A351-CF8M, full port ball valve, with four seats. The 956N/966N valve is also an ISO 5211 direct mount style, with four seats. The four seats allow one to use any port as an entry port and offers an optional straight through flow and shut-off capabilities. The VBM electric actuator has a NEMA 4 housing and features a raised position indicator. In addition, the VBM series also incorporates two extra limit switches, a heater and thermostat, 1/2" conduit connections and a 75% duty cycle motor.

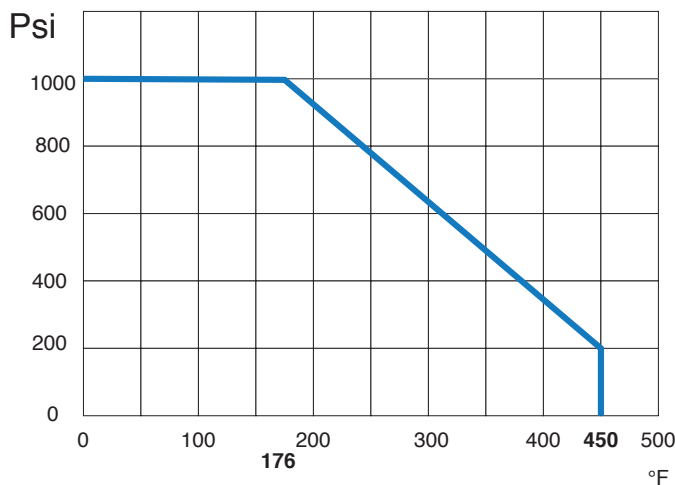
ACTUATOR FEATURES

- Dual Voltages
- 24V AC/DC and 100-240V AC Models Available
- ISO 5211, F03/F05 base with 11mm female drive
- 75% Duty Cycle
- Anti-condensation heater, (when red wire is connected to power)
- High-Strength, Die Cast Aluminum Powder Coated Housing
- Temperature Range -4°F to 131°F
- NEMA 4 Housing
- Two Auxiliary Switches Standard
- Torque limiter standard

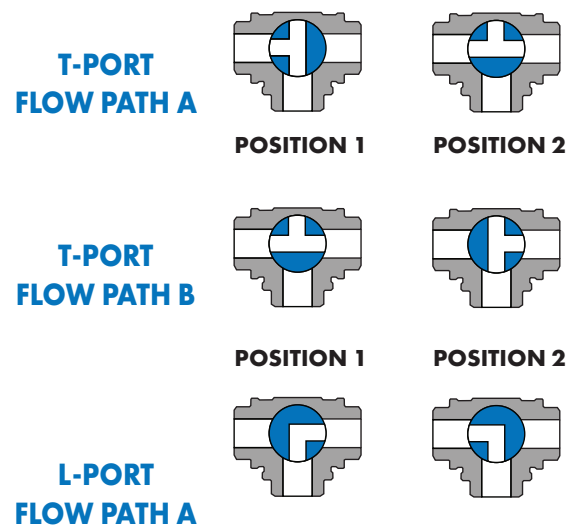
VALVE FEATURES

- CF8M Stainless Steel
- Full Port, Sizes 1/4" to 2"
- ISO 5211 pad and square stem
- Pressure rating to 1000psi (1/4" to 1"), 800 psi (1-1/4" to 2")
- Temperature range -4°F to 450°F
- Blow-out proof stem
- Self adjusting stem packing
- 100% electronically tested in the open and closed position@80 Psi

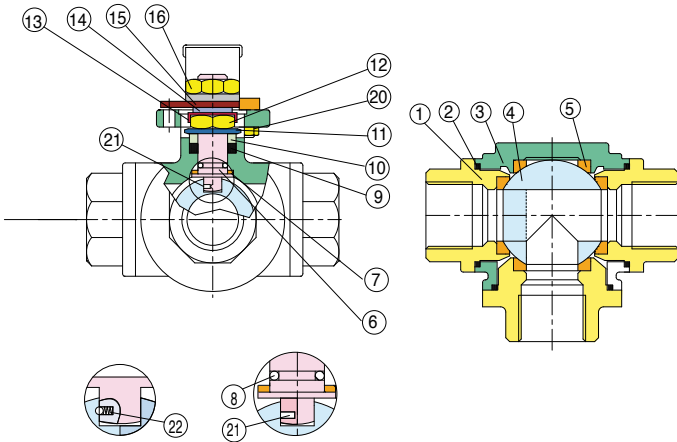
PRESSURE - TEMPERATURE CHART FOR SERIES 956N & 966N



FLOW PATH VARIATIONS



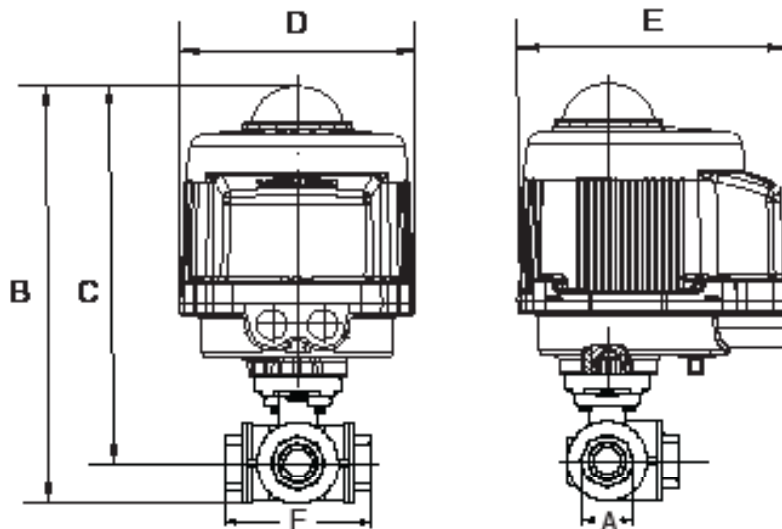
BILL OF MATERIALS FOR 956N & 966N



N POS	PART NAME	MATERIAL	N PCS
1	END CAP	A351 CF8M	3
2	GASKET	P.T.F.E.	3
3	BODY	A351 CF8M	1
4	BALL	SS316	1
5	SEATS	R.P.T.F.E.	4
6	STEM	SS316	1
7	STEM SEAL	R.P.T.F.E.	1
8	O-RING	FKM (Viton®)	1
9	STEM PACKING	P.T.F.E.	1
10	GLAND	SS304	1
11	DISK WASHER	SS301	2

N POS	PART NAME	MATERIAL	N PCS
12	STEM NUT	SS304	1
13	NUT STOP	SS304	1
14	SPACE WASHER	SS304	1
15	PLATE STOP	SS304	1
16	HANDLE NUT	SS304	1
17	HANDLE	SS304	1
18	HANDLE SLEEVE	VINYL	1
19	STOPPER	SS304	1
20	PIN NUT	SS304	1
21	INSERT PIN	SS316	1
22	ANTISTATIC DEVICE	SS316	1

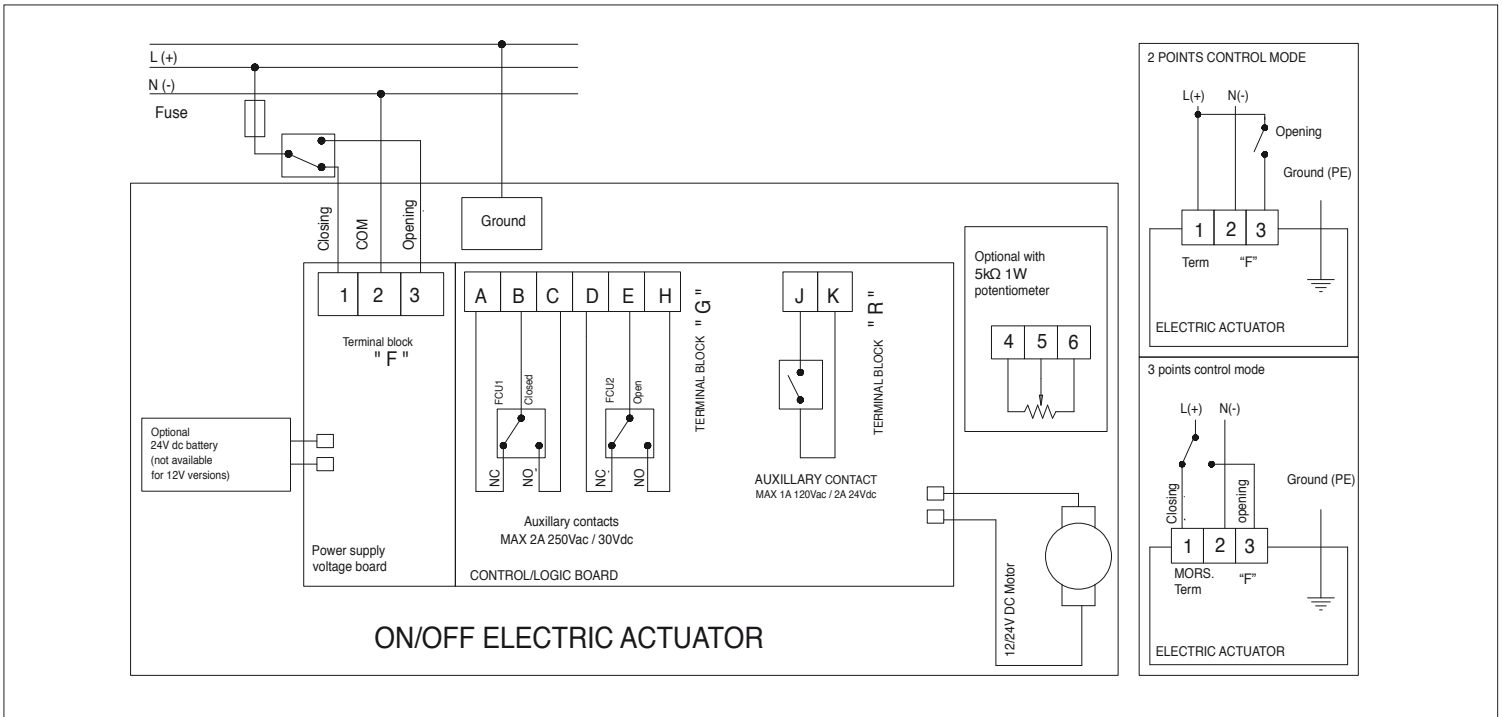
DIMENSIONS



Size	A	B	C	D	E	F	ACT.
1/4"	0.250	9.94	9.28	6.34	7.36	2.83	VB030M
3/8"	0.375	9.94	9.28	6.34	7.36	2.83	VB030M
1/2"	0.5	10.23	9.48	6.34	7.36	3.26	VB030M
3/4"	0.75	10.23	9.48	6.34	7.36	3.89	VB030M
1"	1.00	11.82	10.84	6.34	7.36	4.40	VB060M
1-1/4"	1.25	12.26	11.14	6.34	7.36	4.92	VB060M
1-1/2"	1.50	13.86	12.56	6.34	7.36	5.86	VB110M
2"	2.00	14.94	13.31	6.93	7.76	6.85	VB190M

ON/OFF WIRING DIAGRAM - VB030M -VB190M

12V AC/DC, 24V AC/DC & 100-240VAC



POSITIONER WIRING DIAGRAM - VB030M -VB190M

12V AC/DC, 24V AC/DC & 100-240VAC

