



JOB NAME:	CONTRACTOR:
JOB LOCATION:	APPROVAL:
ENGINEER:	CONTRACTOR P.O.:
APPROVAL:	REPRESENTATIVE:

## M8E067-0\*

**700076 DIRECT MOUNT, 2-WAY STAINLESS STEEL, FULL PORT BALL VALVE WITH VALBIA ELECTRIC ACTUATOR**

**SIZES 1/4" TO 3"**

*001	12V AC/DC	*002	24V AC/DC	*003	100-240VAC
*01*	BATTERY BACKUP	*02*	POSITIONER	*04*	BAT. BACKUP W POS

## SPECIFICATIONS

The 8E067 packed series is ideally suited for commercial and industrial applications, where space and reliability are at a premium.

The 8E067 package includes a stainless steel 1000 psi full port ball valve along with a Technopolymer housing electric motor.

The NEMA 4/4X motors incorporate dual voltages, 24AC/DC and 100-240VAC, and are standardly furnished with two extra limit switches, a heater and a thermostat, and a torque limiter for added protection.

The NEMA 4/4X housing is resistant to dusty areas and where water may be sprayed.

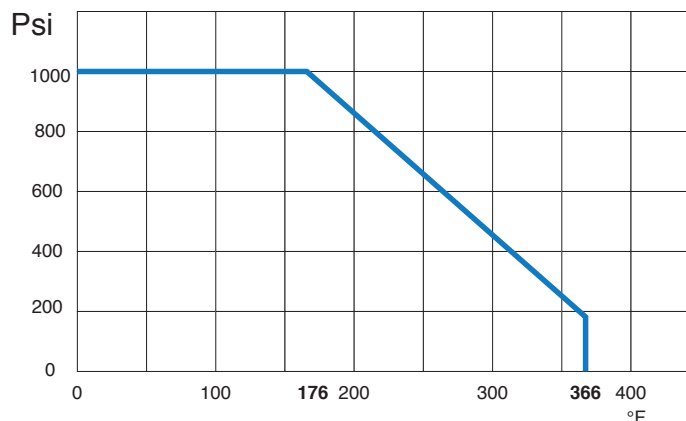
## ACTUATOR FEATURES

- Dual Voltages
- CSA, UL approved
- 24V AC/DC and 100-240V AC
- ISO 5211 dual patterns
- 75% Duty Cycle
- High-Strength, Die Cast Aluminum Powder Coated Housing
- Temperature Range -4°F to 131°F
- NEMA 4 Housing
- Two Auxiliary Switches Standard
- Torque limiter standard
- 1/2" Conduit connections

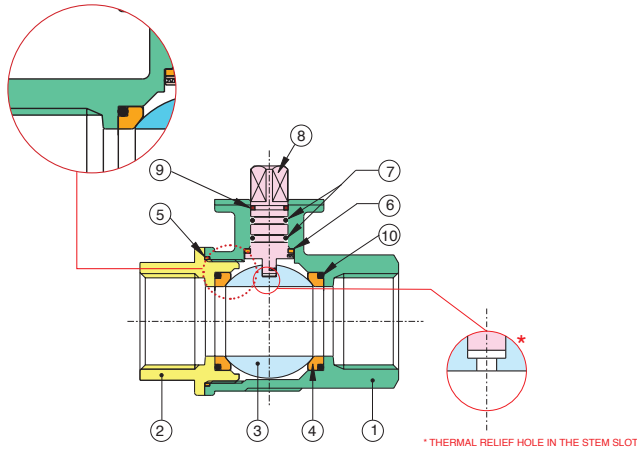
## VALVE FEATURES

- CF8M Stainless Steel
- Full Port, Sizes 1/4" to 3"
- ISO 5211 pad
- Pressure rating to 1000 psi, 150 psi steam
- Temperature -4°F to 366°F
- Blow out proof stem
- P.T.F.E. seats with O-ring backing for low operating torque
- P.T.F.E. seals and Double O-ring stem seal design for extended cycle life
- 100% electronically tested in the open and closed position @ 80 Psi
- Thermal Relief Protection

## PRESSURE TEMPERATURE CHART FOR 700076

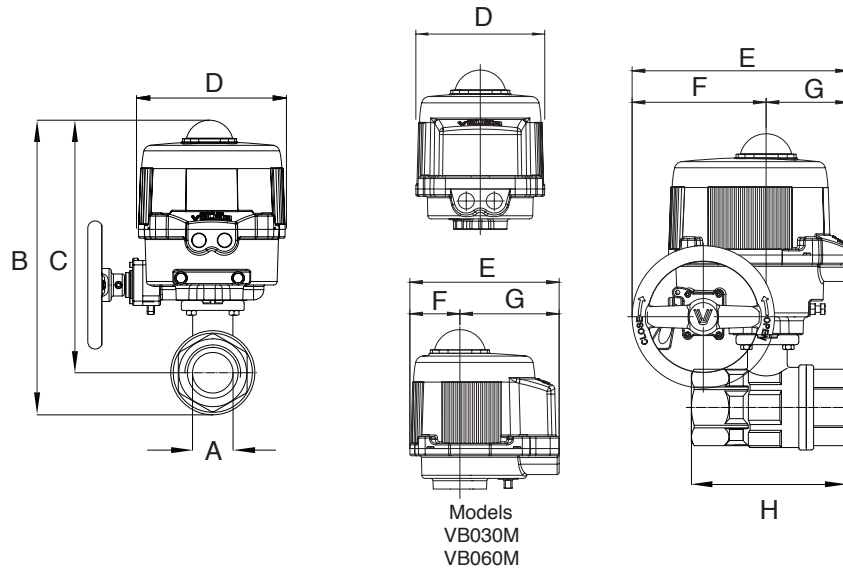


## BILL OF MATERIALS FOR 700076



N POS	PART NAME	MATERIAL	N PCS
1	BODY	CF8M	1
2	END CONNECTION	CF8M	1
3	BALL	AISI 316 - CF8M	1
4	BALL SEAT	P.T.F.E.	2
5	SEAL	P.T.F.E.	1
6	STEM SEAL	P.T.F.E.	1
7	O-RING	FKM (Viton®)	2
8	STEM	AISI 316	1
9	STEM SEAL	P.T.F.E.	1
10	O-RING	FKM (Viton®)	2

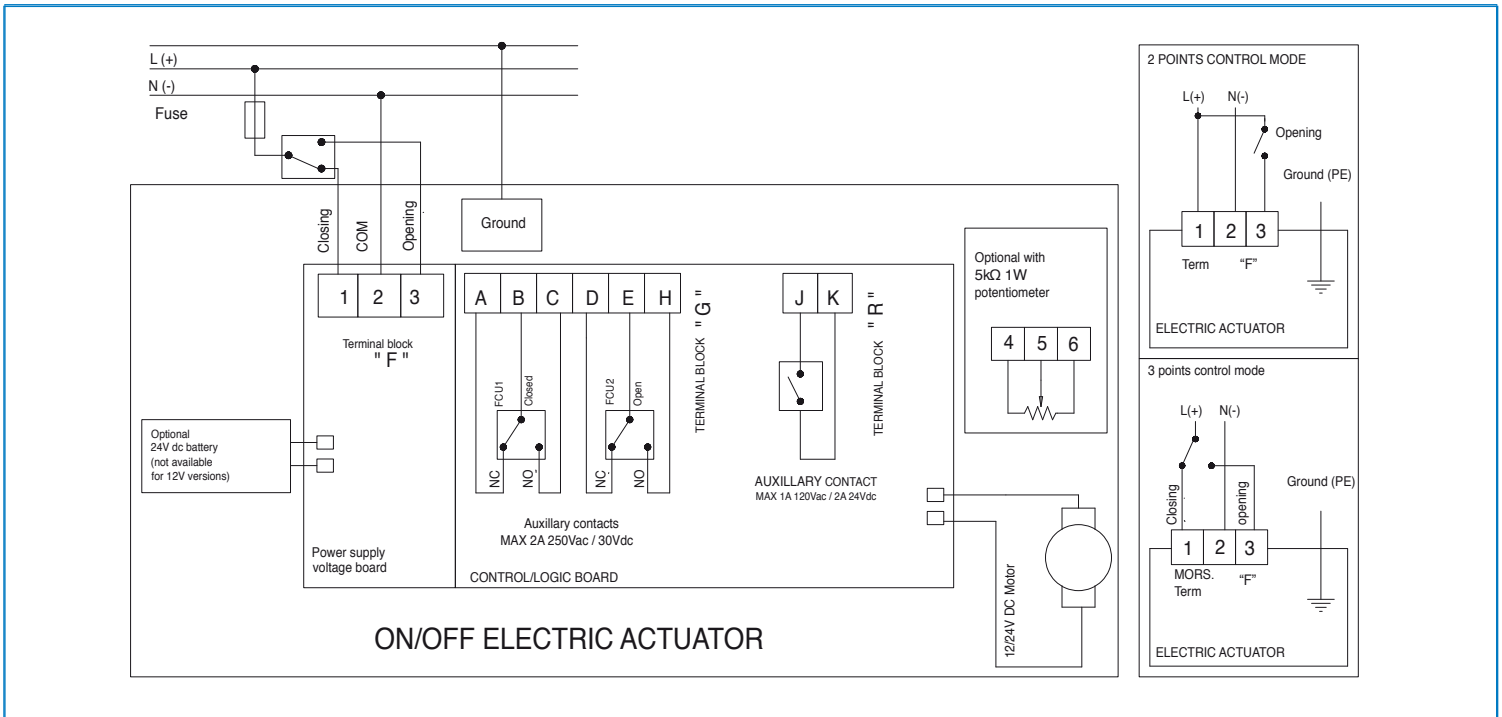
## DIMENSIONS



SIZE	A	B	C	D	E	F	G	H	ACT.
1/4"	0.25	9.81	9.35	6.34	7.36	2.48	4.88	2.56	VB030M
3/8"	0.38	9.81	9.35	6.34	7.36	2.48	4.88	2.56	VB030M
1/2"	0.50	9.49	9.11	6.34	7.36	2.48	4.88	2.63	VB030M
3/4"	0.75	9.60	9.19	6.34	7.36	2.48	4.88	3.07	VB030M
1"	1.00	10.11	9.58	6.34	7.36	2.48	4.88	3.54	VB030M
1-1/4"	1.25	10.29	9.72	6.34	7.36	2.48	4.88	3.93	VB030M
1-1/2"	1.50	11.05	10.31	6.34	7.36	2.48	4.88	4.40	VB030M
2"	2.00	11.52	10.67	6.34	7.36	2.48	4.88	5.31	VB030M
2-1/2"	2.50	14.22	12.94	6.93	7.76	2.48	5.28	6.32	VB060M
3"	3.00	14.68	13.29	6.93	7.76	2.48	5.28	7.01	VB060M

## ON/OFF WIRING DIAGRAM

12V AC/DC, 24V AC/DC & 100-240VAC



## POSITIONER WIRING DIAGRAM

12V AC/DC, 24V AC/DC & 100-240VAC

