



JOB NAME:	CONTRACTOR:
JOB LOCATION:	APPROVAL:
ENGINEER:	CONTRACTOR P.O.:
APPROVAL:	REPRESENTATIVE:

M8E064LF-00*

250NLF DIRECT MOUNT, 2-WAY LEAD FREE BRASS, FULL PORT BALL VALVE W METAL ELECTRIC ACTUATOR

SIZES 1/2" TO 2"

*001	12V AC/DC	*002	24V AC/DC	*003	100-240V AC
01	BATTERY BACKUP	*02*	POSITIONER	*04*	BATTERY BACKUP W POSITIONER

SPECIFICATIONS

Bonomi North America series M8E064LF lead-free brass automated ball valve package features a rugged NEMA 4 metal housing and a full port 600 psi lead free brass ball valve.

The electric actuator is loaded with extras such as: either a dual 100-240VAC or a 24AC/DC motor, a 12VDC option, two additional limit switches, a heat/thermostat, dome position indicator, dual ISO patterns, 75% duty cycle, 1/2" conduit connections and more.

The valve is the very popular 250NLF series, lead-free, full port, low torque, with double O-ring stem seals for temperature fluctuation protection. The 250NLF lead free ball valves come in sizes 1/2" -2", and is NSF 61/372 certified for potable water use.

The valve also features a four point ISO mounting pad, and a square stem for direct mounting.

The M8E064 series package can be mounted either vertically or horizontally without the damage to the stem area.

ACTUATOR FEATURES

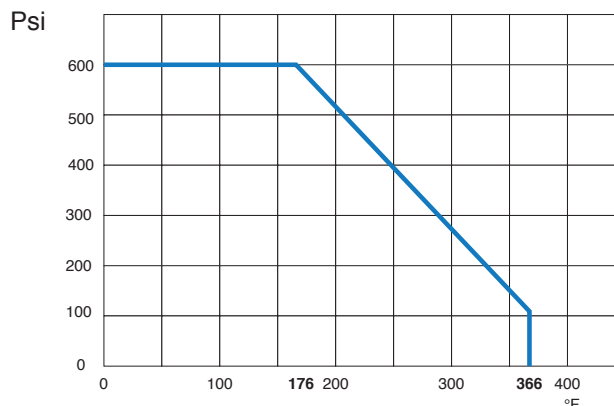
- Dual Motors
- 24V AC/DC and 100-240V AC Models Available
- ISO 5211, F03/F05 base with 11mm female drive
- 75% Duty Cycle
- Anti-condensation heater, (when red wire is connected to power)
- High-Strength, Die Cast Aluminum Powder Coated Housing
- Temperature Range -4°F to 131°F
- NEMA 4 Housing
- Two Auxiliary Switches Standard
- Torque limiter standard

VALVE FEATURES

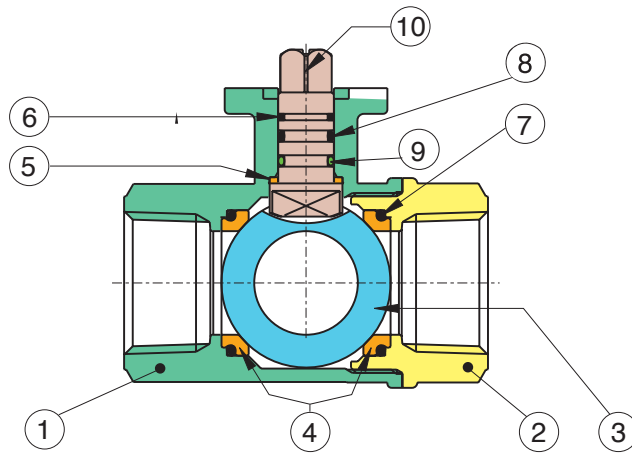
- Lead Free Brass
- Full Port, Sizes 1/4" to 2"
- ISO 5211 pad and square stem
- Pressure rating to 600 WOG
- Temperature range -4°F to 366°F
- Low torque design with back up O-ring seats
- Double O-ring stem seal design for extended cycle life
- 100% electronically tested in the open and closed position@80 Psi
- NSF 61/372



PRESSURE - TEMPERATURE CHART FOR SERIES 250NLF

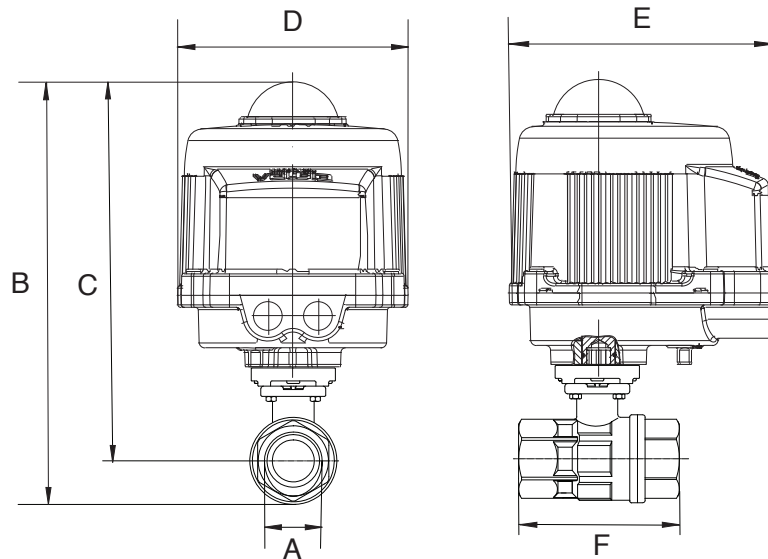


BILL OF MATERIALS FOR 250NLF



N POS	PART NAME	MATERIAL	N POS
1	BODY	LF BRASS C28500	1
2	END CONNECTION	LF BRASS C28500	1
3	BALL	LF BRASS C28500	1
4	BALL SEAT	P.T.F.E.	2
5	THRUST WASHER	P.T.F.E.	1
6	STEM SEAL	P.T.F.E.	1
7	O-RING	FKM (Viton®)	2
8	O-RING	EPDM	1
9	O-RING	FKM (Viton®)	1
10	STEM	LF BRASS C28500	1

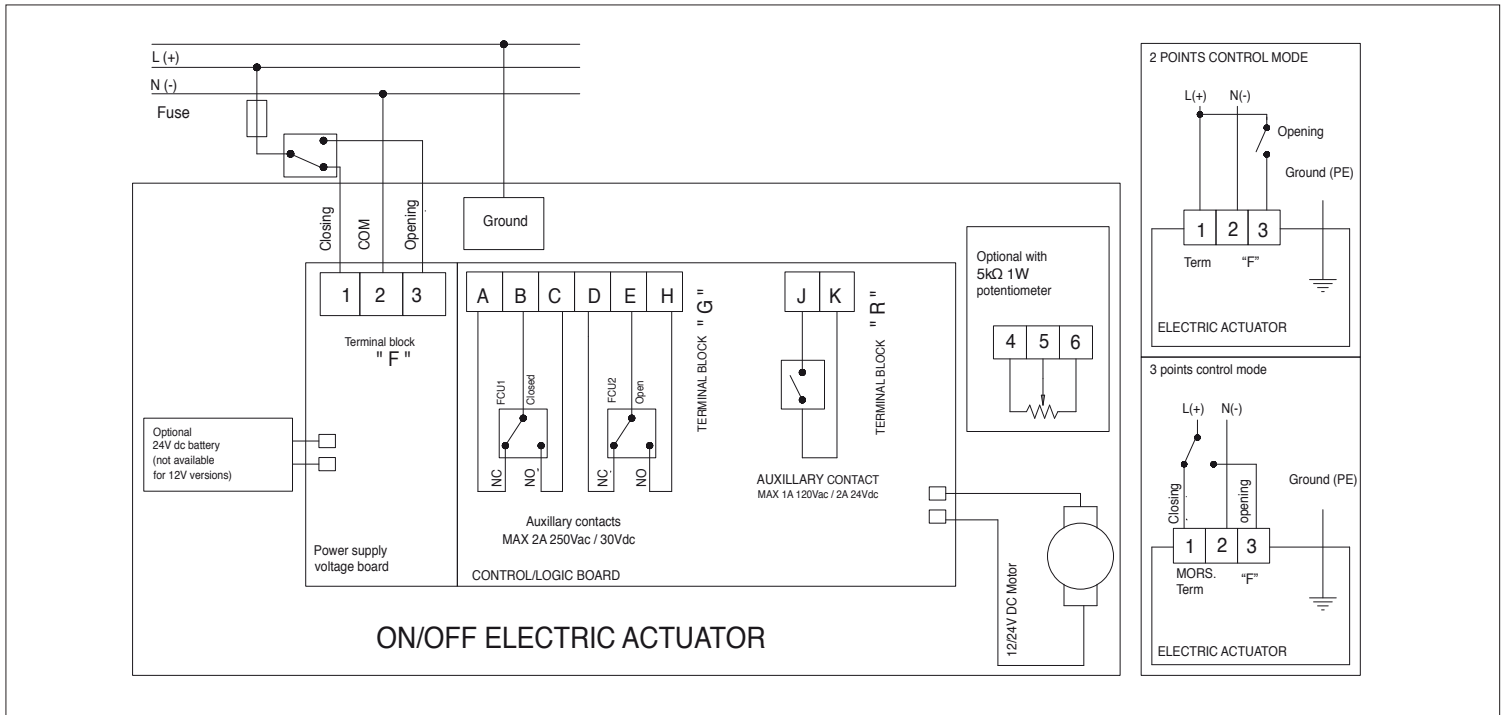
DIMENSIONS



Size	A	B	C	D	E	F	ACT.
1/2"	.500	9.77	9.09	6.34	7.36	2.64	VB030M
3/4"	.750	9.97	9.25	6.34	7.36	2.99	VB030M
1"	1.00	10.59	9.65	6.34	7.36	3.35	VB030M
1-1/4"	1.25	10.91	9.9	6.34	7.36	3.66	VB030M
1-1/2"	1.50	11.79	10.47	6.34	7.36	1.13	VB030M
2"	2.00	12.51	11.00	6.34	7.36	4.80	VB030M

ON/OFF WIRING DIAGRAM - VB030M

12V AC/DC, 24V AC/DC & 100-240VAC



POSITIONER WIRING DIAGRAM - VB030M

12V AC/DC, 24V AC/DC & 100-240VAC

